

DIGITAL SOUND PROJECTOR

YSP-600/HTY-760

SERVICE MANUAL

YSP-600/HTY-760

IMPORTANT NOTICE

This manual has been provided for the use of authorized YAMAHA Retailers and their service personnel. It has been assumed that basic service procedures inherent to the industry, and more specifically YAMAHA Products, are already known and understood by the users, and have therefore not been restated.

WARNING: Failure to follow appropriate service and safety procedures when servicing this product may result in personal injury, destruction of expensive components, and failure of the product to perform as specified. For these reasons, we advise all YAMAHA product owners that any service required should be performed by an authorized YAMAHA Retailer or the appointed service representative.

IMPORTANT: The presentation or sale of this manual to any individual or firm does not constitute authorization, certification or recognition of any applicable technical capabilities, or establish a principle-agent relationship of any form.

The data provided is believed to be accurate and applicable to the unit(s) indicated on the cover. The research, engineering, and service departments of YAMAHA are continually striving to improve YAMAHA products. Modifications are, therefore, inevitable and specifications are subject to change without notice or obligation to retrofit. Should any discrepancy appear to exist, please contact the distributor's Service Division.

WARNING: Static discharges can destroy expensive components. Discharge any static electricity your body may have accumulated by grounding yourself to the ground buss in the unit (heavy gauge black wires connect to this buss).

IMPORTANT: Turn the unit OFF during disassembly and part replacement. Recheck all work before you apply power to the unit.

CONTENTS

TO SERVICE PERSONNEL	2	DISPLAY DATA	53
FRONT PANELS	3	IC DATA	54-62
REAR PANELS	4-5	PIN CONNECTION DIAGRAMS	63
REMOTE CONTROL PANELS	6	BLOCK DIAGRAMS	64-65
SPECIFICATIONS / 参考仕様	7-8	PRINTED CIRCUIT BOARDS	66-74
INTERNAL VIEW	9	SCHEMATIC DIAGRAMS	75-79
SERVICE PRECAUTIONS / サービス時の注意事項	9	REPLACEMENT PARTS LIST	81-95
DISASSEMBLY PROCEDURES / 分解手順	10-23	REMOTE CONTROL	96-97
UPDATING FIRMWARE / ファームウェアの書き込み	24-31	ADJUSTING SYSTEM PARAMETERS / 拡張メニュー	98
SELF-DIAGNOSTIC FUNCTION / ダイアグ (自己診断機能)	32-52		



このサービスマニュアルは、エコマーク認定の再生紙を使用しています。
This Service Manual uses recycled paper.

101093

© 2008 YAMAHA CORPORATION All rights reserved.
This manual is copyrighted by YAMAHA and may not be copied or
redistributed either in print or electronically without permission.



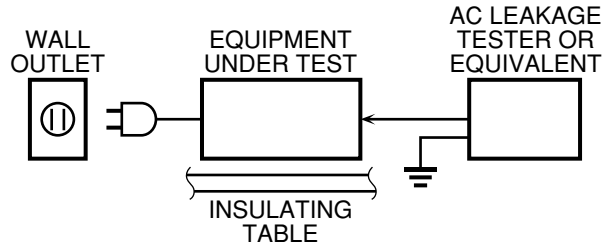
YAMAHA

YAMAHA CORPORATION
P.O.Box 1, Hamamatsu, Japan

'08.04

■ TO SERVICE PERSONNEL

1. Critical Components Information
Components having special characteristics are marked ⚠ and must be replaced with parts having specifications equal to those originally installed.
2. Leakage Current Measurement (For 120V Models Only)
When service has been completed, it is imperative to verify that all exposed conductive surfaces are properly insulated from supply circuits.
 - Meter impedance should be equivalent to 1500 ohms shunted by 0.15μF.



- Leakage current must not exceed 0.5mA.
- Be sure to test for leakage with the AC plug in both polarities.



For U model

“CAUTION”

“F501: FOR CONTINUED PROTECTION AGAINST RISK OF FIRE, REPLACE ONLY WITH SAME TYPE 4A, 125V FUSE.”

For C model

CAUTION

F501: REPLACE WITH SAME TYPE 4A, 125V FUSE.

ATTENTION

F501: UTILISER UN FUSIBLE DE RECHANGE DE MÊME TYPE DE 4A, 125V.

WARNING: CHEMICAL CONTENT NOTICE!

This product contains chemicals known to the State of California to cause cancer, or birth defects or other reproductive harm.

DO NOT PLACE SOLDER, ELECTRICAL/ELECTRONIC OR PLASTIC COMPONENTS IN YOUR MOUTH FOR ANY REASON WHAT SO EVER!

Avoid prolonged, unprotected contact between solder and your skin! When soldering, do not inhale solder fumes or expose eyes to solder/flux vapor!

If you come in contact with solder or components located inside the enclosure of this product, wash your hands before handling food.

About lead free solder / 無鉛ハンダについて

All of the P.C.B.s installed in this unit and solder joints are soldered using the lead free solder.

Among some types of lead free solder currently available, it is recommended to use one of the following types for the repair work.

- Sn + Ag + Cu (tin + silver + copper)
- Sn + Cu (tin + copper)
- Sn + Zn + Bi (tin + zinc + bismuth)

Caution:

As the melting point temperature of the lead free solder is about 30°C to 40°C (50°F to 70°F) higher than that of the lead solder, be sure to use a soldering iron suitable to each solder.

本機に搭載されているすべての基板およびハンダ付けによる接合部は無鉛ハンダでハンダ付けされています。

無鉛ハンダにはいくつかの種類がありますが、修理時には下記のような無鉛ハンダの使用を推奨します。

- ・ Sn+Ag+Cu(錫+銀+銅)
- ・ Sn+Cu(錫+銅)
- ・ Sn+Zn+Bi(錫+亜鉛+ビスマス)

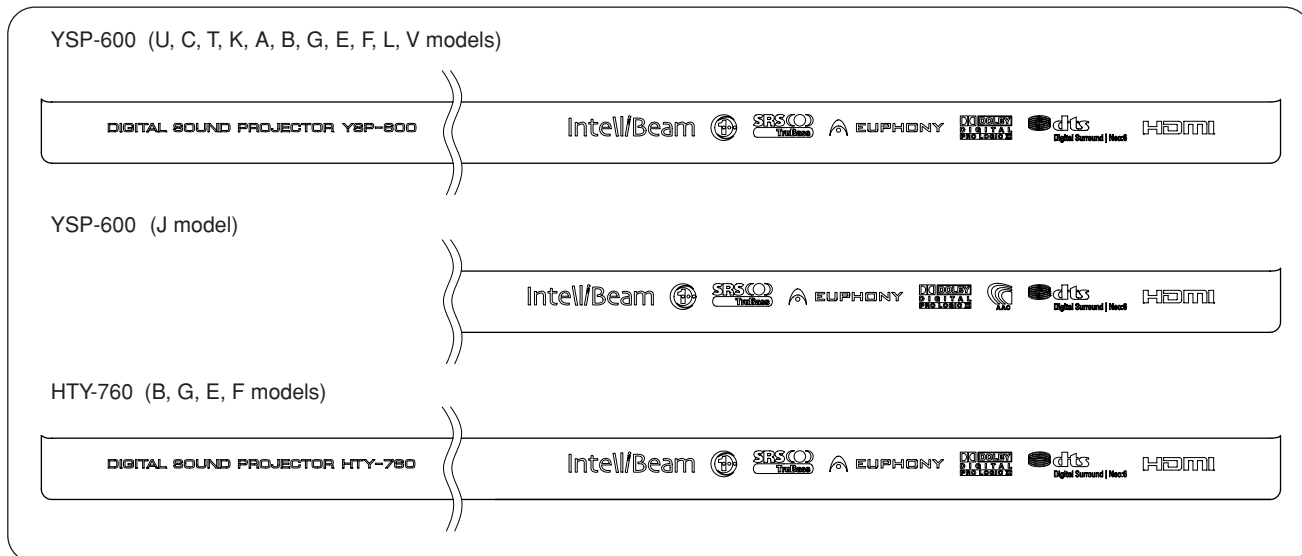
注意：

無鉛ハンダの融点温度は通常の鉛入りハンダに比べ30～40℃程度高くなっていますので、それぞれのハンダに合ったハンダごてをご使用ください。

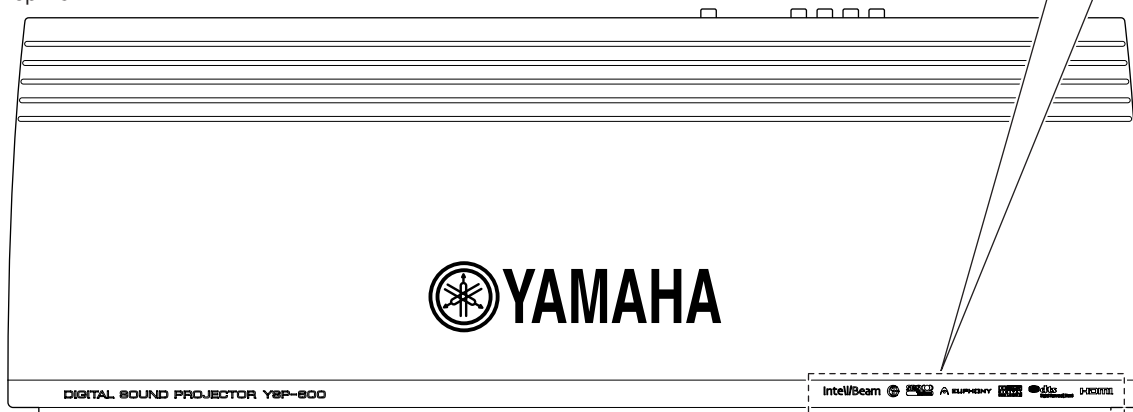
FRONT PANELS

YSP-600 (U, C, T, K, A, B, G, E, F, L, V, J models)

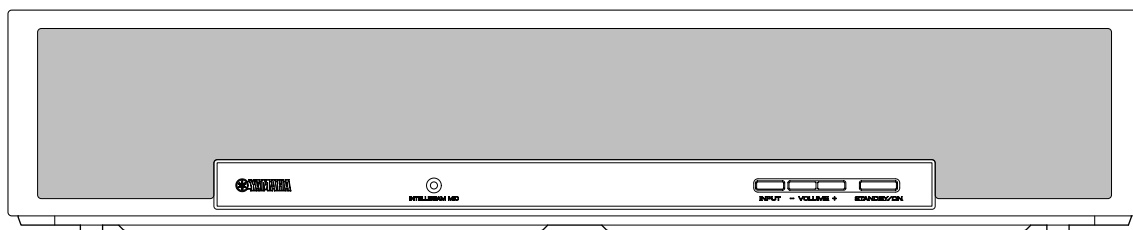
HTY-760 (B, G, E, F models)



Top view



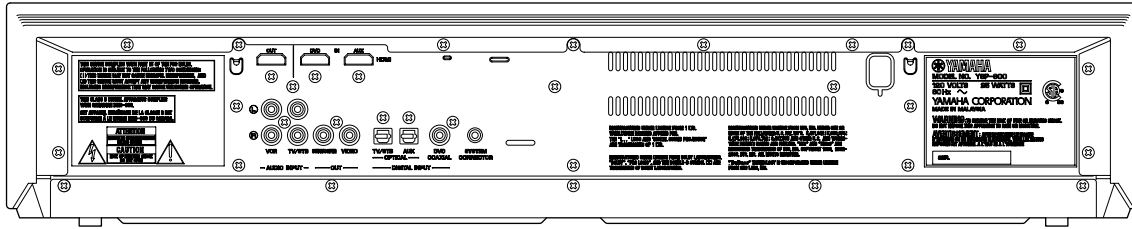
Front view



YSP-600/HTY-760

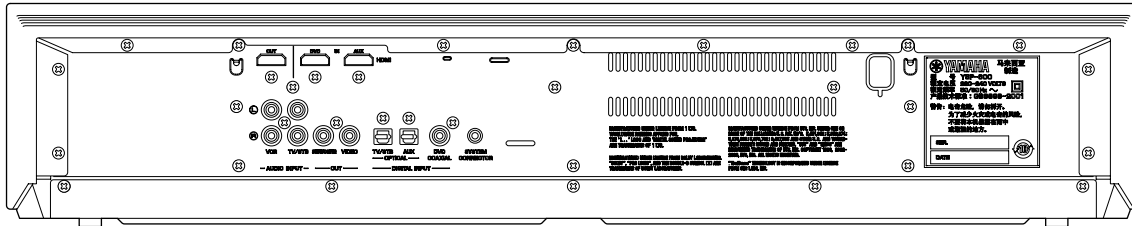
REAR PANELS

YSP-600 (U, C models)

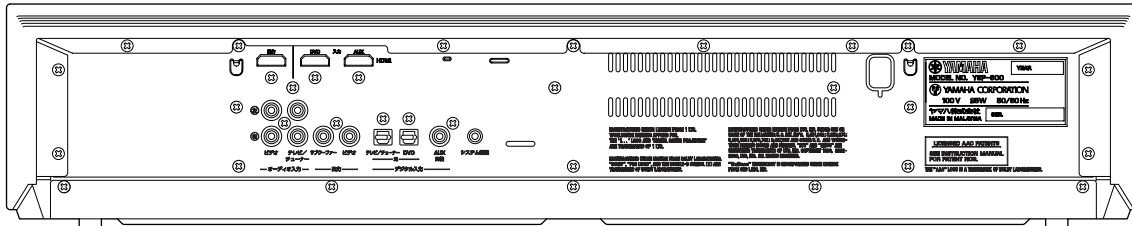


YSP-600 (T, K, A, B, G, E, F, L, V models)

HTY-760 (B, G, E, F models)



YSP-600 (J model)



YSP-600

(U, C models)

YAMAHA
 MODEL NO. YSP-600
 120 VOLTS 25 WATTS
 60 Hz ~

YAMAHA CORPORATION
 MADE IN MALAYSIA

WARNING: TO REDUCE THE RISK OF FIRE OR ELECTRIC SHOCK,
 DO NOT EXPOSE THIS APPLIANCE TO RAIN OR MOISTURE.
 AVERTISSEMENT: AFIN DE REDUIRE LE RISQUE
 D'INCENDIE OU DE DECHARGE ELECTRIQUE, VEUILLEZ NE PAS
 EXPOSER CET APPAREIL A L'EAU NI A L'HUMIDITE

SER. _____

(T model)

YAMAHA 马来西亚制造
 型号 YSP-600
 额定电压 220-240 VOLTS
 额定频率 50/60 Hz ~
 产品技术标准: GB8898-2001

警告: 电击危险, 请勿拆开。
 为了减少火灾或电击的风险,
 不要将本机暴露在雨中
 或潮湿的地方。

SER. _____

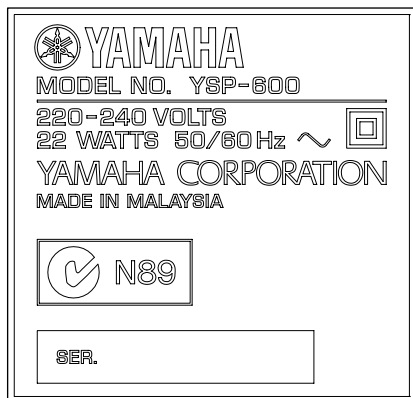
DATE _____

(K model)

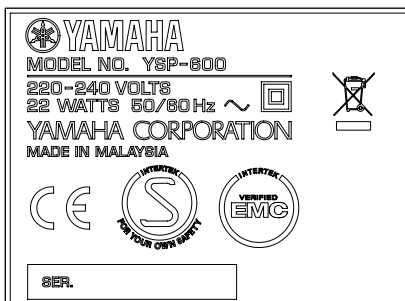
전기용품안전인증표시사항
YAMAHA 모델명 YSP-600
 제품명 : 엘프내장형스피커
 정격전압: AC 220-240 VOLTS
 소비전력: 22 W 50/60 Hz ~
 제조자 : YAMAHA ELECTRONICS MANUFACTURING (M) SDN. BHD.
 A/S : 080-004-0022
 MADE IN MALAYSIA

SER. _____

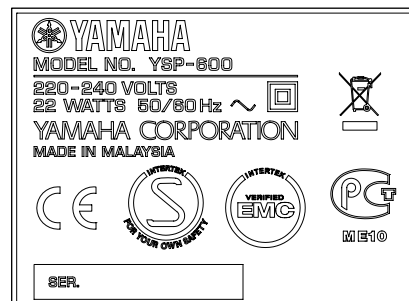
(A model)



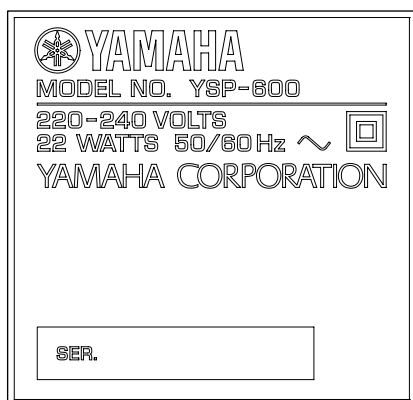
(B model)



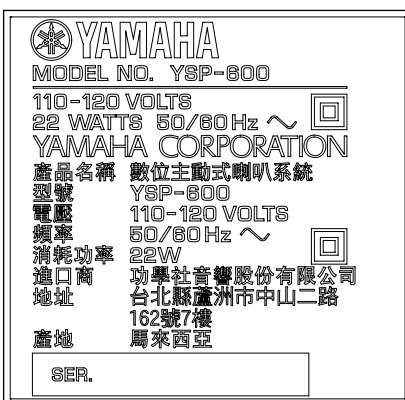
(G, E, F models)



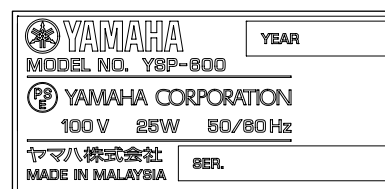
(L model)



(V model)

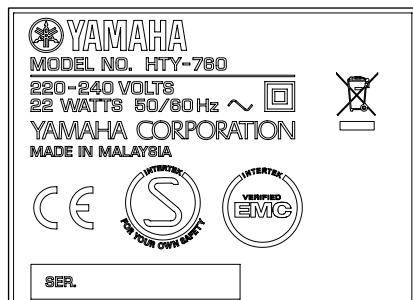


(J model)

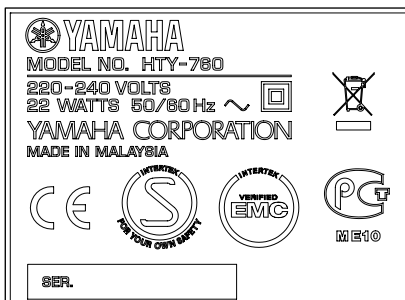


HTY-760

(B model)



(G, E, F models)

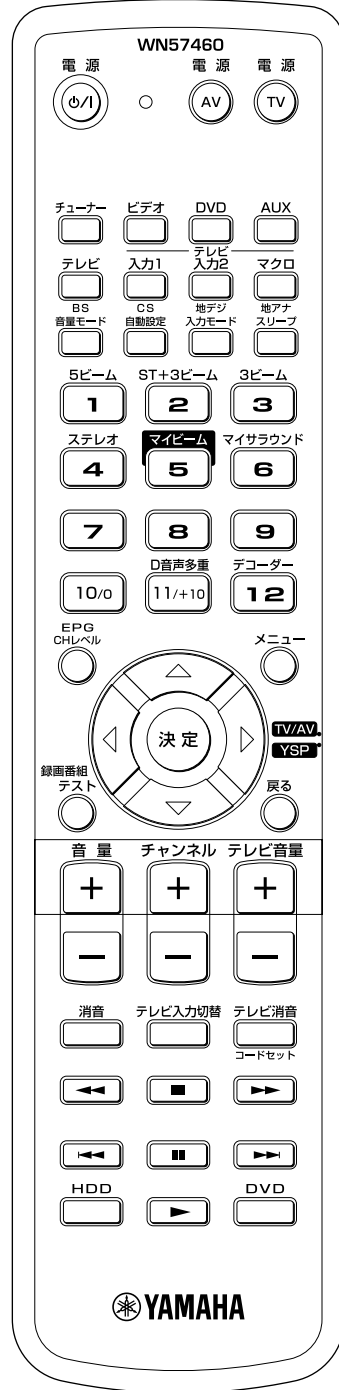
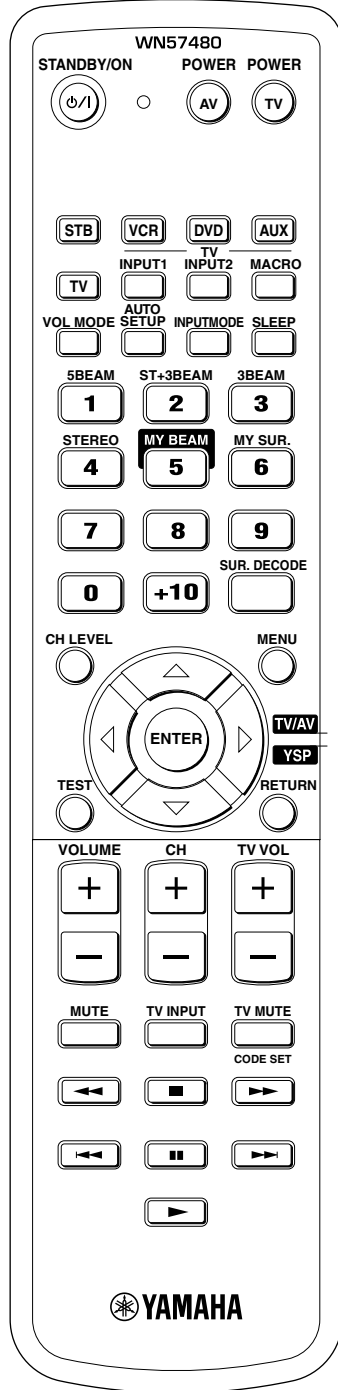
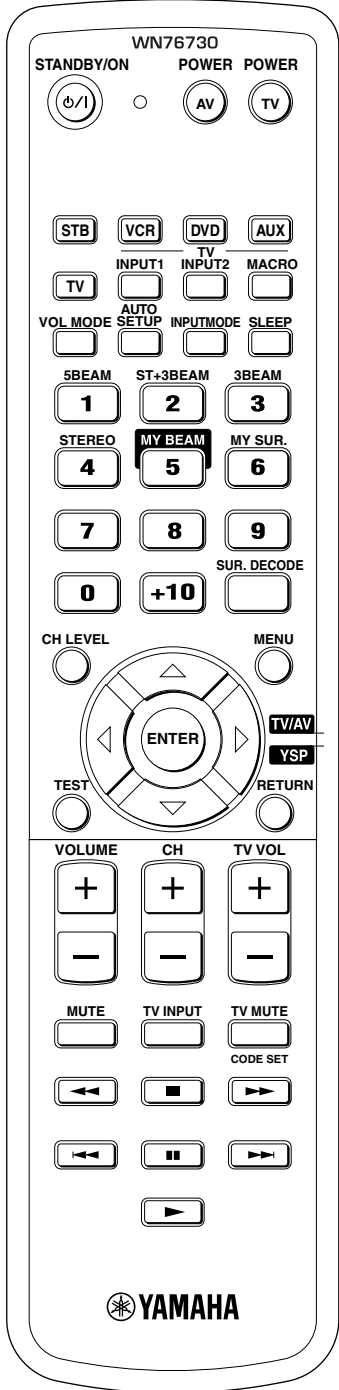


REMOTE CONTROL PANELS

YSP-600
(U model)

YSP-600
(C, T, K, A, B, G, E, F, L, V models)
HTY-760
(B, G, E, F models)

YSP-600
(J model)



YSP-600/HTY-760

■ SPECIFICATIONS / 参考仕様

■ Amplifier Section / アンプ部

Maximum Power / 実用最大出力 (EIAJ) [4 ohms, 10% THD]	
Woofer [100 Hz]	15 W/ch
Tweeter [1 kHz]	2 W/ch
Total Maximum Output Power / 総合最大出力 62 W	
Minimum RMS Output Power / 定格出力 [4 ohms, 0.9% THD]	
Woofer [100 Hz]	10 W/ch
Tweeter [1 kHz]	1.7 W/ch
Input Sensitivity/Impedance / 入力感度/インピーダンス	
Analog input	1.0 Vrms / 32 k-ohms
Maximum Input Signal / 最大許容入力 [1 kHz, 0.5% THD]	
Analog input	2.2 Vrms or more

Output Level/Impedance / 出力電圧/出力インピーダンス	
Woofer PRE OUT	1.5 Vrms / 1.1 k-ohms (less than 120 Hz)
Total Harmonic Distortion / 全高調波歪率 [1 W]	
Woofer [100 Hz]	0.2% or less
Tweeter [1 kHz]	0.1% or less

■ Video Section / ビデオ部

OSD Out / OSD出力	1 Vp-p/75 ohms
------------------------------	----------------

■ Speaker Section / スピーカー部

Type / 型式	2-way acoustic suspension Magnetic shielding type
------------------------	--

Driver / スピーカーユニット	
Woofer	8 cm (3") cone x 2
Tweeter	2.8 cm (1") cone x 16

Frequency Response / 再生周波数帯域	
-10 dB, STEREO mode	65 Hz to 20 kHz

Crossover Frequency / クロスオーバー周波数	
Beam channel	500 Hz
Stereo channel	Full range (woofer)

■ Input/Output / 入力/出力

Audio Input Jack / 入力端子

Analog	
U, C, T, K, A, B, G, E, F, L, V models	TV/STB, VCR
J model	テレビ/チューナー、ビデオ
Digital (optical) (Fs= 32 / 44.1 / 48 / 64 / 88.2 / 96 kHz)	
U, C, T, K, A, B, G, E, F, L, V models	TV/STB, AUX
J model	テレビ/チューナー、DVD
Digital (coaxial) (Fs= 32 / 44.1 / 48 / 64 / 88.2 / 96 kHz)	
U, C, T, K, A, B, G, E, F, L, V models	DVD
J model	AUX

Output Jack / 出力端子

OSD video out (composite) / OSD用コンポジット映像信号	
U, C, K, V, J models	NTSC
T, A, B, G, E, F, L models	PAL
Subwoofer	PRE OUT

Microphone Input Jack / マイク入力

.....	For intellibeam / インテリビーム用
-------	----------------------------

HDMI Input/Output / HDMI入出力

Input	x 2 (DVD, AUX)
Output	x 1

System Connector / システム接続

Monaural mini jack	For subwoofer ON/OFF control / サブウファーON/OFF連動用
--------------------------	--

Remote IN / リモコン入力

.....	Standard IR remote input / 標準赤外入力
-------	-----------------------------------

■ Function Section / 機能部

Decode Format / デコードフォーマット	Dolby Digital, Dolby Pro Logic, Dolby Pro Logic II (Movie, Music, Game), dts, dts Neo6 (Cinema, Music), AAC (J model)
---	--

Beam Mode / ビームモード

.....	5Beam, Stereo + 3Beam, 3Beam, Stereo My Beam, My surround
-------	--

Bass Extension / 低音増強

Volume Mode / 音量モード	
Night Listening Enhancer / ナイトリスニングモード	
Cinema/Music	Min/Mid/Max level
TV EQUAL / テレビ音量一定モード	
.....	Min/Mid/Max level

Menu Display Language / メニュー表示言語

U, C, T, K, A, B, G, E, F, L models	
.....	English, French, German, Spanish, Italian, Dutch, Russian
J model	Japanese

Beam Setting Method / ビーム調整モード

.....	Auto setup, Manual setup
-------	--------------------------

■ HDMI Section / HDMI部

HDMI Specification / HDMI規格	Version 1.3a
--	--------------

Audio Format / 音声フォーマット	
.....	PCM, Dolby Digital, DTS, AAC (J model)

Content Protection / 著作権保護

*	HDMI interface of this unit is based on the following standard: HDCP (High-bandwidth Digital Content Protection System) licensed by Digital Content Protection, LLC.
---	--

本機のHDMIは著作権保護技術(HDCP: High-bandwidth Digital Content Protection System)に対応しています。

Video Format / 映像フォーマット

.....	VGA, 480i / 480p (60 Hz), 576i / 576p (50 Hz) 720p / 1080i (50, 60 Hz), 1080p (24, 50, 60 Hz)
-------	--

Link Function / リンク機能

HDMI control	VIERA, REGZA, Wooo link
--------------------	-------------------------

■ General / 総合

Power Supply / 電源電圧	
U, C models	AC 120 V, 60 Hz
T, K, A, B, G, E, F, L models	AC 220-240 V, 50/60 Hz
V model	AC 110-120 V, 50/60 Hz
J model	AC 100V, 50/60 Hz

Power Consumption / 消費電力	
T, K, A, B, G, E, F, L, V models	22 W
U, C, J models	25 W

Standby Power Consumption (Reference Data) / 待機時消費電力(参考値)	
HDMI control ON	5.5 W
OFF	0.1 W

Dimensions (W x H x D) / 寸法(幅 × 高さ × 奥行き)	
.....	610 x 120 x 220 mm (24-1/8" x 4-3/4" x 8-5/8")

Weight / 質量	
.....	8.5 kg (18 lbs. 11 oz.)

Finish / 仕上げ

[YSP-600]	
Black color	U, C, T, K, A, B, G, E, F, L, J models
[HTY-750]	
Black color	B, G, E, F models

Accessories / 付属品

.....	Remote control x 1
.....	Batteries (R6, AA, UM-3) x 2
.....	Video pin cable (1.5 m) x 1
.....	Audio pin cable (1.5 m) x 1
Digital audio pin cable (1.5 m) x 1 (U, C, T, K, A, B, G, E, F, L, V models)	
Optical cable (1.5 m) x 1 (U, C, T, K, A, B, G, E, F, L, V models) /	
x 2 (J model)	
Intellibeam microphone (6 m) x 1	
Cardboard microphone stand x 1	
DVD-ROM (Demo disc) x 1	

* Specifications are subject to change without notice due to product improvements.

※ 参考仕様および外観は予告なく変更されることがあります。

<i>U</i>	<i>U.S.A. model</i>	<i>G</i>	<i>European model</i>
<i>C</i>	<i>Canadian model</i>	<i>E</i>	<i>South European model</i>
<i>T</i>	<i>Chinese model</i>	<i>F</i>	<i>Russian model</i>
<i>K</i>	<i>Korean model</i>	<i>L</i>	<i>Singapore model</i>
<i>A</i>	<i>Australian model</i>	<i>V</i>	<i>Taiwan model</i>
<i>B</i>	<i>British model</i>	<i>J</i>	<i>Japanese model</i>

IntelliBeam

The "IntelliBeam" logo and "IntelliBeam" are trademarks of YAMAHA Corporation.

「インテリビーム」「IntelliBeam」は、ヤマハ株式会社の商標です。



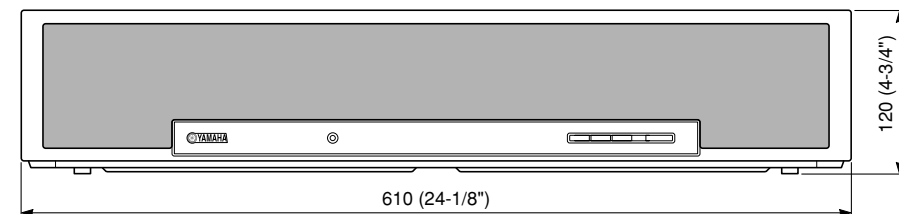
Manufactured under license from Dolby Laboratories.

"Dolby", "Pro Logic", and the double-D symbol are trademarks of Dolby Laboratories.

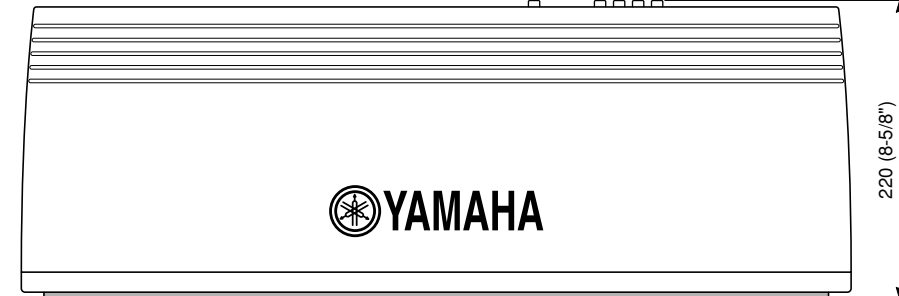
ドルビーラボラトリーズからの実施権により製造されています。「ドルビー」、 「PRO LOGIC」およびダブルD記号は、ドルビーラボラトリーズの商標です。

● DIMENSIONS / 寸法図

Front view



Rear view

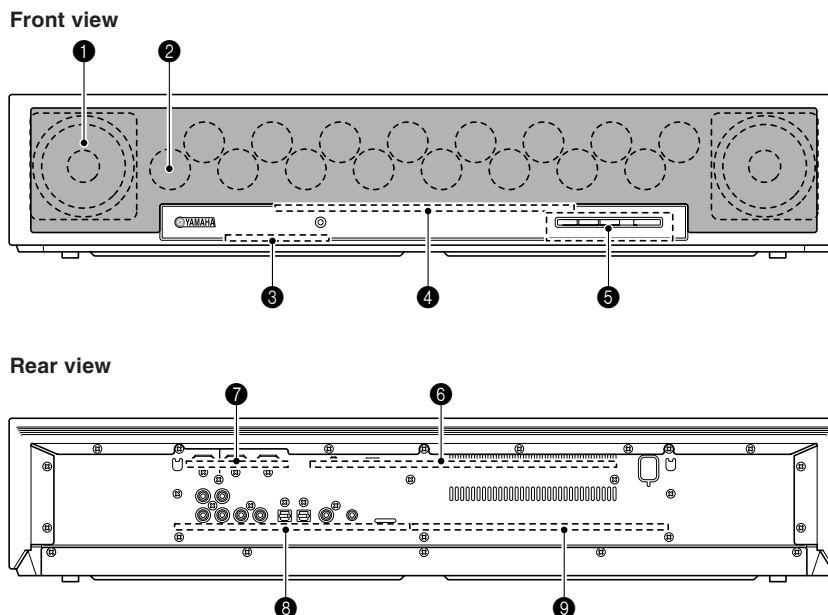


Unit: mm (inch)
単位: mm (インチ)

• SET MENU TABLE / セットメニュー

CATEGORY 1	MAIN MENU 2	SUB MENU 3	SELECT MENU 4	VALUE [INITIAL]	
1 MEMORY	1) LOAD	LOAD SEL : MEMORY1, MEMORY2, MEMORY3			
	2) SAVE	SAVE SEL : MEMORY1, MEMORY2, MEMORY3			
	1) BEAM+ SOUND OPTIMZ 2) BEAM OPTIMZ only 3) SOUND OPTIMZ only	START SETUP ? START SETUP ? START SETUP ?			
2 AUTO SETUP	1) SOUND MENU	A) TONE CONTROL	TREBLE	-12.0 to +12.0 dB, [0 dB], step 0.5 dB	
		B) SUBWOOFER SET	BASS OUT	SWFR, [FRONT]	
			CROSS OVER	100, [120], 150 Hz	
			LFE LEVEL	-20 to 0 dB, [0 dB], step 1.0 dB	
			DISTANCE	0.3 to 15.0 m, [3.0 m], step 0.1 m 1.0 to 50.0 ft, [10.0 ft], step 0.5 ft	
			MUTE	[MUTE], -20 dB	
		D) AUDIO DELAY	AUDIO DELAY	0 to 160 ms, [0 ms], step 1 ms Maximum changes with the modes. / 最大値はモードにより変化	
		E) DD/DTS Dynamic Range F) TruBass	DD/DTS Dynamic Range TruBass	MIN, STD, [MAX] OFF, [ON]	
	2) BEAM MENU	A) SETTING PARAMETERS	INSTALLED POSITION	[FLAT TO WALL], ANGLE TO WALL OR CORNER	
			ROOM WIDTH		2.0 to 12.0 m, step 0.1 m 6.5 to 40.0 ft, step 0.5 ft
			ROOM LENGTH		2.0 to 12.0 m, step 0.1 m 6.5 to 40.0 ft, step 0.5 ft
			USER POSITION		1.8 to 9.0 m, step 0.1 m 6.0 to 30.0 ft, step 0.5 ft
TO L WALL				0.6 to 11.4 m, step 0.1 m 2.0 ft to 38.0 ft, step 0.5 ft	
B) BEAM ADJUSTMENT			a) HORIZONTAL ANGLE	Front L Front R Center Surround L Surround R	-90 to +90 deg, step 1 deg
	b) BEAM TRAVEL LENGTH	Front L Front R Center Surround L Surround R	0.3 to 24.0 m, step 0.1 m 1.0 to 80.0 ft, step 0.5 ft		
	c) FOCAL LENGTH	Front L Front R Center Surround L Surround R	-1.0 to +13.0 m, step 0.1 m -3.5 to +43.5 ft, step 0.5 ft -1.0 to +13.0 m, [-0.3 m], step 0.1 m -3.5 to +43.5 ft, [-1.0 ft], step 0.5 ft -1.0 to +13.0 m, step 0.1 m -3.5 to +43.5 ft, step 0.5 ft		
	d) TREBLE GAIN	Front L Front R Center Surround L Surround R	-12.0 to +12.0 dB, [0 dB], step 0.5 dB		
	C) IMAGE LOCATION	IMAGE LOCATION	-12.0 to +12.0 dB, [0 dB] ([+3.0 dB]: 5 beams), step 0.5 dB		
	LEFT L ---- C RIGHT C ---- R > AUTO, LAST		ON, [OFF] 0 to 95%, [0%], step 5%		
3) INPUT MENU	A) INPUT MODE		ANALOG DIGITAL		
	B) INPUT TRIM		ANALOG DIGITAL DIGITAL DIGITAL	-6.0 to 0.0 dB, [-3.0 dB], step 0.5 dB	
	C) INPUT RENAME			Max: 8 character space, A to Z, 0 to 9, a to z, #, *, +, ,, -, ., /, :, <, >, ? [YSP-600 / HTY-760], OTHER	
4) DISPLAY MENU	D) HDMI SET	a) SUPPORT AUDIO b) AUDIO SELECT	AUX DVD	[ON], OFF	
		c) VIDEO INFO. d) HDMI CONTROL		HDMI RES., HDMI ERROR [OFF], ON (U, C, T, K, A, B, G, E, F, L models) / OFF, [ON] (J model)	
		STANDARD DIMMER AUTO DIMMER		-2, -1, [OFF] [OFF], -1 to -3, DISPLAY OFF	
		B) OSD SET C) UNIT SET (U, C, T, K, A, B, G, E, F, L, V models)		-5 to +5, [0], step 1 > METERS, FEET	
4 LANGUAGE SETUP		ENGLISH (English)			
		DEUTSCH (German)			
		Français (French)			
		ESPAÑOL (Spanish)			
		ITALIANO (Italian)			
		NEDERLANDS (Dutch) Русский (Russian)			

INTERNAL VIEW



- ① DRIVER WOOFER
- ② DRIVER TWEETER
- ③ INPUT (5) P.C.B.
- ④ INPUT (3) P.C.B.
- ⑤ INPUT (4) P.C.B.
- ⑥ DSP P.C.B.
- ⑦ HDMI P.C.B.
- ⑧ INPUT (2) P.C.B.
- ⑨ INPUT (1) P.C.B.

SERVICE PRECAUTIONS / サービス時の注意事項

Safety measures

- Some internal parts in this product contain high voltages and are dangerous. Be sure to take safety measures during servicing, such as wearing insulating gloves.
- Note that positions indicated below are dangerous even after the power is turned off because an electric charge remains and a high voltage continues to exist there. Before starting any repair work, perform discharge by connecting a discharge resistor (5k-ohms/10W) between terminals at following positions. The time required for discharging is about 30 seconds.
 1. C502 on INPUT (1) P.C.B..
 2. C523 on INPUT (1) P.C.B..

Refer to "PRINTED CIRCUIT BOARDS: INPUT (1) P.C.B.".

安全対策

- この製品の内部には高電圧部分があり危険です。修理の際は、絶縁性の手袋を使用するなどの安全対策を行ってください。
- 下記箇所には電源をOFFにした後も電荷が残り、高電圧が維持されており危険です。修理作業前に放電用抵抗 (5 k Ω /10 W) を下記箇所の端子間に接続して放電してください。放電所用時間は約30秒間です。

1. INPUT(1)P.C.B.のC502
2. INPUT(1)P.C.B.のC523

"PRINTED CIRCUIT BOARDS : INPUT (1) P.C.B."を参照してください。

DISASSEMBLY PROCEDURES / 分解手順

(Remove parts in the order as numbered.)

(番号順に部品を取り外してください。)

Cautions for disassembly and reassembly:

- Disconnect the power cable from the AC outlet.
- Spread soft cloth or the like and perform the work on it.
- Use full care as you may be injured by the front grille or other part.
- All screws must be tightened securely to prevent air leakage. Check the number of screws and their positions when installing them.
- When installing parts, be careful not to have anything such as cables caught between other parts.
- Make sure that all the removed driver (tweeter) parts are reinstalled at specified positions.

分解・組立時の注意：

- AC電源コンセントから、電源コードを抜いてください。
- やわらかい布等を敷いて その上で作業を行ってください。
- フロントグリル等で怪我をする恐れがあります。十分注意してください。
- ネジを閉め忘れると、エア漏れをすることがあります。ネジの個数及び位置を確認し、取り付けてください。
- 取り付けの際、ケーブル等を部品の隙間に挟み込むことがあります。十分注意してください。
- 取り外したスピーカーユニット(ツイーター)はすべて決められた位置に取り付けてください。

Disassembly Procedures as far as P.C.B.s

1. Removal of Bottom Cover

- Remove 3 screws (①) and then remove the side panel L. (Fig. 1)
- Remove 3 screws (②) and then remove the side panel R. (Fig. 1)
- Remove 30 screws (③), 4 screws (④), 4 screws (⑤) and 5 screws (⑥). (Fig. 1)
- Remove the bottom cover rearward.

P.C.B.までの分解手順

1. ボトムカバーの外し方

- ①のネジ3本を外し、パネルサイドLを取り外します。(Fig. 1)
- ②のネジ3本を外し、パネルサイドRを取り外します。(Fig. 1)
- ③のネジ30本、④のネジ4本、⑤のネジ4本、⑥のネジ5本を外します。(Fig. 1)
- ボトムカバーを後方に取り外します。

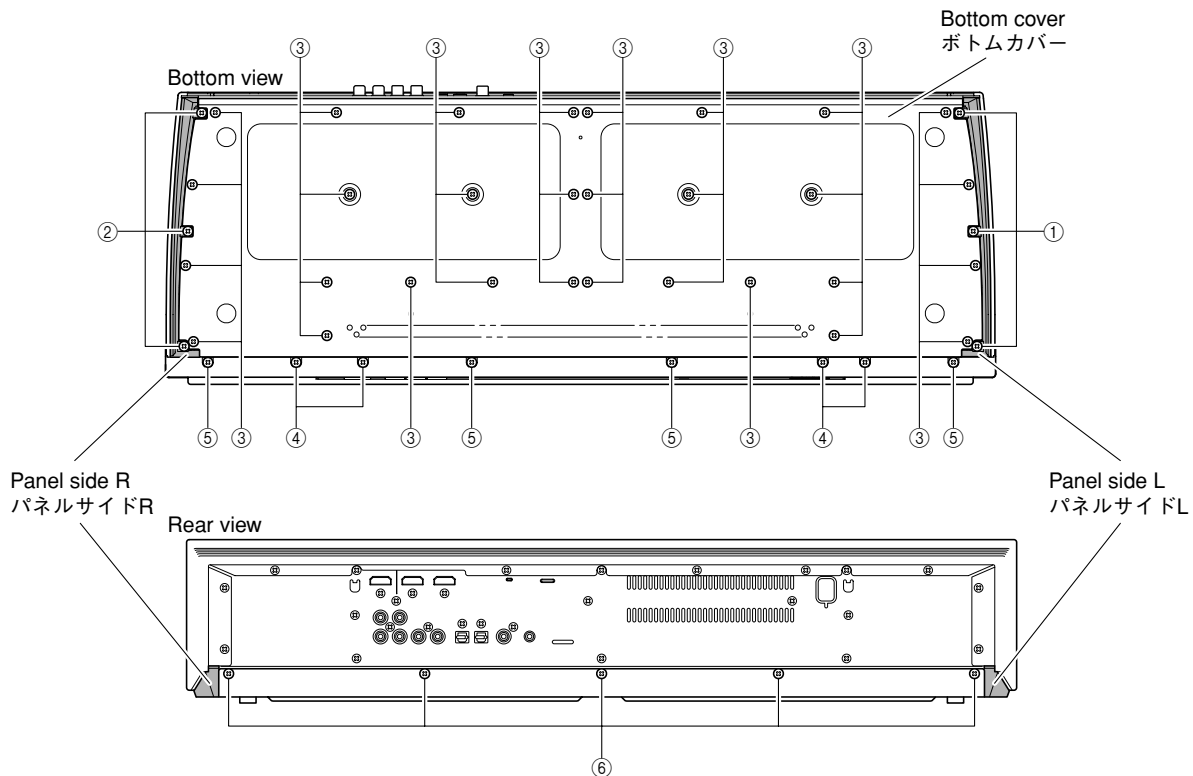


Fig. 1

2. Removal of Top Cover

- a. Remove 6 screws (⑦), 4 screws (⑧) and 9 screws (⑨). (Fig. 2)
- b. Remove the top cover rearward.

2. トップカバーの外し方

- a. ⑦のネジ6本、⑧のネジ4本、⑨のネジ9本を外します。(Fig. 2)
- b. トップカバーを後方に取り外します。

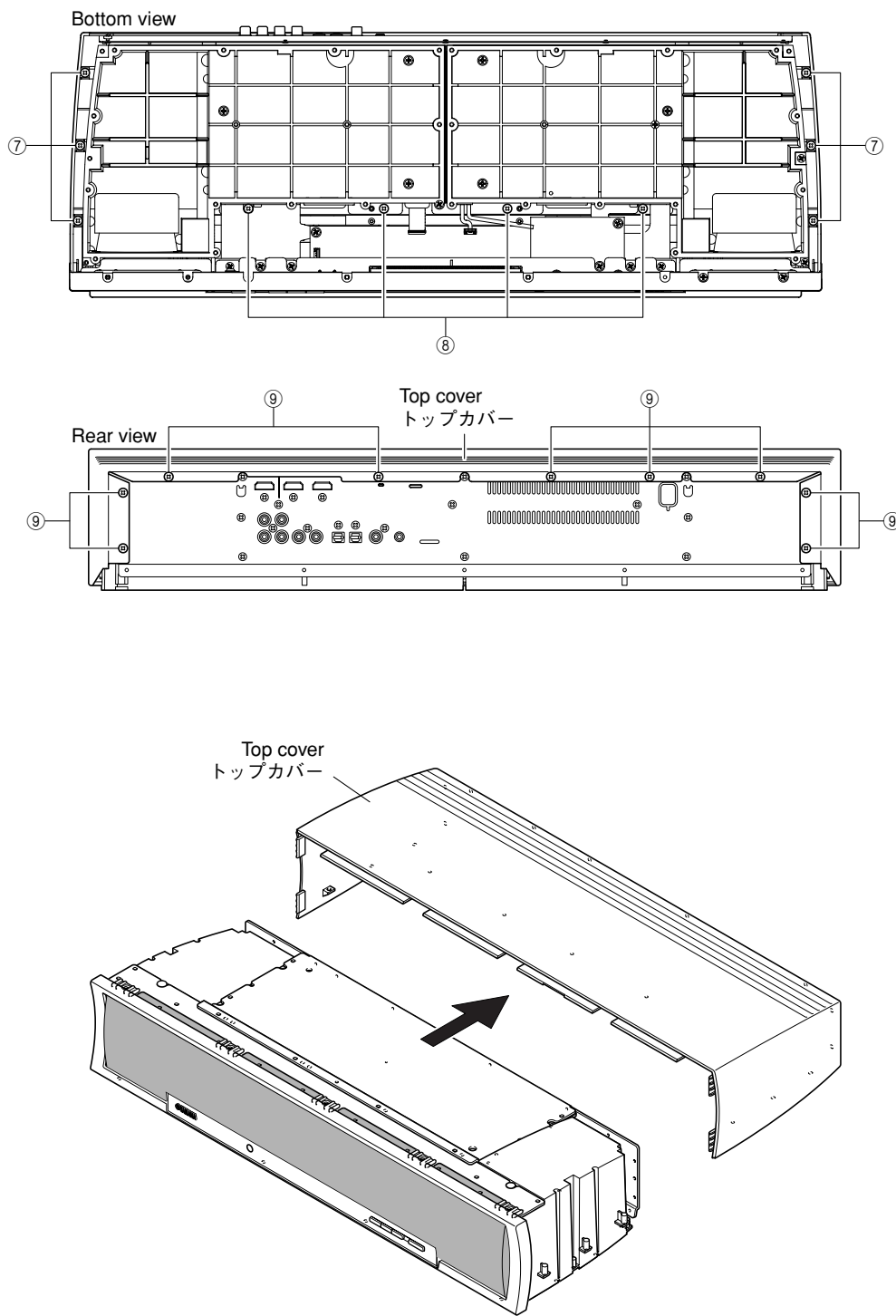


Fig. 2

3. Removal of Grille Front

- Remove 5 screws (10) and 4 screws (11). (Fig. 3)
- Remove the front panel forward gradually. (Fig. 3)
- Remove 12 screws (12) and 2 screws (13). (Fig. 3)
- Remove the grille front forward. (Fig. 3)

4. Removal of Grille Net ass'y

- Remove 5 screws (14) and then remove the grille net ass'y. (Fig. 3)

3. グリルフロントの外し方

- ⑩のネジ5本、⑪のネジ4本を外します。(Fig. 3)
- フロントパネルを前方にゆっくり取り外します。(Fig. 3)
- ⑫のネジ12本、⑬のネジ2本を取り外します。(Fig. 3)
- グリルフロントを前方へ取り外します。(Fig. 3)

4. グリルネットASSYの外し方

- ⑭のネジ5本を外し、グリルネットASSYを取り外します。(Fig. 3)

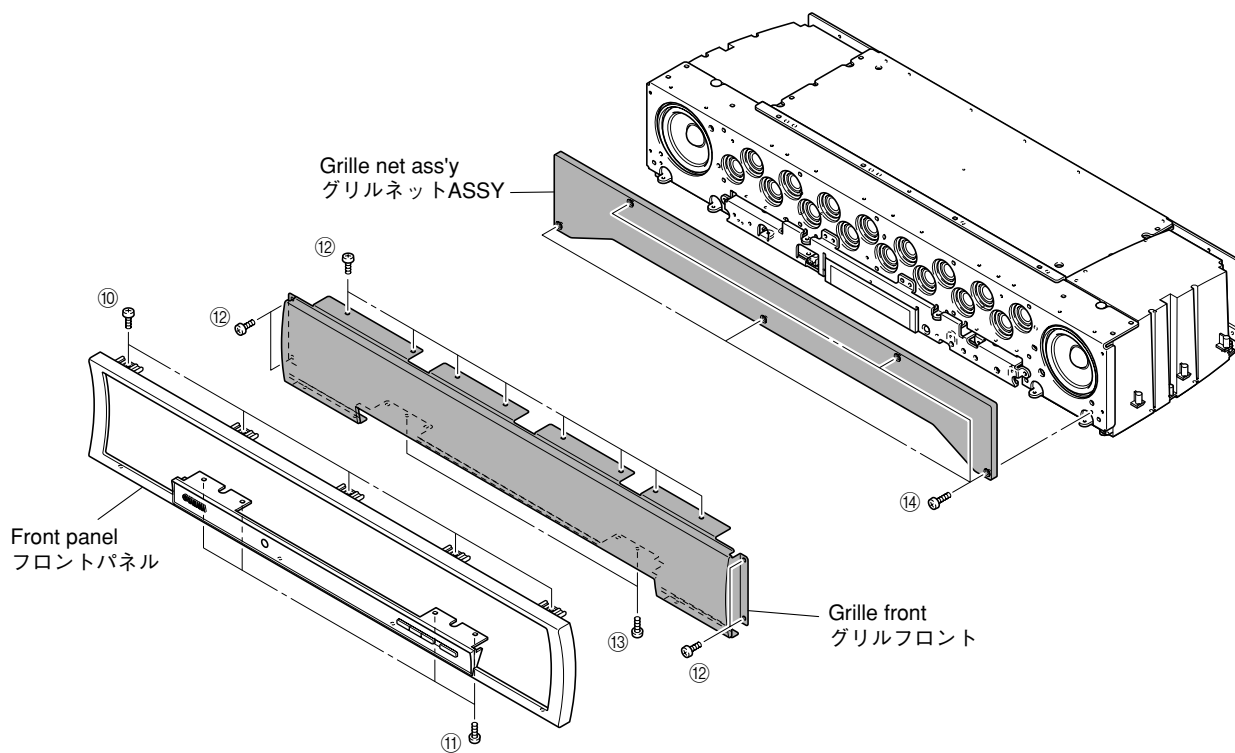


Fig. 3

5. Removal of HDMI P.C.B.

- Remove 12 screws (15). (Fig. 4)
- Remove 3 screws (16). (Fig. 4)
- Remove the frame top. (Fig. 4)
- Remove 4 screws (17) and 3 screws (18). (Fig. 4)
- Remove CB5 and CB7. (Fig. 4)
- Release the lock and remove CB6. (Fig. 4)
- Remove HDMI P.C.B.. (Fig. 4)

5. HDMI P.C.B.の外し方

- 15のネジ12本を外します。(Fig. 4)
- 16のネジ3本を外します。(Fig. 4)
- フレームトップを取り外します。(Fig. 4)
- 17のネジ4本、18のネジ3本を外します。(Fig. 4)
- CB5、CB7を外します。(Fig. 4)
- ロックを外し、CB6を外します。(Fig. 4)
- HDMI P.C.B.を取り外します。(Fig. 4)

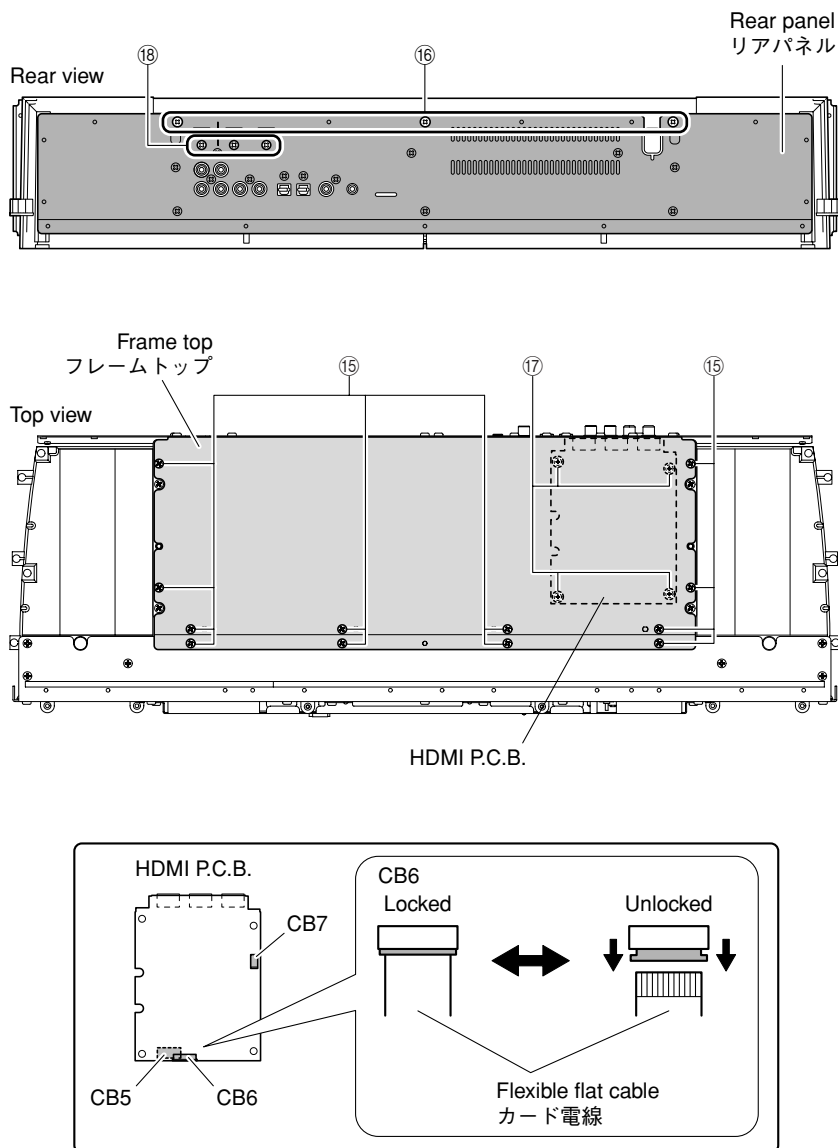


Fig. 4

6. Removal of DSP P.C.B.

- Remove 6 screws (19). (Fig. 5)
- Remove CB203-207 and CB601-607. (Fig. 5)
- Remove the DSP P.C.B.. (Fig. 5)

6. DSP P.C.B.の外し方

- 19のネジ6本を外します。(Fig. 5)
- CB203-207、CB601-607を外します。(Fig. 5)
- DSP P.C.B.を取り外します。(Fig. 5)

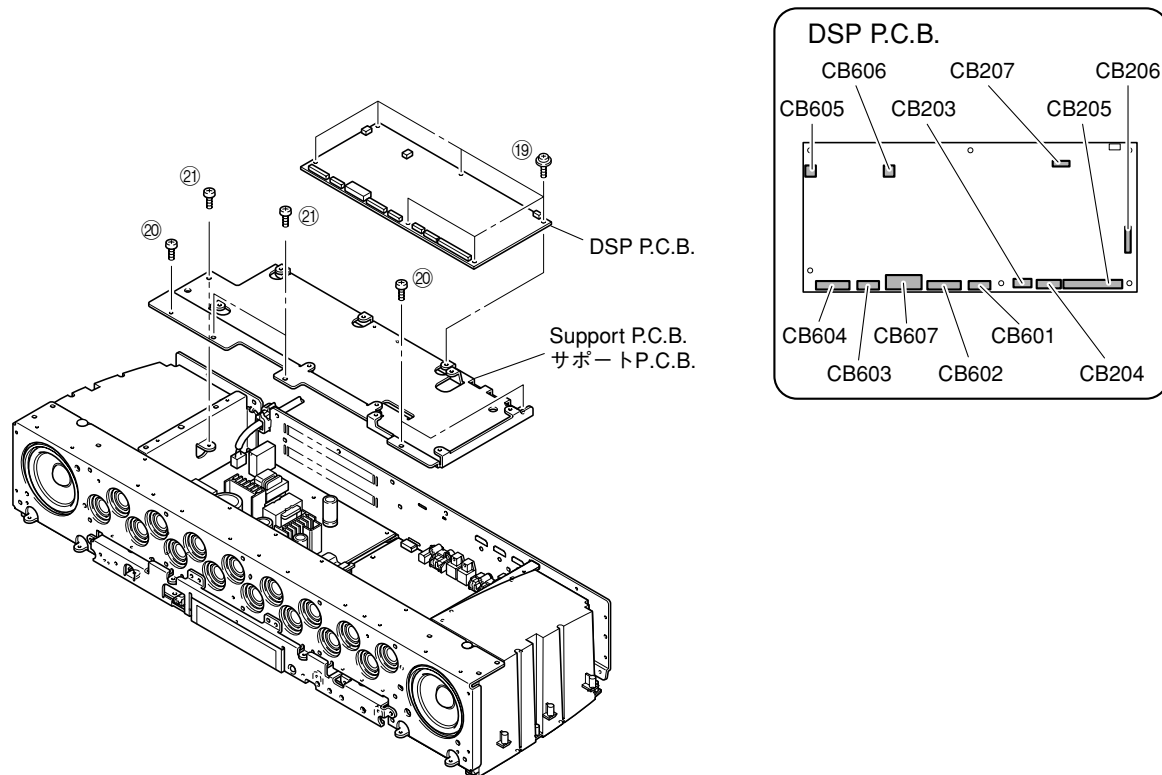


Fig. 5

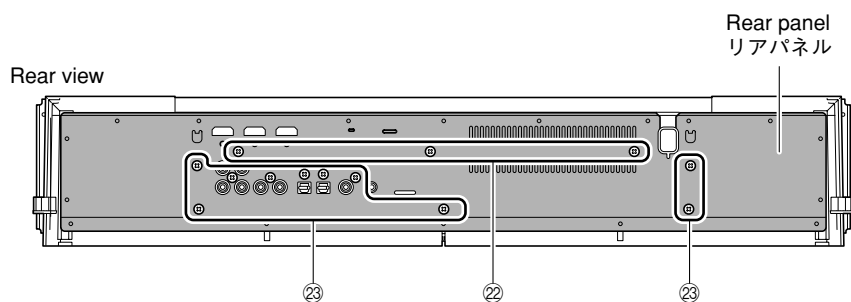


Fig. 6

7. Removal of INPUT (1) and (2) P.C.B.s

* When replacing INPUT (1) and INPUT (2) P.C.B.s, be sure to replace them at the same time. Installing either P.C.B. of different version from the other may cause failure of operation.

- Remove 3 screws (20). (Fig. 5)
- Remove 3 screws (21) and then remove the binding tie. (Fig. 5)
- Remove 3 screws (22). (Fig. 6)
- Remove the support P.C.B.. (Fig. 5)
- Remove 10 screws (23) and then remove the rear panel. (Fig. 6)

7. INPUT(1)、(2)P.C.B.の外し方

※ INPUT(1)およびINPUT(2)P.C.B.を交換する場合、必ず同時に行ってください。どちらか片方にバージョンの異なるP.C.B.を取り付けると、動作しないことがあります。

- 20のネジ3本を外します。(Fig. 5)
- 21のネジ3本を外し、束線止めを外します。(Fig. 5)
- 22のネジ3本を外します。(Fig. 6)
- サポートP.C.B.を取り外します。(Fig. 5)
- 23のネジ10本を外し、リアパネルを取り外します。(Fig. 6)

- | | |
|--|-----------------------------------|
| f. Remove CB901. (Fig. 7) | f. CB901を外します。(Fig. 7) |
| g. Remove 5 screws (24). (Fig. 7) | g. 24のネジ5本を外します。(Fig. 7) |
| h. Remove CB4, CB7 and CB8. (Fig. 7) | h. CB4、CB7-8を外します。(Fig. 7) |
| i. Remove the INPUT (1) P.C.B.. (Fig. 7) | i. INPUT(1)P.C.B.を取り外します。(Fig. 7) |
| j. Remove CB801. (Fig. 7) | j. CB801を外します。(Fig. 7) |
| k. Remove 5 screws (25). (Fig. 7) | k. 25のネジ5本を外します。(Fig. 7) |
| l. Remove the INPUT (2) P.C.B.. (Fig. 7) | l. INPUT(2)P.C.B.を取り外します。(Fig. 7) |

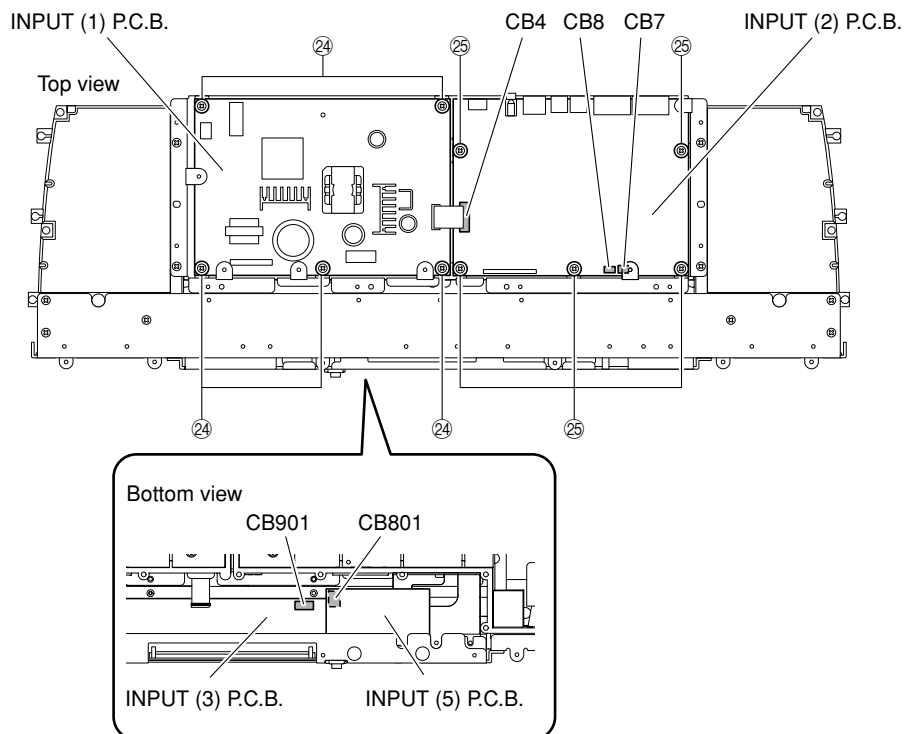


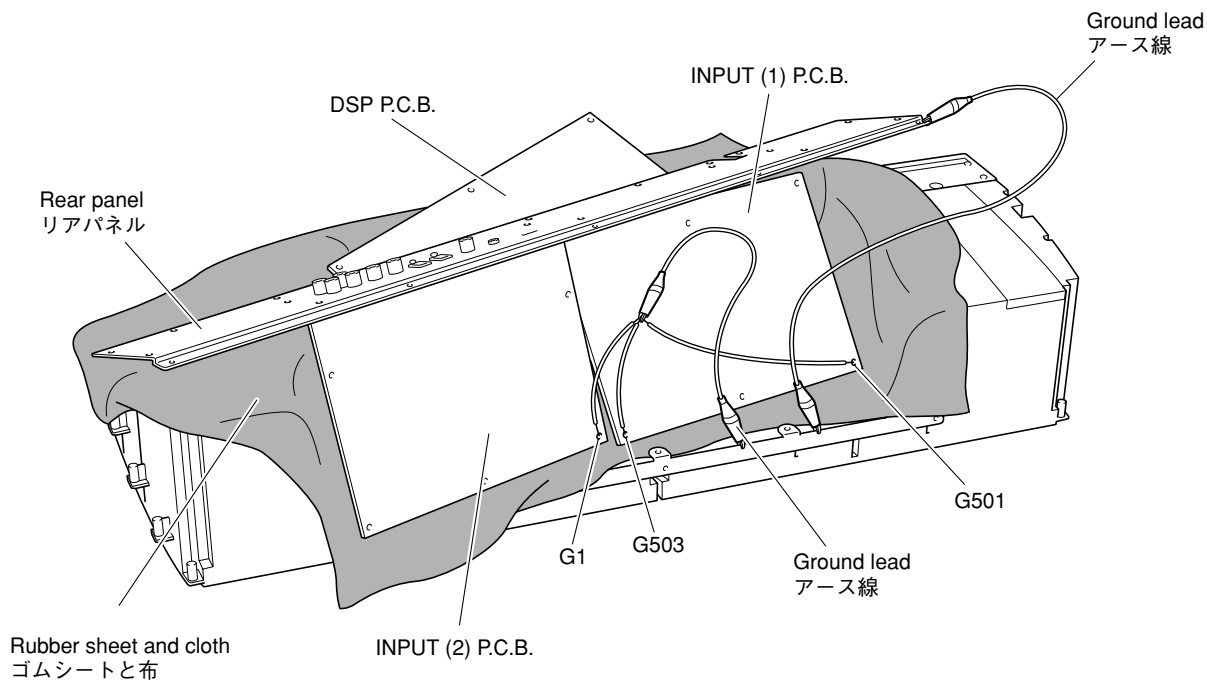
Fig. 7

When checking the P.C.B.s:

- * Put the rubber sheet and cloth over this unit. Then place the P.C.B.s upside down on the cloth and check it. (Fig. 8)
- * Reconnect all cables (connectors) that have been disconnected.
- * When connecting the flexible flat cable, be careful with polarity.
- * In this unit, the ground of P.C.B.s is connected to the chassis. When these P.C.B.s are removed from the chassis, connect the ground point to the chassis, using a ground lead wire or such. (Fig. 8)

P.C.B.をチェックする場合には：

- ・本機の上にゴムシートと布を敷き、その上にP.C.B.を裏返しに置いてチェックします。(Fig. 8)
- ・外したケーブル(コネクタ)をすべて接続します。
- ・カード電線を接続する際、極性に注意してください。
- ・本機ではP.C.B.のアースがパネルまたはシャーシに接続されています。P.C.B.をパネルまたはシャーシより取り外した場合、リード線等でアースポイントをシャーシに接続してください。(Fig. 8)

**Fig. 8**

Disassembly Procedures as far as Driver Woofer/Tweeter

1. Removal of Bottom Cover

- a. Remove 3 screws (①) and then remove the side panel L. (Fig. 9)
- b. Remove 3 screws (②) and then remove the side panel R. (Fig. 9)
- c. Remove 30 screws (③), 4 screws (④), 4 screws (⑤) and 5 screws (⑥). (Fig. 9)
- d. Remove the bottom cover rearward.

スピーカーユニットまでの分解手順

1. ボトムカバーの外し方

- a. ①のネジ3本を外し、パネルサイドLを取り外します。(Fig. 9)
- b. ②のネジ3本を外し、パネルサイドRを取り外します。(Fig. 9)
- c. ③のネジ30本、④のネジ4本、⑤のネジ4本、⑥のネジ5本を外します。(Fig. 9)
- d. ボトムカバーを後方に取り外します。

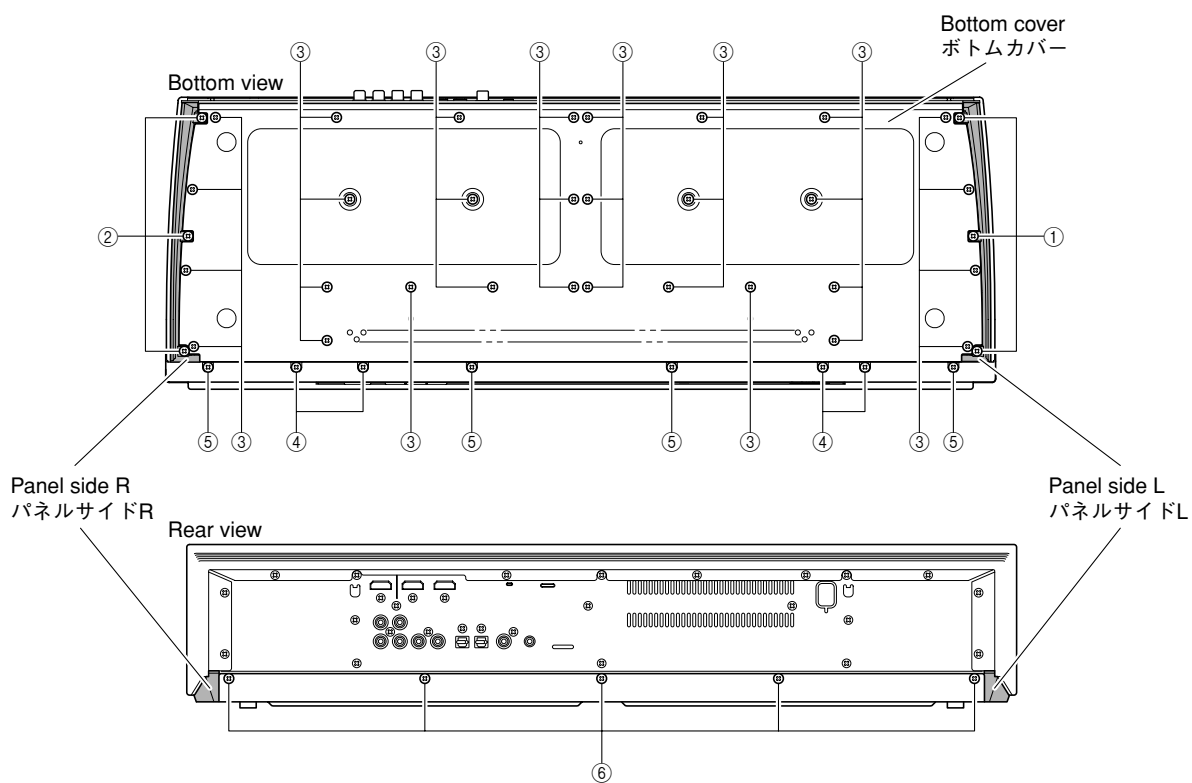


Fig. 9

2. Removal of Top Cover

- a. Remove 6 screws (⑦), 4 screws (⑧) and 9 screws (⑨). (Fig. 10)
- b. Remove the top cover rearward.

2. トップカバーの外し方

- a. ⑦のネジ6本、⑧のネジ4本、⑨のネジ9本を外します。(Fig. 10)
- b. トップカバーを後方に取り外します。

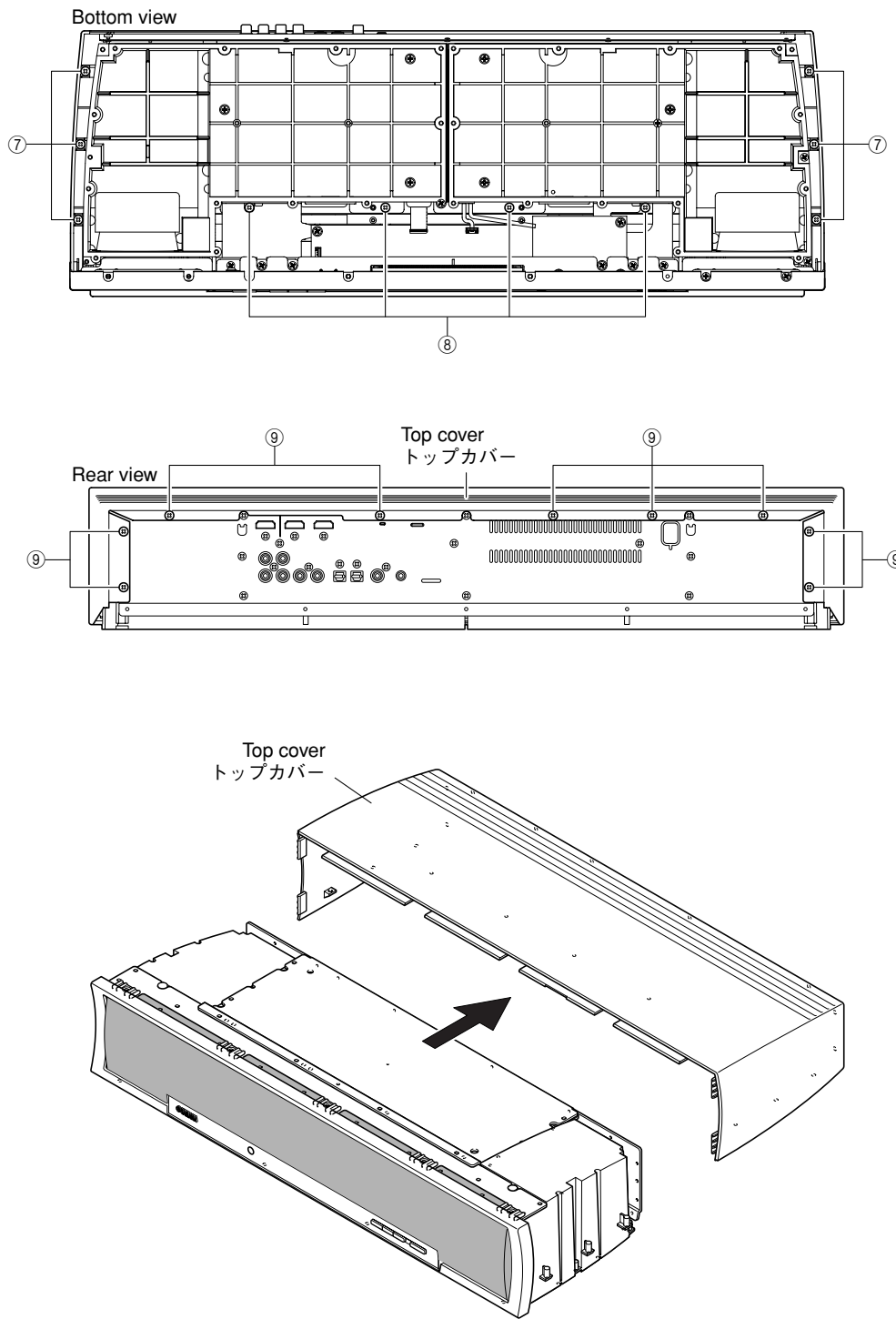


Fig. 10

3. Removal of Grille Front

- Remove 5 screws (⑩) and 4 screws (⑪). (Fig. 11)
- Remove the front panel forward gradually. (Fig. 11)
- Remove 12 screws (⑫) and 2 screws (⑬). (Fig. 11)
- Remove the grille front. (Fig. 11)

4. Removal of Grille Net ass'y

- Remove 5 screws (⑭) and then remove the grille net ass'y. (Fig. 11)

3. グリルフロントの外し方

- ⑩のネジ5本、⑪のネジ4本を外します。(Fig. 11)
- フロントパネルを前方にゆっくり取り外します。(Fig. 11)
- ⑫のネジ12本、⑬のネジ2本を取り外します。(Fig. 11)
- グリルフロントを前方へ取り外します。(Fig. 11)

4. グリルネットASSYの外し方

- ⑭のネジ5本を外し、グリルネットASSYを取り外します。(Fig. 11)

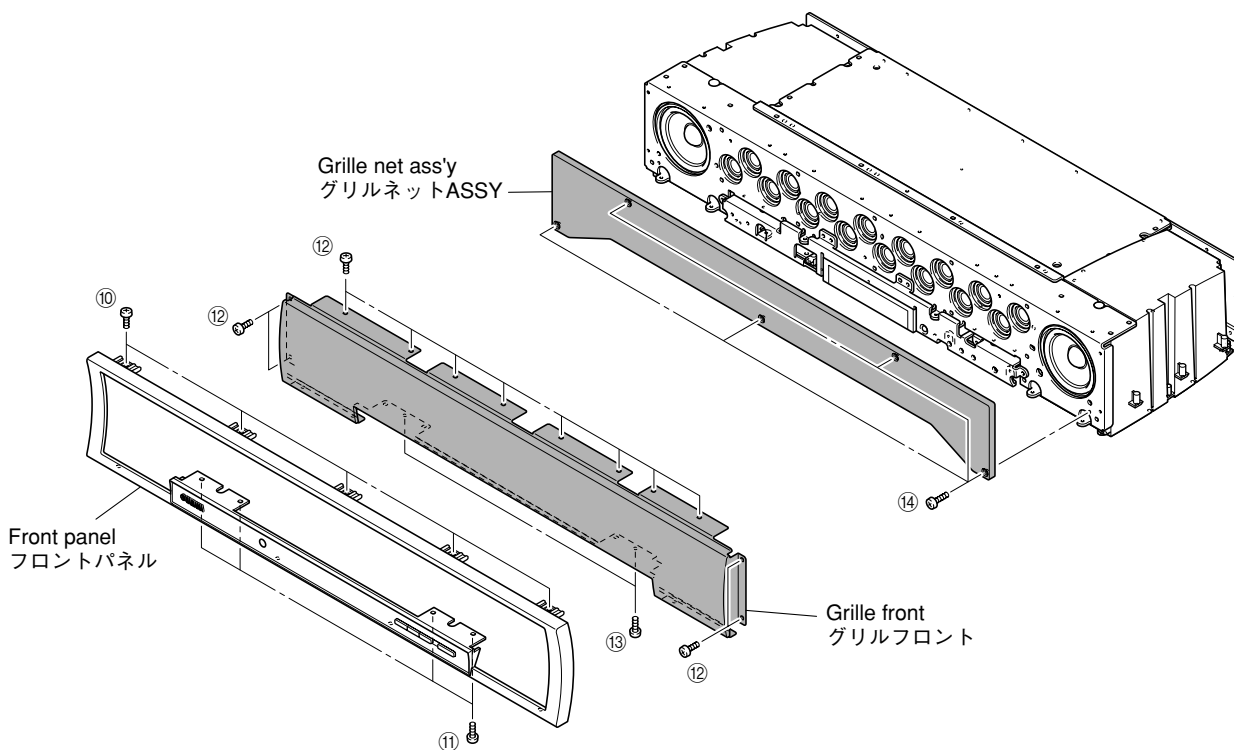


Fig. 11

5. Removal of Frame Front

- Remove 4 screws (15) and screw (16). (Fig. 12)
- Remove CB801 and CB903. (Fig. 12)
- Remove the frame front together with P.C.B.s. (Fig. 12)

5. フレームフロントの外し方

- 15のネジ4本、16のネジ1本を外します。(Fig. 12)
- CB801、CB903を外します。(Fig. 12)
- フレームフロントをP.C.B.と一緒に取り外します。(Fig. 12)

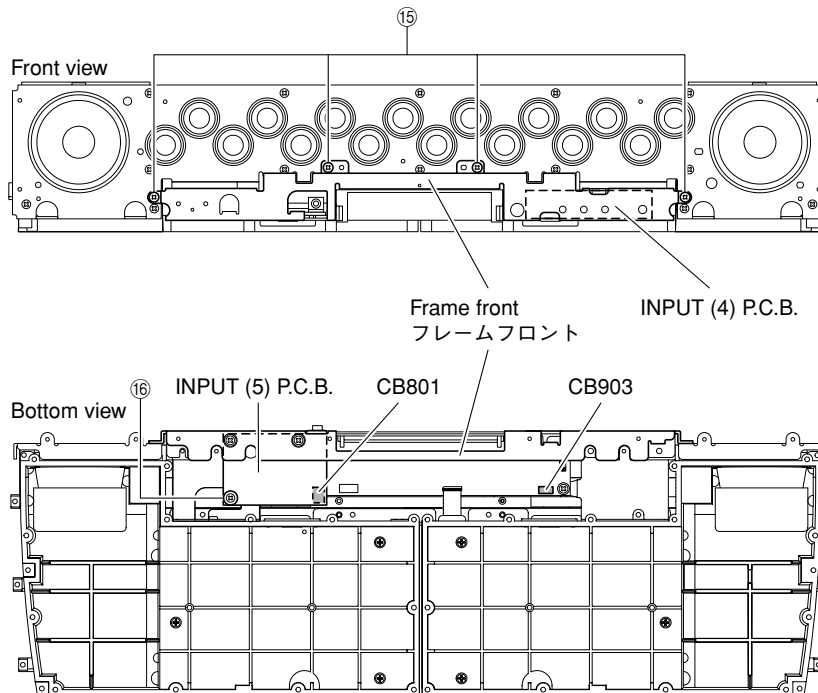


Fig. 12

6. Removal of Frame Main

- Remove 12 screws (17) and 3 screws (18). (Fig. 13)
- Remove the frame top. (Fig. 13)
- Remove 6 screws (19), 4 screws (20) and 2 screws (21). (Fig. 13)
- Remove CB601-604 and CB901-902. (Fig. 13)
- Remove the frame main together with cabinet tweeter. (Fig. 13)

7. Removal of Driver Woofer

- Remove 4 screws (22). (Fig. 13)
- Remove CB605. (Fig. 13)
- Remove 2 screws (23) and then remove the stopper wire. (Fig. 13)
- Remove the driver woofer L. (Fig. 13)
- Remove 4 screws (24). (Fig. 13)
- Remove CB606. (Fig. 13)
- Remove 2 screws (25) and then remove the stopper wire. (Fig. 13)
- Remove the driver woofer R. (Fig. 13)

6. フレームメインの外し方

- ⑰のネジ12本、⑱のネジ3本を外します。(Fig. 13)
- フレームトップを取り外します。(Fig. 13)
- ⑲のネジ6本、⑳のネジ4本、㉑のネジ2本を外します。(Fig. 13)
- CB601-604、CB901-902を外します。(Fig. 13)
- フレームメインをキャビネットツイーターと一緒に取り外します。(Fig. 13)

7. スピーカーユニット(ウーファー)の外し方

- ㉒のネジ4本を外します。(Fig. 13)
- CB605を外します。(Fig. 13)
- ㉓のネジ2本を外し、ストッパーワイヤを外します。(Fig. 13)
- スピーカーユニット(ウーファー)Lを取り外します。(Fig. 13)
- ㉔のネジ4本を外します。(Fig. 13)
- CB606を外します。(Fig. 13)
- ㉕のネジ2本を外し、ストッパーワイヤを外します。(Fig. 13)
- スピーカーユニット(ウーファー)Rを取り外します。(Fig. 13)

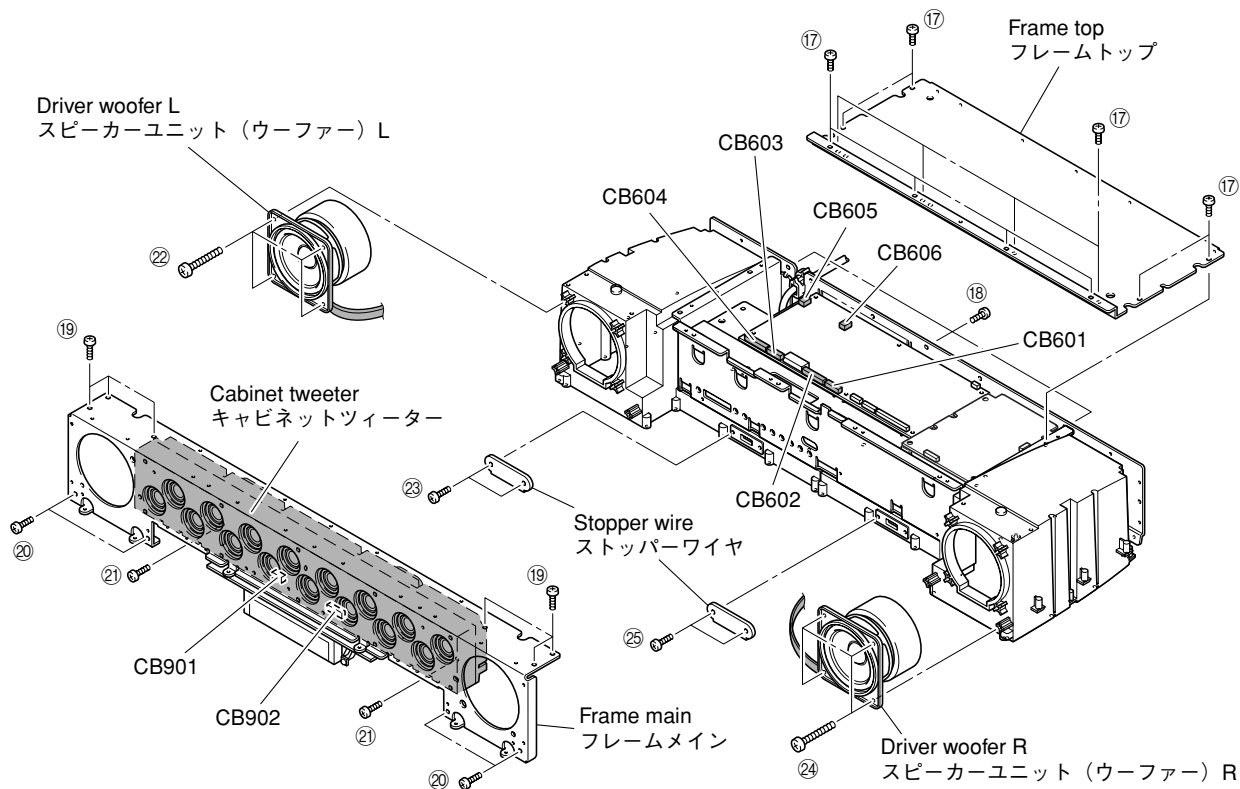


Fig. 13

8. Removal of Driver Tweeter

- Remove 4 screws (26) and then remove the INPUT (3) P.C.B.. (Fig. 14)
- Remove 12 screws (27). (Fig. 14)
- Remove the pad L and then remove the cabinet A-B. (Fig. 14)
- Remove 2 screws (28) and then remove the support SP. (Fig. 14)
- Remove the driver tweeter. (Fig. 14)

8. スピーカーユニット(ツイーター)の外し方

- 26のネジ4本を外し、INPUT(3)P.C.B.を取り外します。(Fig. 14)
- 27のネジ12本を外します。(Fig. 14)
- パッドLを外し、キャビネットA-Bを取り外します。(Fig. 14)
- 28のネジ2本を外し、サポートSPを取り外します。(Fig. 14)
- スピーカーユニット(ツイーター)を取り外します。(Fig. 14)

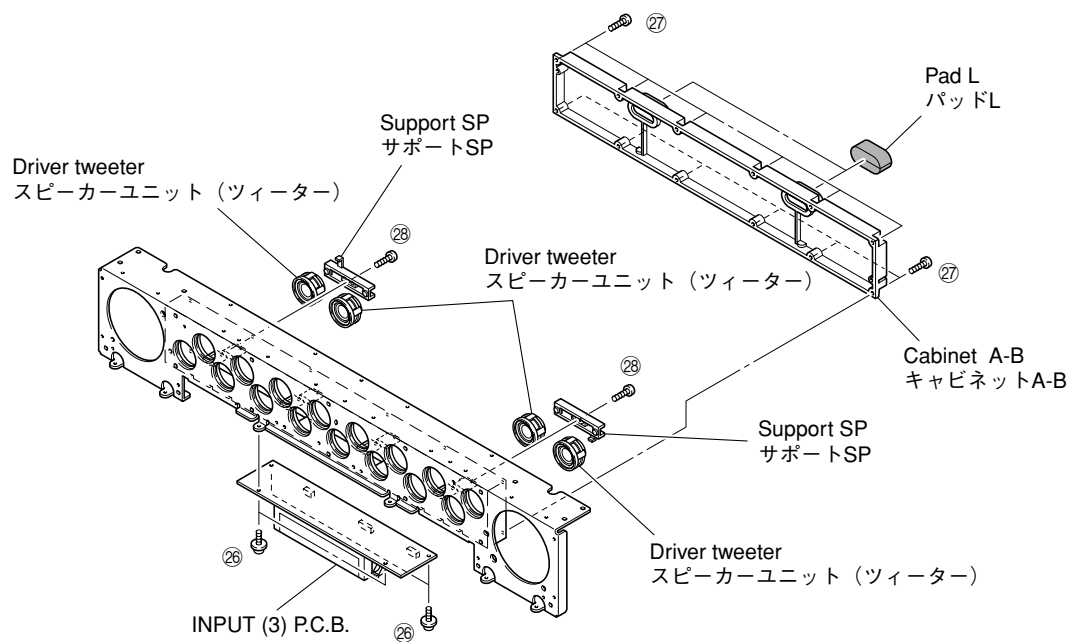


Fig. 14

Installation of Driver Tweeter

Note: Make sure that all the removed driver tweeter parts are reinstalled at specified positions.
(Fig. 15)

スピーカーユニット(ツイーター)の取り付け方

注意：取り外したスピーカーユニット(ツイーター)はすべて決められた位置に取り付けてください。
(Fig. 15)

Pin No. (cable color) / ピンNo.	CB601	CB602	CB603	CB604
1 (Black: -), 2 (Red: +)	T16	T13	T08	T05
3 (Black: -), 4 (Green: +)	T15	T12	T07	T04
5 (Black: -), 6 (Yellow: +)	T14	T11	T06	T03
7 (Black: -), 8 (Orange: +)	-	T10	-	T02
9 (Black: -), 10 (Brown: +)	-	T09	-	T01

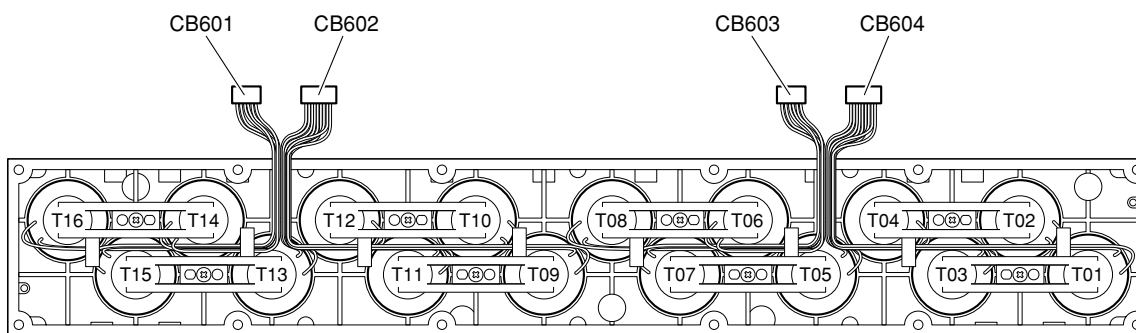


Fig. 15

YSP-600/HTY-760






■ UPDATING FIRMWARE / ファームウェアの書き込み

After replacing the following parts with the replacement parts, update the latest firmware according to the following procedure.

DSP P.C.B.
 Microprocessor (IC211) of DSP P.C.B.
 DSP (TI Flash ROM, IC212) of DSP P.C.B.

● Required tools

- **Program downloader programs**
 For microprocessor FlashSta.exe
 For DSP (TI1 Flash ROM)
 DSP FLASHER (YSP_TI1).exe
- **Firmware**
 For microprocessor
 Y600_vx.mot
 Y600_vx.id
 For DSP (TI1 Flash ROM)
 YSP600_data1_Verx_xr.hex
- **RS232C cross cable “D-sub 9 pin female”**
 (Specifications)

Pin No.2 RxD		Pin No.2 RxD
Pin No.3 TxD		Pin No.3 TxD
Pin No.5 GND		Pin No.5 GND
Pin No.7 RTS		Pin No.7 RTS
Pin No.8 CTS		Pin No.8 CTS
- **RS232C conversion jig.**
 For the details, refer to page 95.

● Preparation and precautions before starting the operation






- Download firmware downloader program and firmware from the specified source to the same folder of the PC.
- Prepare the above specified RS232C cross cable.
- While writing, keep the other application software on the PC closed.
 It is also recommended to keep the software on the task tray closed as well.

下記の部品をサービス部品に交換した場合、下記の手順により最新のファームウェアの書き込みを行ってください。

DSP P.C.B.
 DSP P.C.B.のマイコン(IC211)
 DSP P.C.B.のDSP(TI Flash ROM、IC212)

● 必要なツール

- プログラム書き込み用プログラム
 マイコン用 FlashSta.exe
 DSP(TI1 Flash ROM)用
 DSP FLASHER (YSP_TI1).exe
- ファームウェア
 マイコン用
 Y600_vx.mot
 Y600_vx.id
 DSP(TI1 Flash ROM)用
 YSP600_data1_Verx_xr.hex
- RS232Cクロスケーブル“D-sub 9pinメス”
 (仕様)

Pin No.2 RxD		Pin No.2 RxD
Pin No.3 TxD		Pin No.3 TxD
Pin No.5 GND		Pin No.5 GND
Pin No.7 RTS		Pin No.7 RTS
Pin No.8 CTS		Pin No.8 CTS
- RS232C 変換治具
 詳細は95ページを参照してください。

● 操作前の準備と注意

- PCへ指定のダウンロード先からファームウェア書き込み用プログラムおよび、ファームウェアを同じフォルダにダウンロードしてください。
- RS232Cクロスケーブルは必ず上記仕様のもを用意してください。
- 書き込み時は、PC上の他のアプリケーションソフトは閉じてください。
 さらに、タスクトレイ上にあるソフトも閉じておくことを推奨します。

● Operation Procedure

Writing to the microprocessor

1. Turn off the power of this unit and disconnect the power cable from the AC outlet.
2. Connect the writing port of this unit to the serial port (RS232C) of the PC with RS232C cross cable as shown below. (Fig. 1)

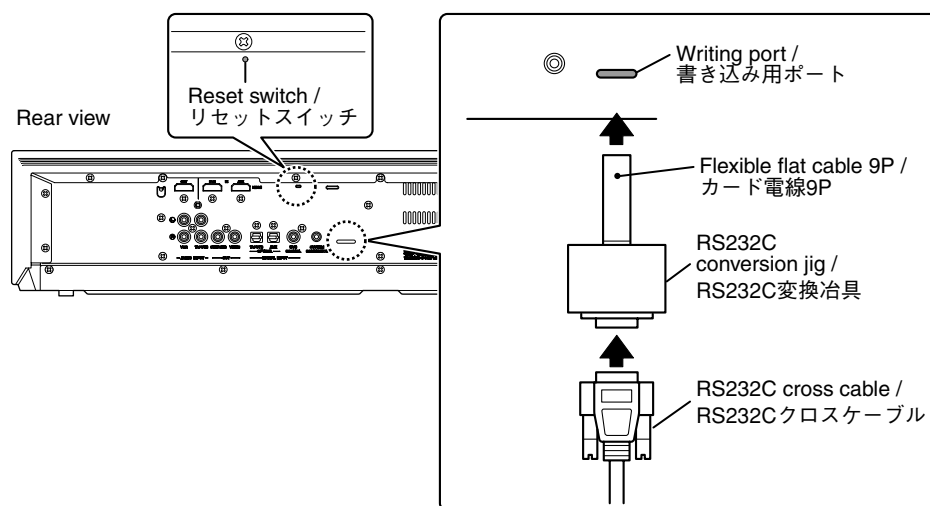


Fig. 1

3. While pressing the reset switch of this unit, connect the power cable to the AC outlet. (Fig. 1)
 - * Use a fine tipped pin or the like to push the reset switch.
4. Start up FlashSta.exe, the screen will appear as shown below. (Fig. 2)

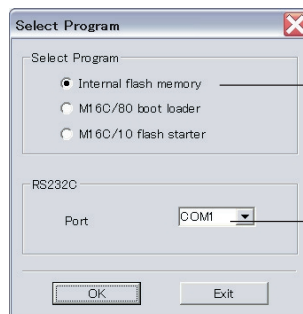


Fig. 2

5. Select the data to be transmitted and port. (Fig. 2)
 - **Select Program**
Select Internal flash memory
 - **RS232C**
Select the port of RS-232C
 - * For selection of the port, COM1 to 4 can be used. As COM5 or higher port cannot be used, change the setting of COM port to COM 1 to 4 from the PC.

● 操作方法

マイコンへの書き込み

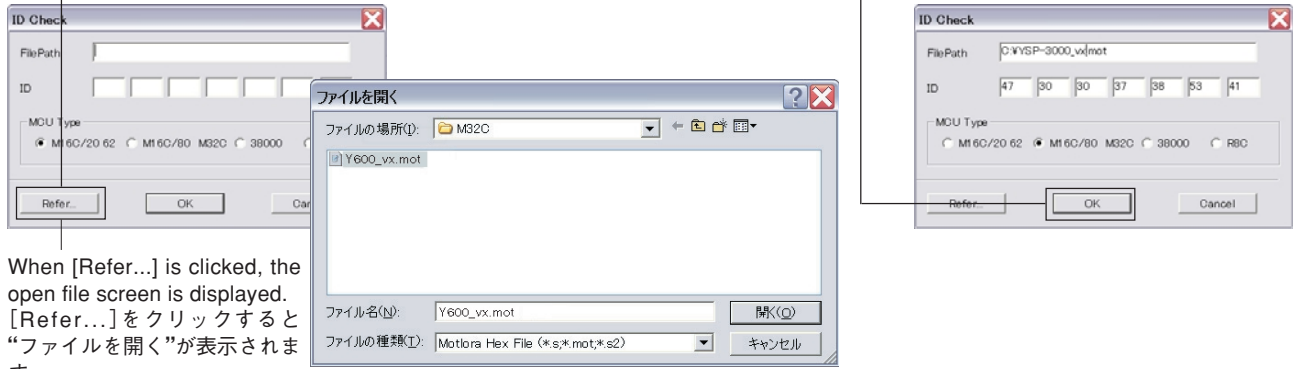
1. 本機の電源を切り、電源コードをACコンセントから抜きます。
2. 本機の書き込み用ポートとPCのシリアルポート (RS232C) を下記のように接続します。(Fig. 1)

3. 本機のリセットスイッチを押しながら、電源コードをACコンセントに接続します。(Fig. 1)
 - ※ リセットスイッチは、先の細いピンなどで押してください。
4. FlashSta.exeを立ち上げます。すると下記の画面が表示されます。(Fig. 2)

5. 送信データ、ポートを選択します。(Fig. 2)
 - **Select Program**
Internal flash memoryを選択します。
 - **RS232C**
接続しているRS-232Cポートを選択します。
※ ポートの選択はCOM1～4までが使用できます。COM5以上は使用できませんので、PC側の設定でCOM1～4を選択してください。

6. Click [Refer...], and select the firmware name. (Fig. 3)
 * The ID code and MCU type are loaded when the file is selected. (Fig. 3)
 Click [OK]. (Fig. 3)

6. [Refer...]をクリックし、書き込むファームウェアを選択します。(Fig. 3)
 ※ ID、およびMCU Typeは書き込みファイル選択時、自動的に取り込まれます。(Fig. 3)
 [OK]をクリックします。(Fig. 3)

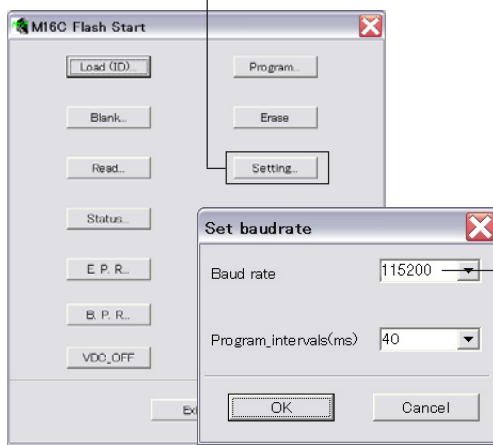


When [Refer...] is clicked, the open file screen is displayed.
 [Refer...]をクリックすると“ファイルを開く”が表示されます。

Fig. 3

7. Click [Setting] and set the baud rate. (Fig. 4)

7. [Setting]をクリックし、通信速度の設定を行います。(Fig. 4)

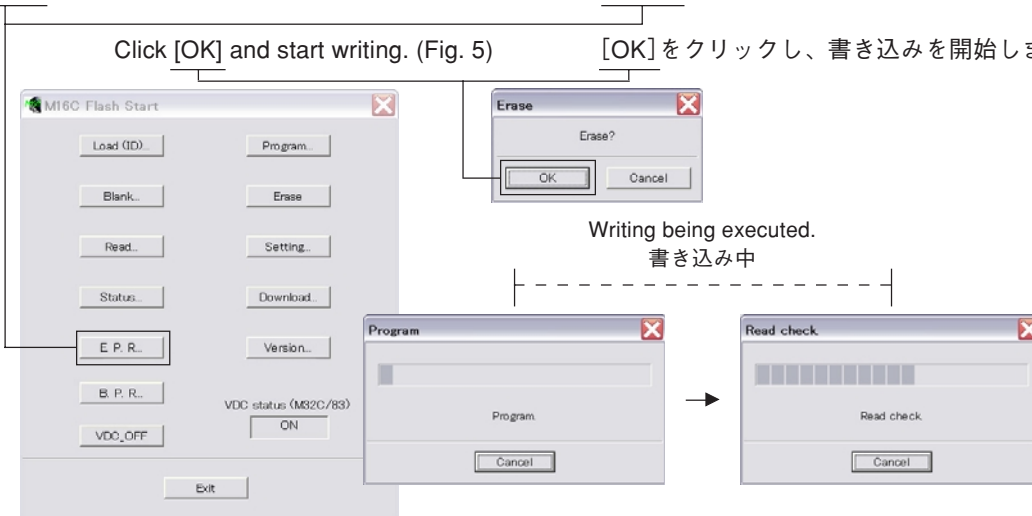


Select 115200bps or below for the baud rate.
 * Reduce the baud rate if a transmission error occurs frequently.
 通信速度は115200bps以下を選択します。
 ※ 送信エラーが多発する場合は、通信速度を下げてください。

Fig. 4

8. Click [E.P.R.], the “Erase” screen is displayed. (Fig. 5)

8. [E.P.R.]をクリックすると、“Erase”が表示されます。(Fig. 5)
 [OK]をクリックし、書き込みを開始します。(Fig. 5)



Click [OK] and start writing. (Fig. 5)

Writing being executed.
 書き込み中

Fig. 5

9. When the program transmission is completed, the screen appears as shown below.

Click [OK]. (Fig. 6)

9. プログラムの送信が終了すると、下記の画面が表示されます。

[OK]をクリックします。(Fig. 6)

10. Click [EXIT], to end "FlashSta.exe". (Fig. 6)

10. [EXIT]をクリックして、“FlashSta.exe”を終了します。(Fig. 6)

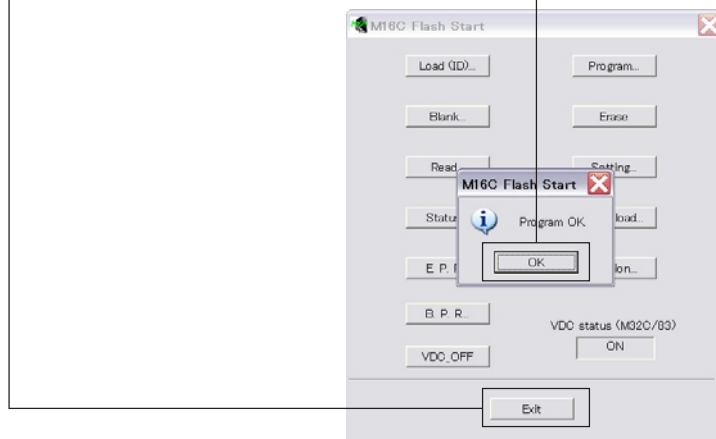


Fig. 6

11. Disconnect the power cable of this unit from the AC outlet.

12. Disconnect the RS232C cross cable, RS232C conversion jig and flexible flat cable.

• **Confirmation of firmware version and checksum**

Confirm the firmware is updated successfully with the self-diagnostic function.

For more information, refer to “SELF-DIAGNOSTIC FUNCTION”.

1. Reconnect the power cable of this unit to the AC outlet.
2. While pressing the “VOL+” key and “VOL-” key of this unit, press the “STANDBY/ON” key of the remote control to activate the self-diagnostic function.
3. Select the self-diagnostic function menu “19-1. Version”. Check the displayed firmware version is the same as the written firmware version.

11. 本機の電源コードをACコンセントから抜きます。

12. RS232Cクロスケーブル、RS232C変換アダプター、カード電線を取り外します。

- ファームウェアのバージョンおよびチェックサムの確認
ダイアグメニューでファームウェアが正しく更新されたことを確認します。
ダイアグメニューの詳細は「自己診断(ダイアグ)」を参照してください。

1. 本機の電源コードをACコンセントに接続します。
2. 本機の“VOL+”キーと“VOL-”キーを押しながら、リモコンの“電源”キーを押し、ダイアグを起動します。
3. ダイアグ“19-1. Version”を選択します。
表示されたファームウェアのバージョンが書き込んだファームウェアのバージョンと同じであることを確認します。

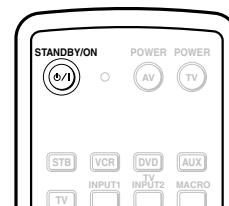
Panel key of this unit / 本機のパネルキー

Press the “STANDBY/ON” key of the remote control while pressing these keys.

これらのキーを同時に押しながら、リモコンの“電源”キーを押しします。



Key of remote control / リモコンキー



VER. B_2.0961D

- Select the self-diagnostic function menu "19-2. checksum". Check that the displayed checksum is the same as the written firmware checksum.

CHECK SUM: 148D

* When the displayed firmware version and checksum are different from written firmware version and checksum, repeat the steps from 1 to 11 of "Writing to the microprocessor" again.

• **Initializing of this unit**

* After updating the firmware, be sure to initialize this unit.

- Connect the power cable of this unit to the AC outlet.
- While pressing the "VOL+" key and "VOL-" key of this unit, press the "STANDBY/ON" key of the remote control to activate the self-diagnostic function.
- Select the self-diagnostic function menu "8. FACTORY PRESET".
- Select the "PRESET RSRV".

- ダイアグ"19-2. checksum"を選択します。表示されたチェックサムが書き込んだファームウェアのチェックサムと同じであることを確認します。

※ 表示されたファームウェアのバージョンおよびチェックサムが、書き込んだファームウェアのバージョン、およびチェックサムと異なる場合、マイコンへの書き込みの1から11までをもう一度実施してください。

• **本機の初期化**

※ ファームウェアのアップデート後は、必ず本機を初期化してください。

- 本機の電源コードをACコンセントに接続します。
- 本機の"VOL+"キーと"VOL-"キーを押しながら、リモコンの"電源"キーを押し、ダイアグを起動します。
- ダイアグ"8. FACTORY PRESET"を選択します。
- "PRESET RSRV"を選択します。

PRESET INHIBIT (Initialization inhibited) / 初期化禁止

8. PRESET INHI



PRESET RESERVED (Initialization reserved) / 初期化予約

8. PRESET RSRV

- Turn off the power of this unit and disconnect the power cable from the AC outlet.

- 本機の電源を切り、電源コードをACコンセントから抜きます。

Writing to the DSP

- Before turning on the power to this unit and PC, connect each of them using RS232C conversion jig and RS232C cable (cross cable). (Fig. 1)
- Start up DSP_FLASHER(YSP).exe, the screen will appear as shown below.

DSPへの書き込み

- 本機とPCの電源を入れる前にそれぞれをRS232C変換器具を使い、RS232Cケーブル(クロスケーブル)で接続します。(Fig. 1)
- PCのDSP_FLASHER(YSP).exeを立ち上げます。すると下記の画面が表示されます。

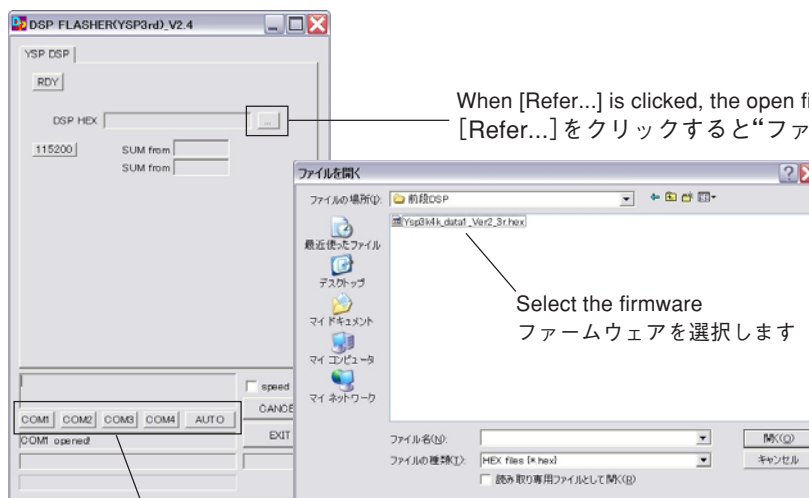


3. Select the data and port.

- **DSP HEX FILE**
Select "YSP600_data1_Verx_xr.hex".
- **RS232C**
Select the port of RS-232C.

3. 送信データ、ポートを選択します。

- **DSP HEX FILE**
"YSP600_data1_Verx_xr.hex"を選択します。
- **RS232C**
接続しているRS-232Cポートを選択します。



When [Refer...] is clicked, the open file screen is displayed.
[Refer...]をクリックすると“ファイルを開く”が表示されます。

Select the firmware
ファームウェアを選択します

Select the port of RS-232C
接続しているRS-232Cポートを選択します

* The port selection varies depending on OS of the PC.
Windows 98/2000/Me COM1-4
Windows XP COM1-2
As no port other than the above can be used, select the port using the setting of the PC.

※ ポートの選択はPC側のOSによって異なります。
Windows 98/2000/Me COM1~4
Windows XP COM1~2
上記ポート以外は使用できませんので、PC側の設定でポートを選択してください。

4. Click [RDY] to set to the standby mode.

4. [RDY]をクリックし待機状態にします。



5. Connect the power cable of this unit to the AC outlet. While pressing the “VOL+” key and “VOL-” key of this unit, press the “STANDBY/ON” key of the remote control to activate the self-diagnostic function.

a. Using the “UP” or “DOWN” key of the remote control, select the self-diagnostic function menu in the figure below.

```
TxTestCh [---]
```

b. Using the “LEFT” or “RIGHT” key of the remote control, select the self-diagnostic function sub-menu in the figure below.

```
T1 Write [OFF]
```

c. Using the “ENTER” key of the remote control, change setting as shown below. Writing of the firmware is started.

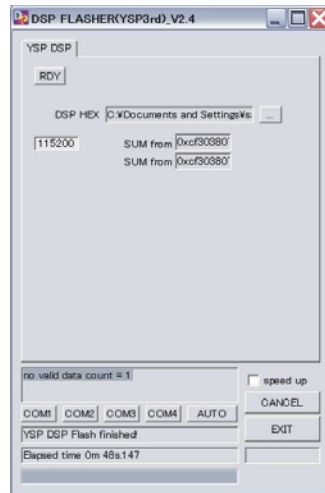
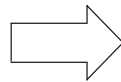
```
T1 Write [ON ]
```

Change OFF to ON
OFF → ONに変更します

6. When the program transmission is completed, the screen appears as shown below.



Writing being executed.
書き込み中



Writing completed.
書き込み完了

5. 本機の電源コードをACコンセントに接続し、本機の“VOL+”キーと“VOL-”キーを押しながら、リモコンの“電源”キーを押し、ダイアグを起動します。

a. リモコンの“UP”キーまたは“DOWN”キーを使い、下図のダイアグメニューを選択します。

b. リモコンの“LEFT”キーまたは“RIGHT”キーを使い、下図のダイアグメニューを選択します。

c. リモコンの“決定”キーを使い、下図のように変更します。すると、ファームウェアの書き込みが開始されます。

6. プログラムの送信が終了すると、以下の画面が表示されます。

7. Check the SUM.

After downloading successfully, the value of "SUM from SET" is appeared.

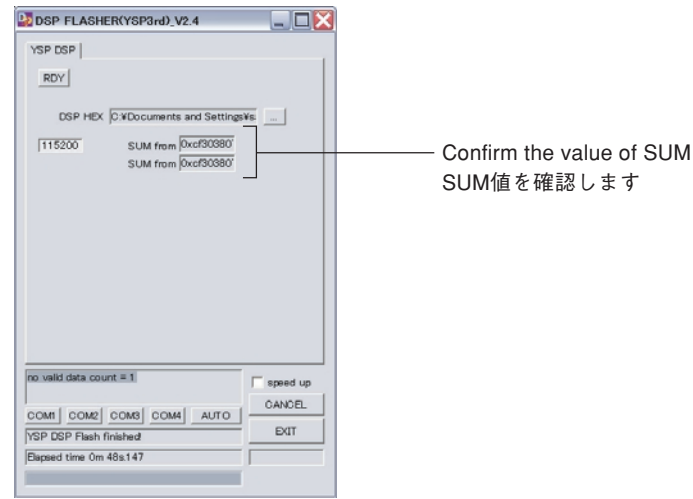
The procedure is completed when the value of "SUM from FILE" and "SUM from SET" matches.

* When the displayed firmware version and checksum are different from written firmware version and checksum, repeat the steps from 1 to 8 of "Writing to the DSP" again.

7. SUM値を確認します。

書き込み完了後"SUM from SET"が表示されます。
"SUM from FILE"と"SUM from SET"の値が同じになれば完了です。

※ 表示されたファームウェアのバージョンおよびチェックサムが、書き込んだファームウェアのバージョンおよびチェックサムと異なる場合、DSPへの書き込みの1から8までをもう一度実施してください。



8. Press the "STANDBY/ON" key of this unit to turn off the power.
9. Disconnect the power cable of this unit from the AC outlet.
10. Click [EXIT], to end "DSP FLASHER".
11. Disconnect the RS232C cross cable, RS232C conversion jig and flexible flat cable.

• Initializing of this unit

* After updating the firmware, be sure to initialize this unit.

1. Connect the power cable of this unit to the AC outlet.
2. While pressing the "VOL+" key and "VOL-" key of this unit, press the "STANDBY/ON" key of the remote control to activate the self-diagnostic function.
3. Select the self-diagnostic function menu "8. FACTORY PRESET".
4. Select the "PRESET RSRV".

8. 本機の"STANDBY/ON"キーを押し、電源オフします。
9. 本機の電源コードをACコンセントから抜きます。
10. [EXIT]をクリックして"DSP FLASHER"を終了します。
11. RS232Cクロスケーブル、RS232C変換アダプター、カード電線を取り外します。

• 本機の初期化

※ ファームウェアのアップデート後は、必ず本機を初期化してください。

1. 本機の電源コードをACコンセントに接続します。
2. 本機の"VOL+"キーと"VOL-"キーを押しながら、リモコンの"電源"キーを押し、ダイアグを起動します。
3. ダイアグ"8. FACTORY PRESET"を選択します。
4. "PRESET RSRV"を選択します。

PRESET INHIBIT (Initialization inhibited) / 初期化禁止

8. PRESET INHI



PRESET RESERVED (Initialization reserved) / 初期化予約

8. PRESET RSRV

5. Turn off the power of this unit and disconnect the power cable from the AC outlet.

5. 本機の電源を切り、電源コードをACコンセントから抜きます。

■ SELF-DIAGNOSTIC FUNCTION / ダイアグ(自己診断機能)

This unit has self-diagnostic functions that are intended for inspection, measurement and location of faulty point.

There are 21 main menu items, each of which has sub-menu items.

Listed in the table below are main menu items and sub-menu items.

Note that not all menu items listed will apply to the models covered in this service manual.

本機には、検査、測定、不良個所の発見を目的としたダイアグ(自己診断機能)があります。

メインメニューは21個あり、そのそれぞれにサブメニューがあります。

下表はメインメニュー一覧です。

下表の全メインメニュー項目が、このサービスマニュアル記載のモデルに適用されるとは限りません。

No.	Main menu	Sub-menu
1	DSP THROUGH	1. ALL
		2. FRONT L
		3. CENTER
		4. FRONT R
		5. SURROUND R
		6. SURROUND L
		7. LFE
2	RAM THROUGH	1. ALL
		2. FRONT L
		3. CENTER
		4. FRONT R
		5. SURROUND R
		6. SURROUND L
		7. LFE
3	PRO LOGIC / Neo:6	1. PRO LOGIC I (PRO LOGIC EMULATION)
		2. PRO LOGIC II
		3. Neo: 6
4	MIC CHECK	1. MIC CHECK
5	VFD CHECK	1. VFD CHECK (Initial display / 初期表示)
		2. VFD DISP OFF (All segments OFF / 全セグメント消灯)
		3. VFD DISP ALL (All segments ON 100% / 全セグメント点灯100%)
		4. VFD DIMMER (All segments ON 50% / 全セグメント点灯50%)
		5. CHECKED PATTERN (ON in lattice / 格子状点灯)
		6. CHECKED SEGMENT (1 segment lighting / 1セグメント点灯)
6	MANUAL TEST	1. TEST ALL
		2. TEST FRONT L
		3. TEST CENTER
		4. TEST FRONT R
		5. TEST SURROUND R
		6. TEST SURROUND L
		7. TEST LFE
7	RS-232C	1. TxD/RxD DATA
		2. HARD FLOW (Not applied to these models. / このモデルには適用されません)
8	FACTORY PRESET	1. PRESET INHIBIT (memory initialization inhibited / メモリーの初期化禁止)
		2. PRESET RESERVED (memory initialized / メモリーの初期化)
9	AD DATA CHECK	1. P3 (protection1)
		2. P2 (protection2)
		3. P3 (protection3)
		4. K0 / K1 (panel key)
10	IF STATUS	1. IS 1
		2. IS 2
		3. IS 3
		4. CS 1
		5. CS 2
		6. CS 3
		7. CS 4
		8. CS 5
		9. CS 6
		10. BS 1
		11. BS 2
		12. BS 3
		13. BS 4
		14. BS 5
		15. BS 6
		16. BS 7
		17. DS 1
		18. DS 2
		19. T 11
		20. T 12
		21. T 13
		22. T 21 (Not applied to these models. / このモデルには適用されません)
		23. T 22 (Not applied to these models. / このモデルには適用されません)
		24. T 23 (Not applied to these models. / このモデルには適用されません)
		25. Y 11 (Not applied to these models. / このモデルには適用されません)
		26. Y 12 (Not applied to these models. / このモデルには適用されません)
		27. Y 21 (Not applied to these models. / このモデルには適用されません)
		28. Y 22 (Not applied to these models. / このモデルには適用されません)
		29. Y 31 (Not applied to these models. / このモデルには適用されません)
		30. Y 32 (Not applied to these models. / このモデルには適用されません)
		31. MTT

No.	Main menu	Sub-menu
11	DOCK CHECK (Not applied to these models. / このモデルには適用されません)	1. LOOP TEST/ACC PWR/CONNECT
12	XM CHECK (Not applied to these models. / このモデルには適用されません)	1. 1 dB / 1 KHz (44.1 kHz)
		2. -61 dB / 1 KHz (44.1 kHz)
		3. Mute (44.1 kHz)
		4. XM TONE (44.1 kHz)
		5. ISO TONE (44.1 kHz)
		6. 1 dB / 1 KHz (32 kHz)
		7. -61 dB / 1 KHz (32 kHz)
		8. Mute (32 kHz)
		9. XM TONE (32 kHz)
		10. ISO TONE (32 kHz)
		11. Bus Power OFF
13	DAB CHECK (Not applied to these models. / このモデルには適用されません)	1. SCL DISPLAY
		2. DLS DISPLAY
		3. SIGNAL QUALITY
		4. DAB F/W VERSION
		5. DAB F/W VERSION 1-10
		6. DAB F/W VERSION 11-20
		7. DAB F/W VERSION 21-30
		8. DAB F/W VERSION 31-40
		9. DAB F/W VERSION 41-50
		10. DAB F/W VERSION 51-60
		11. DAB F/W VERSION 61-64
		12. DAB SCAN
14	HDMI AUDIO	1. SPDIF
15	HDMI INFORMATION	1. HDMI MODEL NAME
		2. SELF PRODUCT ID
		3. SELF VENDOR NAME
		4. CEC RECEIVE DATA
16	HDMI SELECT	5. SHT : (Not applied to these models. / このモデルには適用されません)
		1. NONE
		2. IN 1
		3. IN 2
		4. DECODER
17	VIDEO CONVERSION (Not applied to these models. / このモデルには適用されません)	1. I2C CHECK
		2. DIGITAL COMP
		3. DIGITAL CVBS
		4. DIGITAL Y/C
		5. ANALOG BYPASS
		6. TEST PATTERN
		7. VIDEO INFO
18	MODEL	1. MODEL NAME
		2. TUNER DESTINATION
		3. VIDEO FORMAT
19	ROM VERSION / SUM	1. VERSION (DSP ALL)
		2. CHECKSUM (ALL BOOT)
		3. CEC UPDATE (Not applied to these models. / このモデルには適用されません)
		4. CEC CPU VERSION DISPLAY
20	DATE	1. OPE 1
		2. DIGI
		3. OPE 2
		4. OPE 3
		5. OPE 4
		6. PROTECT
		7. CEC 232C (Not applied to these models. / このモデルには適用されません)
		8. CecDspFL (Not applied to these models. / このモデルには適用されません)
		9. HDMI DBG
		10. REMOTE CONTROL CODE
21	DSP CHECK	1. Tx Test Ch
		2. Tx Test
		3. T1 CHECK
		4. T2 CHECK (Not applied to these models. / このモデルには適用されません)
		5. RS232C BOOT
		6. Cert. Mode
		7. T1V
		8. T1D (Not applied to these models. / このモデルには適用されません)
		9. APP (Not applied to these models. / このモデルには適用されません)
		10. CSC (Not applied to these models. / このモデルには適用されません)
		11. SPD (Not applied to these models. / このモデルには適用されません)
		12. VR1 (Not applied to these models. / このモデルには適用されません)
		13. T1 Write

● Starting Self-Diagnostic Function

To activate the self-diagnostic function, press the "STANDBY/ON" key of the remote control while pressing 2 keys of this unit as shown below at the same time.

Panel key of this unit / 本機のパネルキー

Press the "STANDBY/ON" key of the remote control while pressing these keys of this unit.

これらのキーを同時に押しながら、リモコンの“電源”キーを押します。



● Starting Self-Diagnostic Function in the protection cancel mode

If the protection function works and causes hindrance to trouble diagnostic, cancel the protection function as described below, and it will be possible to enter the self-diagnostic function mode.

Press the "STANDBY/ON" key of the remote control while simultaneously pressing those two keys indicated in the figure above. At this time, keep pressing those two keys for 3 seconds or longer.

In this mode, the "SLEEP" segment of the FL display of this unit flashes to indicate that the mode is self-diagnostic function mode with the protection functions disabled.

CAUTION!

Using this product with the protection function disabled may cause further damage to itself. Use special care for this point when using this mode.

● Canceling Self-Diagnostic Function

[1] Before canceling self-diagnostic function, execute setting for PRESET of main menu No.8 (Memory initialization inhibited or Memory initialized).

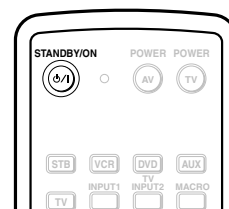
* In order to keep the user memory stored, be sure to select PRESET INHIBIT (Memory initialization inhibited). Any protection history will remain in memory.

[2] Turn off the power by pressing the "STANDBY/ON" key of this unit or the "STANDBY/ON" key of the remote control.

● ダイアグの起動

本機の下図に示すキーを同時に押しながらリモコンの“電源”キーを押すと、ダイアグが起動します。

Key of remote control / リモコンキー



● プロテクション解除モードでの起動

プロテクションが動作することにより、故障箇所の診断に支障をきたすような場合は、次の方法によりプロテクションを解除した状態でダイアグに入ることができます。

上図のキーを同時に押しながらリモコンの“電源”キーを押します。このとき、上図のキーを3秒以上押し続けてください。

このモードでは本機のFLディスプレイの“SLEEP”セグメントが点滅し、プロテクションを解除した状態でのダイアグモードであることを知らせます。

注意！

プロテクションを解除した状態でのダイアグモードは、危険な状態でもプロテクションが作動しないため、動作させると、機器を破壊することがあります。このモードを使用する場合は十分注意してください。

● ダイアグの解除

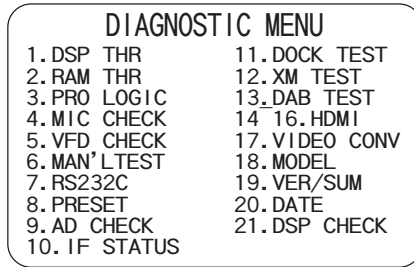
① ダイアグを解除する前に、メインメニューNo.8のFACTORY PRESET (メモリーの初期化禁止/またはメモリーの初期化)の設定をします。

※ ユーザーメモリーを保持したい場合は、必ずPRESET INHIBIT (メモリー初期化禁止)を選択してください。

② 本機の“電源”キーまたはリモコンの“電源”キーを押し、電源オフにします。

● Display provided when Self-Diagnostic Function started

When the monitor is connected, the list of main menu items is displayed on the monitor screen as shown below. (This list remains on display until the self diagnostic function is cancelled.)



● ダイアグ起動時の表示

モニターを接続してある場合は、モニターの画面に下図のようにメインメニューの一覧が表示されます。(ダイアグを解除するまで、この表示が保持されます)

The FL display of this unit displays the protection function history data and the version (1 alphabet) and the self-diagnostic function menu [sub-menu (THR ALL) of main menu No.1 DSP THROUGH] a few seconds later.

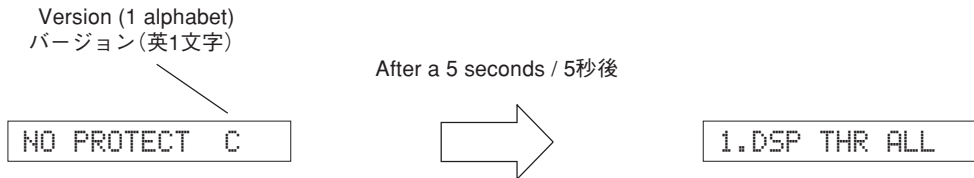
本機のFLディスプレイにプロテクション履歴情報とバージョン(英1文字)が表示され、数秒後にダイアグ(メインメニューNo.1 DSP THROUGHのサブメニューTHR ALL)になります。

When there is no history of protection function:

プロテクション履歴がない場合:

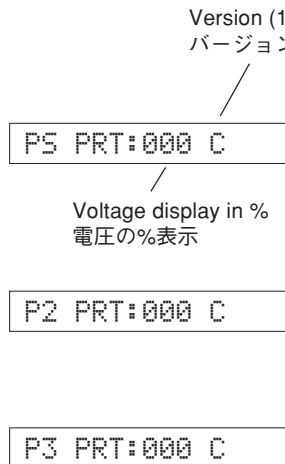
Opening message / オープニング表示

Main menu display / メインメニュー表示



When there is a history of protection function:

プロテクション履歴がある場合:



Cause: The voltage in the power supply section is abnormal.
Supplementary information: The abnormal voltage is displayed in % based on 3.3V as 100%.

原因：電源部の電圧が異常。
補足：異常時の電圧の状態を、3.3Vを100%とした値で%表示します。

Turning on the power without correcting the cause will trigger the protection function to work 1.5 second later to shut off the power supply.

異常状態のまま電源オンすると、1.5秒後にプロテクションがかかり、電源が切れます。

Version (1 alphabet)
バージョン(英1文字)

D-I_PROTECT C

Cause: Amplifier IC is abnormal.

Turning on the power without correcting the cause will trigger the protection function to work 2 second later to shut off the power supply.

原因：アンプICが異常。

異常状態のまま電源オンすると、2秒後にプロテクションがかかり、電源が切れます。

DIG MUTE PRT

Cause: Control section is abnormal.

If there is an abnormality between the microprocessor and DSP, the protection function works 25 seconds later and the power is turned off.

原因：制御部が異常。

マイコンとDSPとの間で異常があると、25秒後にプロテクションがかかり、電源が切れます。

● History of protection function

When the protection function has worked, its history is stored in memory with a backup. Even if no abnormality is noted while servicing the unit, an abnormality which has occurred previously can be defined as long as the backup data has been stored.

The history of the protection function is cleared when self-diagnostic function is cancelled by selecting PRESET RESERVED (Memory initialized) of main menu No. 8 or when the backup data is erased.

* To clear the protection history only, use the sub-menu No. 6 "PROTECT Hist (PrHist ← RESET) of main menu No. 20".

● プロテクションの履歴

プロテクションが働いた場合、履歴をバックアップして記憶しています。サービスのときに異常が認められなくても、バックアップが残っていれば、お客様のところで起きた異常を区別できます。

プロテクションの履歴は、メインメニューNo. 8で PRESET RESERVED (メモリーの初期化)を選んでダイアグを解除した場合や、バックアップが消えたときにはクリアされます。

※ プロテクション履歴のみクリアしたい場合は、メインメニューNo.20のサブメニューNo. 6"PROTECT Hist (PrtHist←RESET)"でクリアできます。

● Display during Self-Diagnostic Function operation

During the self-diagnostic function operation, the menu list described in the section of the startup screen appears on the TV screen and the function at work is indicated on the FL display. The contents displayed during the function operation are described later in the section on details of functions.

● Operation procedure of Main menu and Sub-menu

There are 21 main menu items, each of which has some sub-menu items.

Main menu selection

Select the main menu by using the UP/DOWN “△” (Reverse) “▽” (Forward) key of the remote control.

Sub-menu selection

Select the sub-menu by using the LEFT/RIGHT “◁” (Reverse) “▷” (Forward) keys.

● ダイアグ動作中の表示

ダイアグ動作中、モニター画面には起動画面の項で説明したメニュー一覧が表示されます。本機のFLディスプレイには動作中の機能が表示されます。機能動作中の表示内容については、後述の機能詳細で記述します。

● メインメニューとサブメニューの操作

ダイアグにはNo. 1～21のメニューがあり、そのそれぞれにサブメニューがあります。

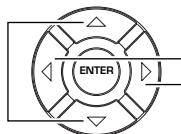
メインメニューの選択

リモコンのUP/DOWN “△” (逆送り)、“▽”(順送り)キーで選択します。

サブメニューの選択

リモコンのLEFT/RIGHT “◁”(逆送り)、“▷”(順送り)キーで選択します。

Main menu selection
メインメニューの選択



Sub-menu selection
サブメニューの選択

● Functions in Self-Diagnostic Function mode

In addition to the self-diagnostic function items, functions as listed below are available.

- Input selection
- Muting
- Level adjustment
- Power on/off
- Master volume

* Functions related to the set menu are not available.

● ダイアグ中の機能

ダイアグP、ダイアグの他に以下の機能が動作します。

- インプット切り換え
- ミューティング
- レベル調整
- 電源オン/オフ
- マスターボリューム

※ セットメニュー関連は機能しません。

● Initial settings used to start Self-Diagnostic Function

The following initial settings are used when starting self-diagnostic function.

When self-diagnostic function is canceled, these settings are restored to those before starting self-diagnostic function.

- Master volume: 30 (-40dB)
- Input: TV/STB
- Effect level: 0dB
- Audio mute: OFF
- Main menu: DSP THR ALL

● ダイアグ開始時の初期設定

ダイアグ開始時に以下のような設定になります。ダイアグ解除時にはダイアグ開始前の状態に戻ります。

- マスターボリューム：30(-40dB)
- インプット：テレビ/チューナー
- エフェクトレベル：0dB
- オーディオミュート：オフ
- メインメニュー：DSP THR ALL

● Details of Self-Diagnostic Function menu

1. DSP THROUGH

The signal is not changed into beam and output from the channel specified by the sub-menu.

When 2CH signals are input, they are distributed as follows at DSP (IC206 DSP P.C.B.).

L CH FRONT L, SURROUND L, CENTER, LFE
R CH FRONT R, SURROUND R

Delay of each channel processed at DSP (IC206 DSP P.C.B.) is invalid.

DSP THR ALL

- All outputs (FRONT L/R, CENTER, SURROUND L/R, LFE) are provided.

1.DSP THR ALL

DSP THR FRONT L

- FRONT L output.
- LFE is output through FRONT L only but not in digital full bit.

1.DSP THR FL

DSP THR CENTER

- CENTER output.
- LFE is output through CENTER only but not in digital full bit.

1.DSP THR C

DSP THR FRONT R

- FRONT R output.
- LFE is output through FRONT R only but not in digital full bit.

1.DSP THR FR

DSP THR SURROUND R

- SURROUND R output.
- LFE is output through SURROUND R only but not in digital full bit.

1.DSP THR SR

DSP THR SURROUND L

- SURROUND L output.
- LFE is output through SURROUND L only but not in digital full bit.

1.DSP THR SL

DSP THR LFE (SUBWOOFER OUT)

- LFE output.

1.DSP THR LFE

● ダイアグメニュー詳細

1. DSP THROUGH

ビーム化は行わず、サブメニューの指定CHから出力します。

2CH信号入力時はDSP (IC206 DSP P.C.B.)にて以下のように信号を振り分けます。

L CH FRONT L, SURROUND L, CENTER, LFE
R CH FRONT R, SURROUND R

DSP (IC206 DSP P.C.B.)にて処理される各CHのDelayは無効です。

DSP THR ALL

- すべて (FRONT L/R, CENTER, SURROUND L/R, LFE) が出力されます。

DSP THR FRONT L

- FRONT Lが出力されます。
- LFEはFRONT Lのみ出力されますが、デジタルフルビットではありません。

DSP THR CENTER

- CENTERが出力されます。
- LFEはCENTERのみ出力されますが、デジタルフルビットではありません。

DSP THR FRONT R

- FRONT Rが出力されます。
- LFEはFRONT Rのみ出力されますが、デジタルフルビットではありません。

DSP THR SURROUND R

- SURROUND Rが出力されます。
- LFEはSURROUND Rのみ出力されますが、デジタルフルビットではありません。

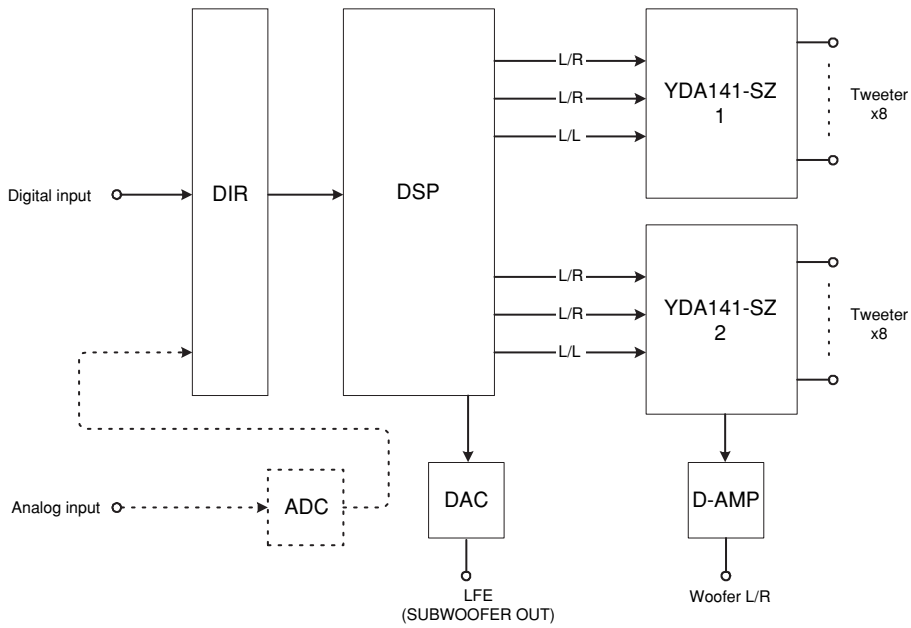
DSP THR SURROUND L

- SURROUND Lが出力されます。
- LFEはSURROUND Lのみ出力されますが、デジタルフルビットではありません。

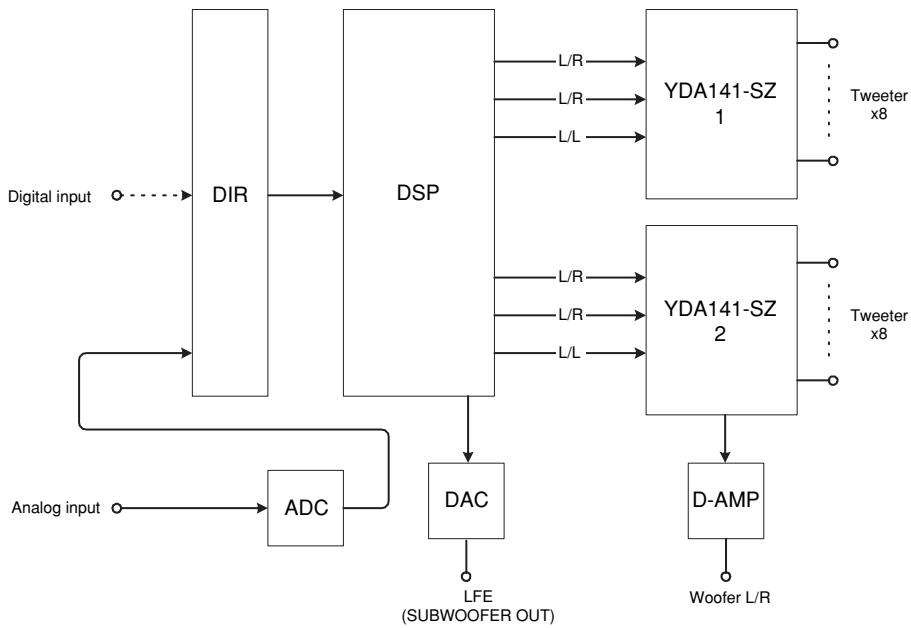
DSP THR LFE (SUBWOOFER OUT)

- LFEが出力されます。

[Digital]



[Analog]



2. RAM THROUGH

The signal is not changed into beam and output from the channel specified by the sub-menu.

When 2CH signals are input, they are distributed as follows at DSP (IC206 DSP P.C.B.).

L CH FRONT L, SURROUND L, CENTER, LFE
R CH FRONT R, SURROUND R

Delay of each channel processed at DSP (IC206 DSP P.C.B.) is valid.

RAM THR ALL

- All outputs (FRONT L/R, CENTER, SURROUND L/R, LFE) are provided.

2.RAM THR ALL

RAM THR FRONT L

- FRONT L output.
- LFE is output through FRONT L only but not in digital full bit.

2.RAM THR FL

RAM THR CENTER

- CENTER output.
- LFE is output through CENTER only but not in digital full bit.

2.RAM THR C

RAM THR FRONT R

- FRONT R output.
- LFE is output through FRONT R only but not in digital full bit.

2.RAM THR FR

RAM THR SURROUND R

- SURROUND R output.
- LFE is output through SURROUND R only but not in digital full bit.

2.RAM THR SR

RAM THR SURROUND L

- SURROUND L output.
- LFE is output through SURROUND L only but not in digital full bit.

2.RAM THR SL

RAM THR LFE (SUBWOOFER OUT)

- LFE output.

2.RAM THR LFE

2. RAM THROUGH

ビーム化は行わず、サブメニューの指定CHから出力します。

2CH信号入力時はDSP (IC206 DSP P.C.B.)にて以下のように信号を振り分けます。

L CH FRONT L, SURROUND L, CENTER, LFE
R CH FRONT R, SURROUND R

DSP (IC206 DSP P.C.B.)にて処理される各CHのDelayは有効です。

RAM THR ALL

- すべて (FRONT L/R, CENTER, SURROUND L/R, LFE) が出力されます。

RAM THR FRONT L

- FRONT Lが出力されます。
- LFEはFRONT Lのみ出力されますが、デジタルフルビットではありません。

RAM THR CENTER

- CENTERが出力されます。
- LFEはCENTERのみ出力されますが、デジタルフルビットではありません。

RAM THR FRONT R

- FRONT Rが出力されます。
- LFEはFRONT Rのみ出力されますが、デジタルフルビットではありません。

RAM THR SURROUND R

- SURROUND Rが出力されます。
- LFEはSURROUND Rのみ出力されますが、デジタルフルビットではありません。

RAM THR SURROUND L

- SURROUND Lが出力されます。
- LFEはSURROUND Lのみ出力されますが、デジタルフルビットではありません。

RAM THR LFE (SUBWOOFER OUT)

- LFEが出力されます。

3. PRO LOGIC / Neo:6

PRO LOGIC I, II, Neo:6 can be selected from the sub-menu items.

PRO LOGIC I (PRO LOGIC EMULATION)

3.PRO LOGIC I

PRO LOGIC II

3.PRO LOGIC II

Neo:6

3. Neo:6

3. PRO LOGIC / Neo:6

サブメニューでPRO LOGIC I、II、Neo:6を選択可能です。

PRO LOGIC I (PRO LOGIC EMULATION)**PRO LOGIC II****Neo:6****4. MIC CHECK**

The signal input through the microphone is output via AD-DA at the output terminal of the subwoofer.

4.MIC CHK

4. MIC CHECK

マイク入力された信号をAD-DA経由でサブウーファー出力端子へ出力します。

5. VFD CHECK

Use this program to check the FL display section and video control section. When checking the video control section, prepare a monitor and video pin cable and connect them.

Selection of the FL display section or video control section varies according to the submenu operation on the next page.

5. VFD CHECK

5. VFD CHECK

FL表示部および映像表示部のチェックプログラムです。映像制御部をチェックする場合には、モニター、ビデオ用ピンケーブルを準備し接続します。

サブメニュー操作により、FL表示部と映像表示部の選択が連動して変わります。

Checking FL display section /
FL表示部のチェック

Initial display / 初期表示



All segments OFF / 全セグメント消灯



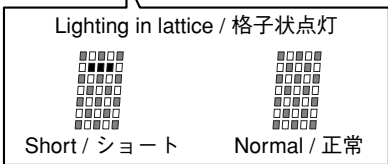
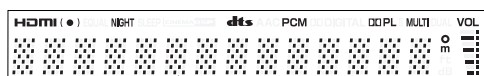
All segments ON (dimmer 100 %) /
全セグメント点灯(ディマー100%)



All segments ON (dimmer 50 %) /
全セグメント点灯(ディマー50%)



Lighting of segments in lattice /
セグメント格子状点灯



1 segment lighting / 1セグメント点灯



Have each segment lit up. For selection of the segment, use "Confirm" and "Return" keys of the remote controller. 各セグメントを点灯します。操作は、リモコンの“決定”、“戻る”キーで選択します。

Check of the Video control section. (Video out) /
映像表示部のチェック(ビデオー出力)

Initial display (main menu items) /
初期表示(メインメニュー一覧)

OSD OFF /
OSD表示オフ

OSD OFF /
OSD表示オフ

OSD characters 1 ON /
OSDキャラクター1表示オン

OSD CHAR PATTERN 1 (000~OFF)



[Sample: YSP-600 (G model)]

OSD characters 2 ON /
OSDキャラクター2表示オン

OSD CHAR PATTERN 2 (100~1FF)



◀▶ 総括

[Sample: YSP-600 (G model)]

OSD background color display / OSD背景色表示

OSD background color display

Have each plain color background displayed. For selection of the background, use "Confirm" and "Return" keys of the remote controller.

OSD背景色表示

各色無地の背景を表示します。操作は、リモコンの“決定”、“戻る”キーで選択します。

6. MANUAL TEST

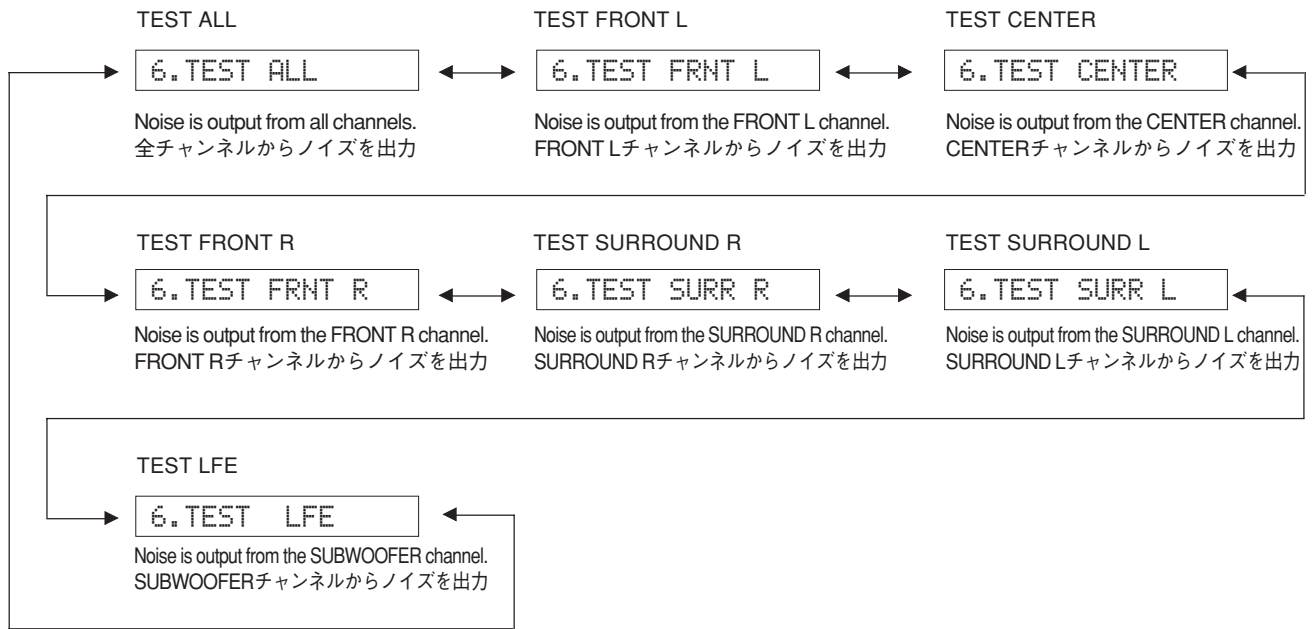
The noise generator with a built-in DSP outputs the test noise through the channels specified by the sub-menu.

The noise frequency is 30 to 80Hz for LFE and 500 to 2kHz for other channels.

6. MANUAL TEST

DSP内蔵のノイズ発生回路によって、サブメニューで指定したチャンネルへテストノイズを出力します。

LFE用のノイズ周波数は30～80Hz、それ以外は500～2kHzとなります。



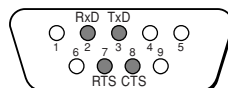
7. RS-232C

This menu is used to check transmission of the data and the flow port of the hardware.

With the power turned off, short between pins No. 2 (RxD) and No. 3 (TxD), and between pins No. 7 (RTS) and No. 8 (CTS) of the RS232C terminal. (Be sure to turn off the power when shorting the pins.)

Start self-diagnostic function and select the menu.

There are two sub-menu items.



TxD/RxD DATA

The sub-menu is used to check transmission of the test data. "OK" appears when the data is transmitted properly and "NG" when it is not.

In this mode, NULL command transmission is continued after the test command is transmitted.

```
7. TxRxData:NG
```

HARD FLOW

Not applied to these models.

7. RS-232C

データ送受信チェック、ハードウェアフローポートチェックを行うメニューです。

パワーオフ状態にしてから、RS232C端子の2ピン(RxD)と3ピン(TxD)、7ピン(RTS)と8ピン(CTS)をショートさせます。(ショートさせるときは必ず電源を切ってください。)

ダイアグを起動してメニューを選択します。

サブメニューは2つあります。

TxD/RxD Data

テストの送受信チェックを行います。正常に送受信完了した場合、“OK”と表示します。正常に送受信しなかった場合は“NG”と表示します。

このモードでは、テストコマンド送信後、200msごとにNULLコマンド(無効なコマンド)を送信し続けます。

HARD FLOW

このモデルには適用されません。

```
7. HardFlow:NG
```

8. FACTORY PRESET

This menu is used to reserve and inhibit initialization of the back-up RAM.

```
8. PRESET INHI
```



```
8. PRESET RSRV
```

PRESET INHIBIT (Initialization inhibited) / PRESET INHIBIT (初期化禁止)

RAM initialization is not executed. Select this sub-menu to protect the values set by the user.

RAMの初期化は行われません。ユーザーの設定値を保護するときは、こちらを選択してください。

PRESET RESERVED (Initialization reserved) / PRESET RESERVED (初期化予約)

Initialization of the back-up RAM is reserved. (Actually, initialization is executed the next time that the power is turned on.) Select this sub-menu to reset to the original factory settings or to reset the RAM. Any protection history will be cleared.

バックアップRAMの初期化が予約されます。(実際に初期化されるのは、次回の電源投入時です。)工場出荷時やRAMをリセットしたいときは、こちらを選択してください。

9. AD DATA CHECK

This menu is used to display the A/D conversion value of the main microprocessor which detects panel keys of this unit and protection functions in % using the sub-menu. During signal processing, the condition before execution is maintained.

PS (Power supply voltage protection detection)

* When the value of PS, P2 and P3 is not at the normal value level, the protection function works and the power is turned off.
(Reference voltage: 3.3V=100%)

PS (PS1) Voltage detects: -24V, +5V, +6.3V
Normal value: 48.7 to 91.3 %
(1.6 to 3.0 V)

P2 (PS2) Voltage detects: +12V, +10V, D+12
Normal value: 63.9 to 88.2 %
(2.1 to 2.9 V)

P3 (PS3) Voltage detects: +3.3 V
Normal value: 66.9 to 85.2 %
(2.2 to 2.8 V)

* The normal value has been revised from 2.5V (measured value) to 3.3V (indicated value) by the voltage dividing resistor.

9. AD DATA CHECK

本機のパネルキー、プロテクションなどを検出しているメインマイコンのA/D変換の値を、サブメニューで%表示します。信号処理は実行前の状態を維持します。

PS (電源電圧プロテクションの検出)

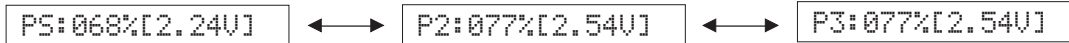
※ PS、P2、P3は正常値を外れるとプロテクションが働き、電源オフされます。
(基準電圧：3.3V=100%)

PS(PS1) 検出電圧： -24V、+5V、+6.3V
正常値： 48.7～91.3 % (1.6～3.0 V)

P2(PS2) 検出電圧： +12 V、+10 V、D+12
正常値： 63.9～88.2 % (2.1～2.9 V)

P3(PS3) 検出電圧： +3.3 V
正常値： 66.9～85.2 % (2.2～2.8 V)

※ 正常値は分圧抵抗によって2.5V(実測値)から3.3V(表示値)へ変更されています。



K0/K1 (Panel key of this unit)

A/D of the key fails to function properly when the standard value is deviated by ±2%. In this case, check the constant of voltage dividing resistor, solder condition, etc.
(Reference voltage: 3.3V=100%)

K0/K1 (本機パネルキー)

キーのA/Dは基準値から±2%を外れると、正常な動きをしません。下表をご覧になり、各キーの分圧抵抗の定数、ハンダ不良等の確認をしてください。
(基準電圧：3.3V=100%)



[%]	K0	K1
0±2	VOLUME +	VOLUME -
10±2	INPUT	-
100-2	NO KEY	NO KEY

10. IF STATUS (Input function status)

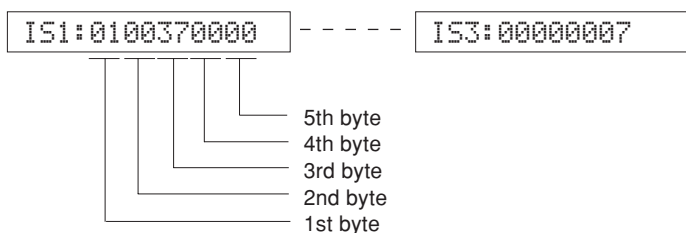
Using the sub-menu, the status data is displayed one after another in the hexadecimal notation.

During signal processing, the status before execution of this menu is maintained.

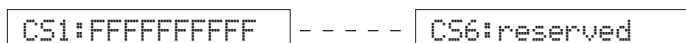
- * The details of the following status information can not be disclosed because of the development purpose.
- * The figures in the diagram are given as reference only.

IS1-3 (Internal status):

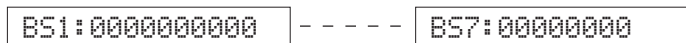
Indicates the status information of the microprocessor.

**CS1-6:**

Indicates channel status information of the input signal (IEC60958).

**BS1-7:**

Indicates information of the bit stream included in the dts and AAC signal.

**DS1-2:**

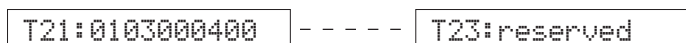
Register information of the DIR.

**T11-3:**

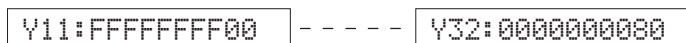
Operation information of the DSP (IC206 DSP P.C.B.).

**T21-3:**

Not applied to these models.

**Y11-2, 21-2, 31-2:**

Not applied to these models.

**MTT:**

Operation information of mute trigger.

**10. IF STATUS**

サブメニュー操作により、以下のステータス情報を順次16進数で表示します。信号処理は、本メニュー実行前の状態を維持します。

- ※ ステータス情報の詳細説明に関しては、開発用のため記載できません。
図中の数値は参考例です。

IS1-3 (内部ステータス):

マイコンのステータス情報を表示します。

CS1-6:

入力信号のIEC60958チャンネルステータス情報を表示します。

BS1-7:

dts信号およびAAC信号に含まれるビットストリームインフォメーション情報を表示します。

DS1-2:

DIRのレジスタ情報を表示します。

T11-3:

DSP (IC206 DSP P.C.B.) の動作情報を表示します。

T21-3:

このモデルには適用されません。

Y11-2, 21-2, 31-2:

このモデルには適用されません。

MTT:

ミュートトリガーの情報を表示します。

11. DOCK CHECK

Not applied to these models.

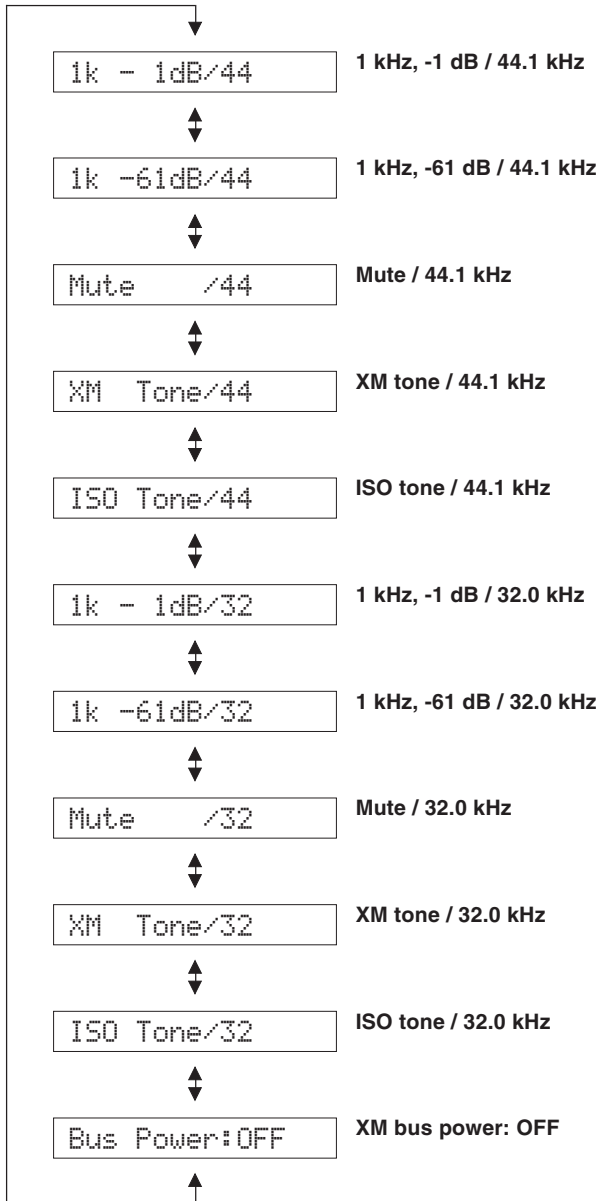
11.DOCK:NG NNY

11. DOCK CHECK

このモデルには適用されません。

12. XM CHECK

Not applied to these models.



13. DAB CHECK

Not applied to these models.

DAB SCL

SCL:

DLS (Dynamic Label Segment)

DLS:

SIGNAL QUALITY

Signal 0.:

DAB MODULE VERSION 0-7

U-0:

U-1:

⋮

U-7:

DAB SCAN

DAB SCAN

↓
SCL:

14. HDMI AUDIO

The sound signal input to HDMI IN is output.

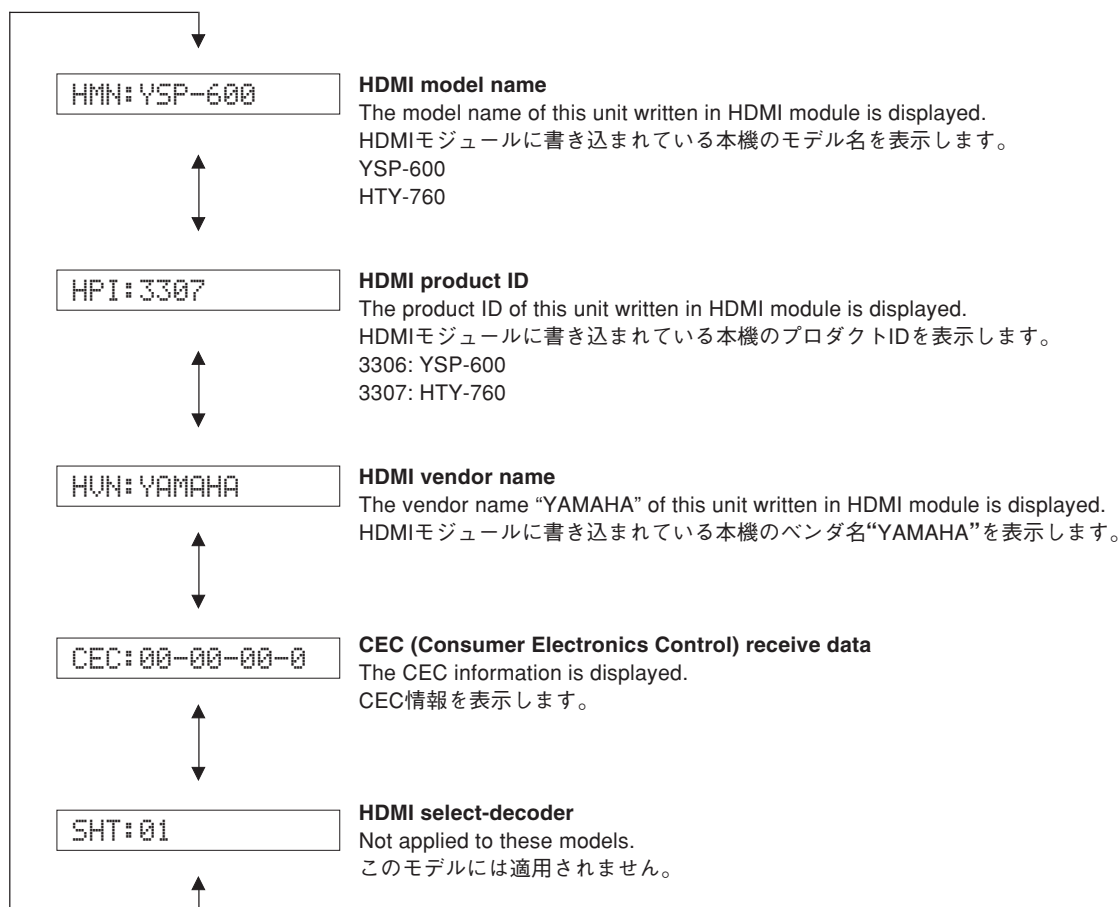
SPDIF

14. HDMI AUDIO

HDMI INに入力された音声信号を出力します。

15. HDMI INFORMATION

15. HDMI INFORMATION



16. HDMI SELECT

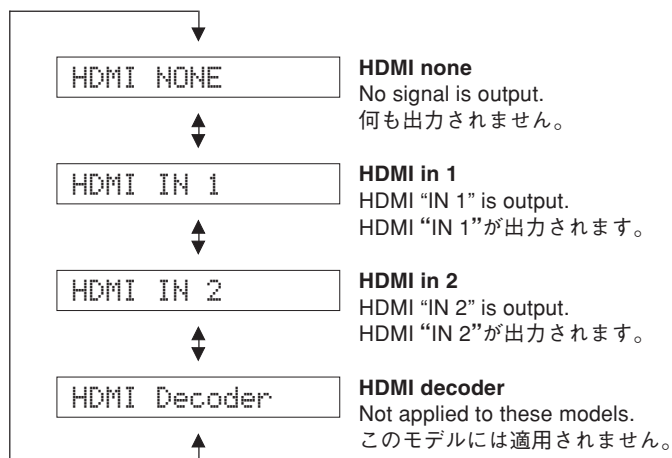
The selected input signal is output to HDMI OUT by the sub-menu operation.

* Support audio is set to "OTHER".

16. HDMI SELECT

サブメニュー操作により、選択された入力信号をHDMI OUTへ出力します。

※ SUPPORT AUDIOは"OTHER"に設定されます。



17. VIDEO CONVERSION

Not applied to these models.

I2C CHECK

I2C:00000000

DIGITAL COMPONENT

DIGITAL COMP

DIGITAL CVBS

DIGITAL CVBS

DIGITAL Y/C

DIGITAL Y/C

ANALOG BYPASS

ANALOG BYPASS

TEST PATTERN

TEST PATTERN

VIDEO INFORMATION

VIDEO IN 480i

17. VIDEO CONVERSION

このモデルには適用されません。

I2C CHECK

DIGITAL COMPONENT

DIGITAL CVBS

DIGITAL Y/C

ANALOG BYPASS

TEST PATTERN

VIDEO INFORMATION

18. MODEL

The information on the model, destination and video format is displayed.

MODEL NAME

YSP-600 or HTY-760 is displayed.

```
MODEL: YSP-600
```

DESTINATION

UC, TABGEFL (YSP-600), KV or BGEF (HTY-760) is displayed.

```
DEST : GE
```

VIDEO FORMAT

NTSC (U, C, K, V models)
PAL (T, A, B, G, E, F, L models)

```
VIDEO: PAL
```

18. MODEL

モデル、仕向、ビデオフォーマットの情報を表示します。

MODEL NAME

YSP-600を表示します。

DESTINATION

Jを表示します。

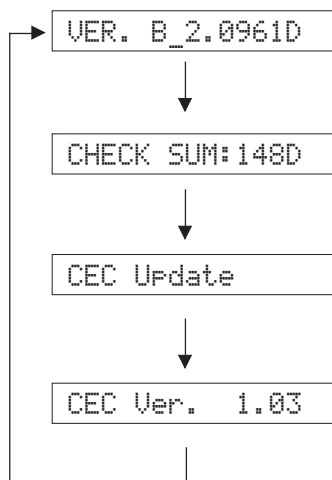
VIDEO FORTMAT

NTSC

19. VERSION/CHECK SUM

The firmware version and checksum are displayed.
The checksum is obtained by adding the data at every 16 bits for each program area and expressing the result as a 4-figure hexadecimal data.

* Numeric values in the figure example are for reference.

**19. バージョン/チェックサム情報**

ファームウェアのバージョン、チェックサムを表示します。
チェックサムは、プログラムエリア別にデータを16ビットごとに加算していき、4桁の16進データで現したものです。

※ 図中の数値は参考例です。

Version / バージョン情報

Firmware version of microprocessor (IC211 DSP P.C.B.) is displayed.
マイコン(IC211 DSP P.C.B.)のファームウェアバージョンを表示します。

Checksum / チェックサム表示

Checksum value of microprocessor (IC211 DSP P.C.B.) is displayed.
マイコン(IC211 DSP P.C.B.)のチェックサムバージョンを表示します。

CEC update / CEC update

Not applied to these models.
このモデルには適用されません。

CEC microprocessor version / CEC マイコンバージョン表示

Not applied to these models. (U, C, T, K, A, B, G, E, F, L models)
CEC(IC16 HDMI P.C.B.)のファームウェアバージョンを表示します。

20. DATE

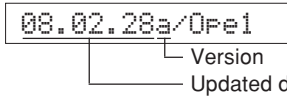
The updated date of the program, clearance of the protection history and the remote control reception code are displayed.

When Remo Code menu is selected, keys become non-operable due to detection of the values of all keys. However, it is possible to advance to the next sub-menu by pushing the "INPUT" key of this unit.

* Numeric values in the figure example are for reference.

MAIN / SUB, 2, 3, 4

The updated date of the microprocessor firmware is displayed.



The updated dates of the operation, tuner and CEC sections are displayed. / オペレーション、チューナー、CEC部の更新日付を表示します



The updated date of the digital section is displayed. / デジタル部の更新日付を表示します



The updated dates of the set menu and automatic adjustment sections are displayed. / 表示セットメニュー、自動調整部の更新日付を表示します



The updated dates of the HDMI, XM and DOCK (iPod) display sections are displayed. / HDMI、XM、DOCK(iPod)表示部の更新日付を表示します



The updated date of the DAB/VIDEO conversion section is displayed. / DAB/ビデオコンバージョン部の更新日付を表示します

PROTECT HISTORY DELETE

Reserve/Cancel can be selected by using the "ENTER" and "RETURN" keys of the remote control.

20. DATE

プログラムの更新日付、プロテクション履歴のクリア、リモコン受信コードを表示します。

Remo Codeのメニューにすると、リモコンの全キーの値を検出するためキー操作はできなくなりますが、本機の"INPUT"キーを押すことにより、次のサブメニューに進めることができます。

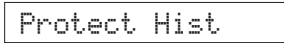
※ 図中の数値は参考例です。

MAIN / SUB, 2, 3, 4

マイコンのファームウェアの更新日付を表示します。

プロテクション履歴削除の予約/解除

リモコンの"決定"、"戻る"により予約/解除が選択できます。

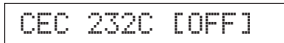


CEC (Consume Electronics Control)CODE OUTPUT

Not applied to these models.

CECコード出力

このモデルには適用されません。

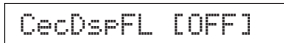


CEC EXTENDED DSP DISPLAY

Not applied to these models.

CEC拡張DSP FL表示

このモデルには適用されません。



HDMI DEBUG MODE SELECT

Not applied to these models.

HDMIデバッグモード切替

このモデルには適用されません。



REMOTE CONTROL CODE DISPLAY

The reception code of the remote control can be checked.

リモコン受信コード表示

リモコン受信コードが確認できます。



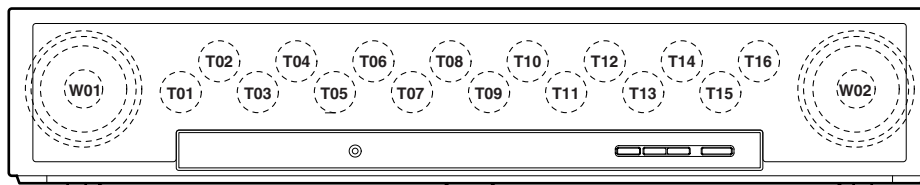
21. DSP CHECK

Tx Test Ch

Have the sound produced from each driver to check its condition and installation position.

Use the "ENTER" and "RETURN" keys of the remote control for selection.

TxTestCh [---]



- T01-T16 Tweeter
- W01-W02 Woofer
- ALL Sound is output from all drivers
- --- OFF

Tx Test

Select the sound to be produced in Tx Test Ch.

Use the "ENTER" and "RETURN" keys of the remote control for switching.

- NOISE The noise is output.
- SOURCE The external input is output.

TxTest: NOISE

T1 CHECK

Execute self-diagnosis of DSP (IC206 DSP P.C.B.)

Use the "ENTER" key of the remote control for execution.

T1:Not Checked

T2 CHECK

Not applied to these models.

T2:Not Checked

21. DSP CHECK

Tx Test Ch

各スピーカーユニットを鳴らし、不良・取付位置の確認をします。

リモコンの“決定”、“戻る”キーを使って選択します。

- T01-T16 ツイーター
- W01-W02 ウーファー
- ALL すべてのスピーカーユニットから出力されます
- --- OFF

Tx Test

Tx Test Chで鳴らす音を選択します。

リモコンの“決定”、“戻る”キーにて切り替えます。

- NOISE ノイズを出力します。
- SOURCE 外部入力を出力します。

T1 CHECK

DSP (IC206 DSP P.C.B.) を自己診断します。

リモコンの“決定”キーを使って実行します。

T2 CHECK

このモデルには適用されません。

Display / 表示	Description / 判断
Not Checked	Self-diagnosis not executed / 自己診断未実施
Wait	Self-diagnosis being executed / 自己診断実行中
No Error	No error detected / エラー検出なし
Err-DSP	Error of DSP operation detected / DSPの動作についてエラーを検出
Err-SRAM	Error of I/F with SRAM detected / SRAMとのI/Fについてエラーを検出
Err-FLASH	Error of IF with FLASH ROM detected / FLASH ROMとのI/Fについてエラーを検出
Err-Unknown	Error other than above detected / 上記以外のエラーを検出
reserved	Function not applicable / 機能は非対応

RS232C

Use the “ENTER” and “RETURN” keys of the remote control for selection.

RS232C: YAMAHA

RS232C

リモコンの“決定”、“戻る”キーを使って選択します。

Cert Mode

Select the special mode for testing.

Cert.Mode[OFF]

Cert Mode

試験用の特殊モードを選択します。

* Be sure to set to “OFF”
※ 必ず“OFF”にしてください

T1V

The version of T1V (DSP) is displayed.

T1V:0309r

T1V

T1V(DSP)のバージョンを表示します。

T1D

Not applied to these models.

T1D:-----

T1D

このモデルには適用されません。

APP

Not applied to these models.

APP:Wait

APP

このモデルには適用されません。

CSC

Not applied to these models.

CSC:Wait

CSC

このモデルには適用されません。

SPD

Not applied to these models.

SPD:Wait

SPD

このモデルには適用されません。

VR1

Not applied to these models.

VR1:reserved

VR1

このモデルには適用されません。

T1 Write

Select OFF/ON of firmware writing.
Use the “ENTER” and “RETURN” keys of the remote control for selection.

* Keep OFF selected other than when writing the firmware.

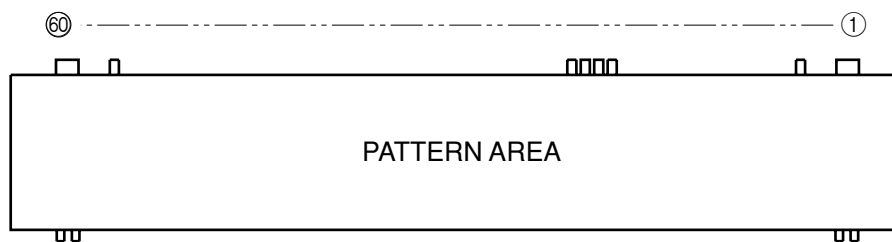
T1 Write [OFF]

T1 Write

ファームウェアの書き込みのOFF/ONを選択します。
リモコンの“決定”、“戻る”キーを使って選択します。
※ ファームウェアの書き込み時以外はOFFにします。

■ DISPLAY DATA

● V901 : 15-BT-115GNKF (INPUT P.C.B.)

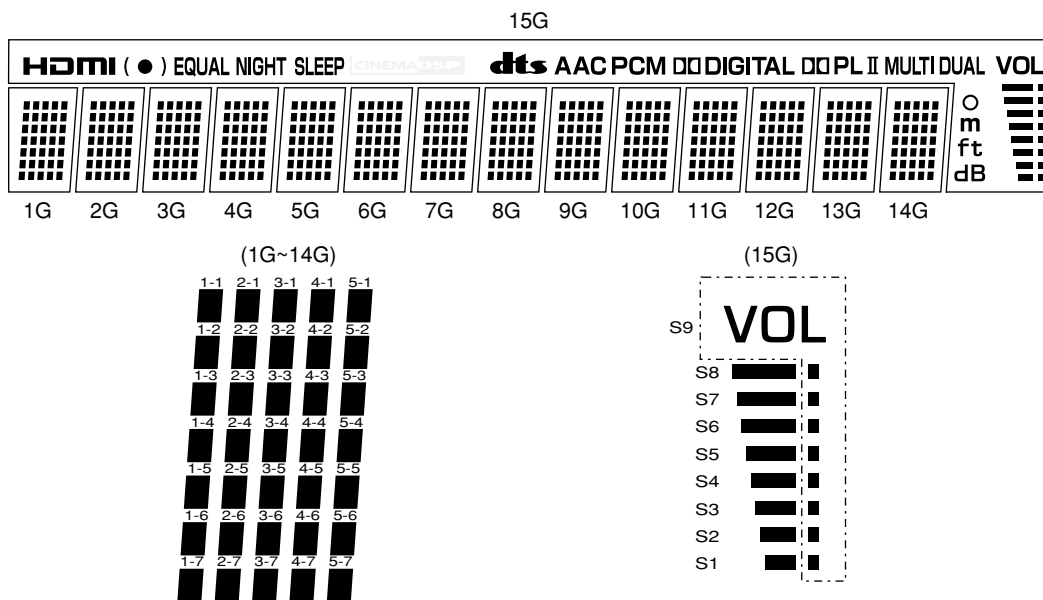


● PIN CONNECTION

Pin No.	60	59	58	57	56	55	54	53	52	51	50	49	48	47	46	45	44	43	42	41	40	39	38	37	36	35	34	33	32	31
Connection	F2	NX	NP	NP	P1	P2	P3	P4	P5	P6	P7	P8	P9	P10	P11	P12	P13	P14	P15	P16	P17	P18	P19	P20	P21	P22	P23	P24	P25	P26
Pin No.	30	29	28	27	26	25	24	23	22	21	20	19	18	17	16	15	14	13	12	11	10	9	8	7	6	5	4	3	2	1
Connection	P27	P28	P29	P30	P31	P32	P33	P34	P35	NX	NX	15G	14G	13G	12G	11G	10G	9G	8G	7G	6G	5G	4G	3G	2G	1G	NP	NP	NX	F1

Note : 1) F1, F2 Filament 2) NP No pin 3) NX No extended Pin 4) 1G ~ 15G Grid

● GRID ASSIGNMENT



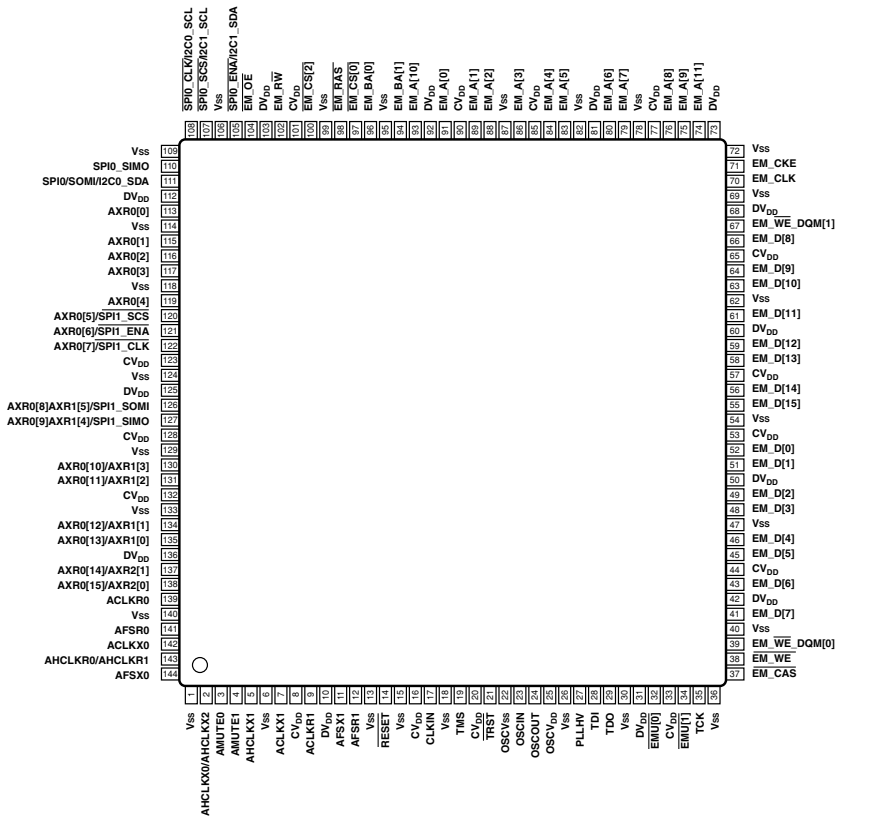
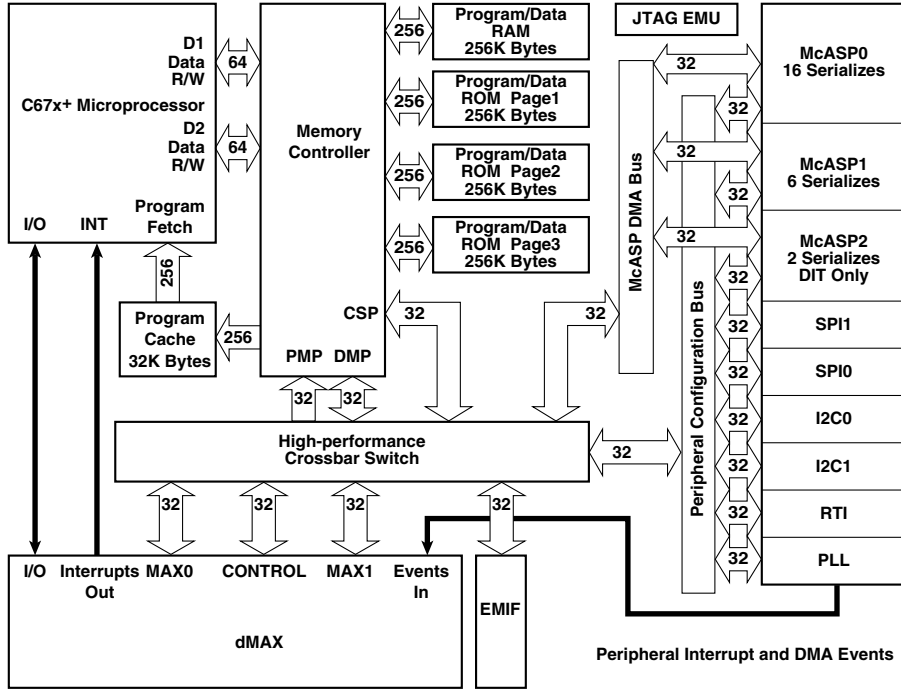
● ANODE CONNECTION

	1G~14G	15G		1G~14G	15G		1G~14G	15G
P1	1-1	—	P13	3-3	□□PL	P25	5-5	○
P2	2-1	—	P14	4-3	II	P26	1-6	dB
P3	3-1	HDMI	P15	5-3	—	P27	2-6	S9
P4	4-1	—	P16	1-4	—	P28	3-6	S8
P5	5-1	(●)	P17	2-4	—	P29	4-6	S7
P6	1-2	EQUAL	P18	3-4	—	P30	5-6	S6
P7	2-2	NIGHT	P19	4-4	—	P31	1-7	S5
P8	3-2	SLEEP	P20	5-4	—	P32	2-7	S4
P9	4-2	dts	P21	1-5	MULTI	P33	3-7	S3
P10	5-2	AAC	P22	2-5	DUAL	P34	4-7	S2
P11	1-3	PCM	P23	3-5	m	P35	5-7	S1
P12	2-3	□□DIGITAL	P24	4-5	ft			

IC DATA

IC206: D70YE101BRFP266 (DSP P.C.B.)
Decoder/Post processor

* No replacement part available. / サービス部品供給なし



Pin No.	Function Name	I/O			Detail of Function
		TYPE ⁽¹⁾	PULL ⁽²⁾	GPIO ⁽³⁾	
External memory interface (EMIF) address and control					
37	EM_CAS	O	–	N	SDRAM column address strobe
38	EM_WE	O	–	N	SDRAM write enable
39	EM_WE_DQM[0]	O	–	N	Write enable or byte enable for EM_D[7:0]
67	EM_WE_DQM[1]	O	–	N	Write enable or byte enable for EM_D[15:8]
70	EM_CLK	O	–	N	SDRAM clock
71	EM_CKE	O	–	N	SDRAM clock enable
74	EM_A[11]	O	–	N	EMIF address bus
75	EM_A[9]	O	–	N	
76	EM_A[8]	O	–	N	
79	EM_A[7]	O	–	N	
80	EM_A[6]	O	–	N	
83	EM_A[5]	O	–	N	
84	EM_A[4]	O	–	N	
86	EM_A[3]	O	–	N	
88	EM_A[2]	O	–	N	
89	EM_A[1]	O	–	N	
91	EM_A[0]	O	–	N	
93	EM_A[10]	O	–	N	
94	EM_BA[1]	O	–	N	
96	EM_BA[0]	O	–	N	
97	EM_CS[0]	O	–	N	SDRAM chip select
98	EM_RAS	O	–	N	SDRAM row address strobe
100	EM_CS[2]	O	–	N	Asynchronous memory chip select
102	EM_RW	O	–	N	Asynchronous memory read/not write (No connected.)
104	EM_OE	O	–	N	SDRAM output enable
External memory interface (EMIF) data bus					
41	EM_D[7]	I/O	–	N	EMIF data bus [Lower 16-bit]
43	EM_D[6]	I/O	–	N	
45	EM_D[5]	I/O	–	N	
46	EM_D[4]	I/O	–	N	
48	EM_D[3]	I/O	–	N	
49	EM_D[2]	I/O	–	N	
51	EM_D[1]	I/O	–	N	
52	EM_D[0]	I/O	–	N	
55	EM_D[15]	I/O	–	N	
56	EM_D[14]	I/O	–	N	
58	EM_D[13]	I/O	–	N	
59	EM_D[12]	I/O	–	N	
61	EM_D[11]	I/O	–	N	
63	EM_D[10]	I/O	–	N	
64	EM_D[9]	I/O	–	N	
66	EM_D[8]	I/O	–	N	
McASP0, McASP1, McASP2 and SPI1 serial ports					
2	AHCLKX0/AHCLKX2	I/O	–	Y	McASP0 and McASP2 transmit master clock
3	AMUTE0	O	–	Y	McASP0 mute output
4	AMUTE1	O	–	Y	McASP1 mute output
5	AHCLKX1	I/O	–	Y	McASP1 transmit master clock
7	ACLKX1	I/O	–	Y	McASP1 transmit bit clock
9	ACLKR1	I/O	–	Y	McASP1 receive bit clock
11	AFSX1	I/O	–	Y	McASP1 transmit frame sync (L/R clock)
12	AFSR1	I/O	–	Y	McASP1 receive frame sync (L/R clock)
113	AXR0[0]	I/O	–	Y	McASP0 serial data 0
115	AXR0[1]	I/O	–	Y	McASP0 serial data 1
116	AXR0[2]	I/O	–	Y	McASP0 serial data 2

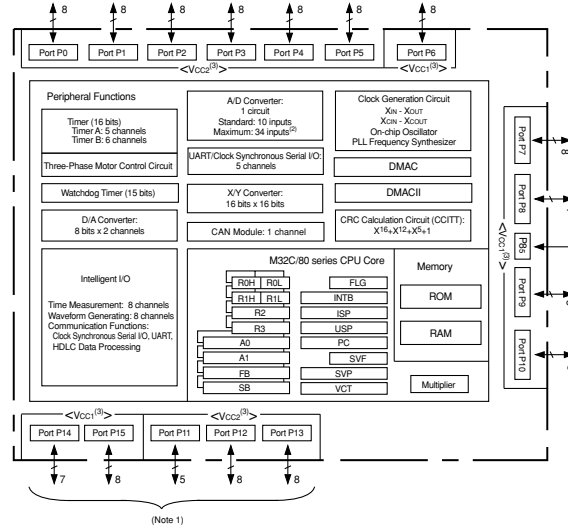
Pin No.	Function Name	I/O			Detail of Function	
		TYPE ⁽¹⁾	PULL ⁽²⁾	GPIO ⁽³⁾		
117	AXR0[3]	I/O	–	Y	McASP0 serial data 3	
119	AXR0[4]	I/O	–	Y	McASP0 serial data 4	
120	AXR0[5]/SPI1_SCS	I/O	–	Y	McASP0 serial data 5 or SPI1 slave chip select	
121	AXR0[6]/SPI1_ENA	I/O	–	Y	McASP0 serial data 6 or SPI1 enable (Ready)	
122	AXR0[7]/SPI1_CLK	I/O	–	Y	McASP0 serial data 7 or SPI1 serial clock	
126	AXR0[8]/AXR1[5]/SPI1_SOMI	I/O	–	Y	McASP0 serial data 8 or McASP1 serial data 5 or SPI1 data pin slave out master in	
127	AXR0[9]/AXR1[4]/SPI1_SIMO	I/O	–	Y	McASP0 serial data 9 or McASP1 serial data 4 or SPI1 data pin slave in master out	
130	AXR0[10]/AXR1[3]	I/O	–	Y	McASP0 serial data 10 or McASP1 serial data 3	
131	AXR0[11]/AXR1[2]	I/O	–	Y	McASP0 serial data 11 or McASP1 serial data 2	
134	AXR0[12]/AXR1[1]	I/O	–	Y	McASP0 serial data 12 or McASP1 serial data 1	
135	AXR0[13]/AXR1[0]	I/O	–	Y	McASP0 serial data 13 or McASP1 serial data 0	
137	AXR0[14]/AXR2[1]	I/O	–	Y	McASP0 serial data 14 or McASP2 serial data 1	
138	AXR0[15]/AXR2[0]	I/O	–	Y	McASP0 serial data 15 or McASP2 serial data 0	
139	ACLKR0	I/O	–	Y	McASP0 receive bit clock	
141	AFSR0	I/O	–	Y	McASP0 receive frame sync (L/R clock)	
142	ACLKX0	I/O	–	Y	McASP0 transmit bit clock	
143	AHCLKR0/AHCLKR1	I/O	–	Y	McASP0 and McASP1 receive master clock	
144	AFSX0	I/O	–	Y	McASP0 transmit frame sync (L/R clock)	
SPI0, I2C0 and I2C1 serial port pins						
105	SPI0_ENA/I2C1-SDA	I/O	–	Y	SPI0 enable (Ready) or I2C1 serial data	
107	SPI0_SCS/I2C1-SCL	I/O	–	Y	SPI0 slave chip select or I2C1 serial clock	
108	SPI0_CLK/I2C0-SCL	I/O	–	Y	SPI0 serial clock or I2C0 serial clock	
110	SPI0_SIMO	I/O	–	Y	SPI0 data pin slave in master out	
111	SPI0/SOMI/I2C0-SDA	I/O	–	Y	SPI0 data pin slave out master in or I2C0 serial data	
Clocks						
17	CLKIN	I	–	N	Alternate clock input (3.3 V LVCMOS input)	
22	OSCVSS	PWR	–	N	oscillator Vss tap point (for filter only)	
23	OSCIN	I	–	N	1.2 V oscillator input	
24	OSCOUT	O	–	N	1.2 V oscillator output (No connected.)	
25	OSCVDD	PWR	–	N	oscillator 1.2 V VDD tap point (for filter only)	
27	PLLHV	PWR	–	N	PLL 3.3 V supply input (requires external filter)	
Device reset						
14	RESET	I	–	N	Device reset pin	
Emulation/JTAG port						
19	TMS	I	IPU	N	Test mode select	
21	TRST	I	IPD	N	Test reset	
28	TDI	I	IPU	N	Test data in	
29	TDO	OZ	IPU	N	Test data out	
32	EMU[0]	I/O	IPU	N	Emulation pin 0	
34	EMU[1]	I/O	IPU	N	Emulation pin 1	
35	TCK	I	IPU	N	Test clock	
Power pins						
8	CVDD				Core supply	
16						
20						
33						
44						
53						
57						
65						
77						
85						
90						
101						
123						

Pin No.	Function Name	I/O			Detail of Function
		TYPE ⁽¹⁾	PULL ⁽²⁾	GPIO ⁽³⁾	
128	CVDD				Core supply
132					
10	DVDD				I/O supply
31					
42					
50					
60					
68					
73					
81					
92					
103					
112					
125					
136					
1		VSS			
6					
13					
15					
18					
26					
30					
36					
40					
47					
54					
62					
69					
72					
78					
82					
87					
95					
99					
106					
109					
114					
118					
124					
129					
133					
140					

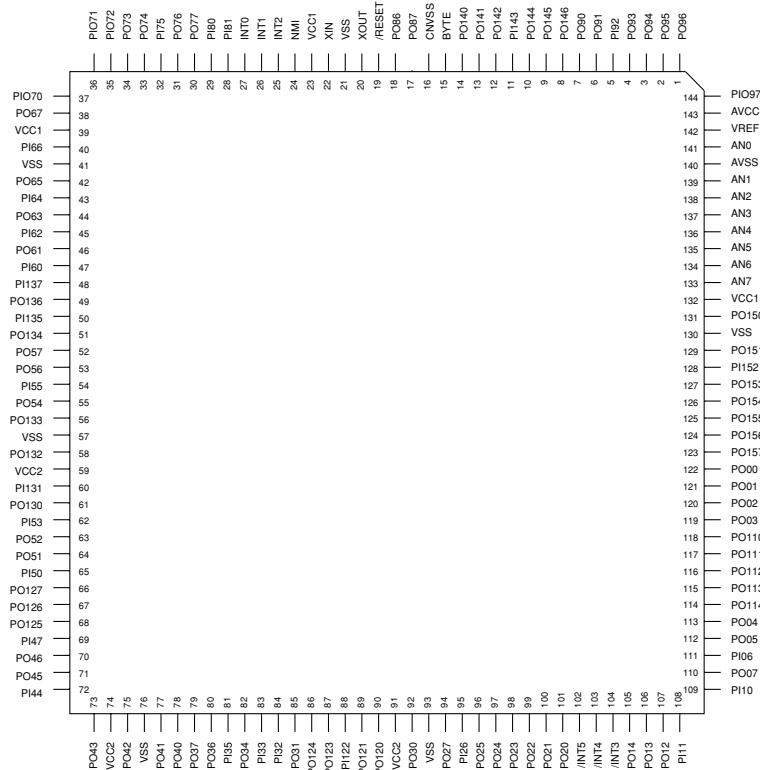
- 1) TYPE column refers to pin direction in functional mode. If a pin has more than one function with different directions, the functions are separated with a slash (/).
- 2) PULL column:
 IPD = Internal Pull-down resistor
 IPU = Internal Pull-up resistor
- 3) If the GPIO column is 'Y', then in GPIO mode, the pin is configurable as an I/O unless otherwise marked.

IC211: M3087BFKBP (DSP P.C.B.)
Microprocessor

YSP-600/HTY-760



NOTES:
1. Ports P11 to P15 are provided in the 144-pin package only.
2. Included in the 144-pin package only.
3. The supply voltage of M32C-84T (High-reliability version) must be VCC1=VCC2.



No.	Function name	Port name	Interrupt terminal	Timer terminal	UART terminal	Analog terminal	I/O	Detail of function		Intelligent I/O terminal
1	P96	P96			TxD4/ SDA4/ SRxD4	ANEX1	I/O	HDMI-RX/TX. VIDEO-DEC/ENC: I2C (400 kHz) data I/O		
2	P95	P95					O			
3	P94	P94		TB4IN			O			
4	P93	P93	INT8	TB3IN			TMR-IN	HDMI: 1080p frequency detection (24Hz, 60Hz)		
5	P92	P92	INT7	TB2IN			Tx			
6	P91	P91	INT6	TB1IN			Rx			
7	P90	P90		TB0IN			TMR-IN			
8	P146	P146					INT-IN	HDMI: MUTE input (HDIMT)		
9	P145	P145					INT-IN			
10	P144	P144					INT-IN	HDMI CEC: Interrupt (/INT-CEC)		
11	P143	P143					I			
12	P142	P142					O			
13	P141	P141								INPC15/ OUTC15
14	P140	P140					I	HDMI CEC: CEC microprocessor reset request from microprocessor (CEC-D)		OUTC14
15	BYTE						–	When in single chip mode: VSS (GND)		
16	CNVSS						–	Processor mode selection: Lo: single chip mode Hi: To boot mode with Flash included To boot mode with P50=H, P55=L, CNV _{ss} =H when resetting hardware	*Pull-down required	
17	XCIN	P87					O	HDMI: Tx IC for reset input (/RES_Tx)		
18	XCOU	P86					O	HDMI: Rx IC for reset input (/RES_Rx)		
19	/RESET (I)						–	RESET	[L: RESET]	
20	XOUT						–	20MHz OUT		
21	VSS						–	GND		
22	XIN						–	20MHz IN		
23	VCC1						–	Power supply +3.3V		
24	NMI	P85	NMI				I	Connect to Vcc via resistor		
25	INT2 (I)	P84	INT2				INT-IN	INT TI/INTTI		
26	INT1 (I)	P83	INT1				INT-IN	INT DIR		
27	INT0 (I)	P82	INT0				INT-IN	RS232C RX interrupt for communication	Connect to 40 pin	
28	P81	P81		TA4IN/U/ RTP23						
29	P80	P80		TA4OUT/ U			I			
30	P77	P77		TA3IN/ RTP22			O			
31	P76	P76		TA3OUT	TxD5		TMR- OUT	For FL filament (78.4KHz/PWM)		INPC13/ OUTC13/ ISTxD0
32	P75	P75		TA2IN/W/ RTP21			O			

No.	Function name	Port name	Interrupt terminal	Timer terminal	UART terminal	Analog terminal	I/O	Detail of function		Intelligent I/O terminal
33	P74	P74		TA2OUT/ W/RTP20			O	DIR CS		INPC11/ OUTC11/ ISCLK1
34	P73	P73		TA1IN/V	CTS2/ RTS2/ SS2		O	DIR RESET		INPC10/ OUTC10/ ISTxD1
35	P72	P72		TA1OUT/ V			I/O			
36	P71	P71		TB5IN/ TA0IN/ RTP03	SCL2		I/O	I2C (100 kHz) HDMI CEC	(Pull-up required N-OD)	
*37	P70	P70		TA0OUT/ RTP02	SDA2		I/O	I2C (100 kHz) HDMI CEC	(Pull-up required N-OD)	
38	P67	P67			TxD1/ SDA1/ SRxD1		Tx	Usually RS-232C asynchronous communication data output Data transmission terminal for AF220		
39	VCC1						-	Power supply +3.3V		
40	P66	P66			RxD1/ SCL1/ STxD1		Rx	Usually RS-232C asynchronous communication data input Data reception terminal for AF220		
41	VSS						-	GND		
42	P65	P65			CLK1		S-CLK	Usually RS-232C asynchronous communication RTS output Clock input for AF220	*Pull-down required	
43	P64	P64			CTS1/ RTS1/ SS1		IO	Usually RS-232C asynchronous communication CTS input Busy output for AF220		OUTC21/ ISCLK2
44	P63	P63			TxD0/ SDA0/ SRxD0/ IrDAOUT		S-OUT	Serial data output to DIR/TI (previous step)/ D4SPJ		
45	P62	P62			RxD0/ SCL0/ STxD0/ IrDAIN		S-IN	Serial data reception to DIR/TI (previous step)/ D4SPJ		
46	P61	P61		RTP01	CLK0		S-CLK	Serial clock output to DIR/TI (previous step)/D4SPJ		
47	P60	P60		RTP00	CTS0/ RTS0/ SS0		I	D4SPJ/IRQ0-1		
48	P137	P137					I			
49	P136	P136					O			
50	P135	P135					I			
51	P134	P134					O			
52	P57	P57					O	D4SPJ/CS-1 chip select		
53	P56	P56					O	D4SPJ/IC		
54	P55	P55					I	HDMI: HDMI interrupt (/INTH_RT) *Connect to GND via resistor (for writing Flash)	*Pull-down required (47 k-ohms)	
55	P54	P54					O	D4SPJ/DISABLE		
56	P133	P133					O			
57	VSS						-	GND		
58	P132	P132					O	TI-1 CS		OUTC26
59	VCC2						-	Power supply +3.3V		

No.	Function name	Port name	Interrupt terminal	Timer terminal	UART terminal	Analog terminal	I/O	Detail of function		Intelligent I/O terminal
60	P131	P131					I	TI-1 Busy		OUTC25
61	P130	P130					O	TI-1 Mute		OUTC24
62	P53	P53					I	TI-1 RDY		
63	P52	P52					O	TI-1 RESET		
64	P51	P51					O			
65	P50	P50					I	* Connect to Vcc via resistor	*Pull-down required	
66	P127	P127					O			
67	P126	P126					O	DAC-2 Mute	Output L0	
68	P125	P125					O	D-3 Mute		
69	P47	P47					I	D-3 Warning signal IN	(Pull-up required)	
70	P46	P46					O			
71	P45	P45					O			
72	P44	P44					I	MIC insertion detection	Output L0	
73	P43	P43					O	SWFR mute		
74	VCC2						-	Power supply +3.3V	[L: MUTE]	
75	P42	P42					O	Power relay control		
76	VSS						-	GND		
77	P41	P41					O	HDMI: HPD1ENB (Vx61: HPD0ENB)		
78	P40	P40					O	HDMI: HPD2ENB (Vx61: HPD1ENB)		
79	P37	P37					O			
80	P36	P36					O			
81	P35	P35					I			
82	P34	P34					O			
83	P33	P33					I			
84	P32	P32					I			
85	P31	P31					O			
86	P124	P124					O			
87	P123	P123			CTS6/ RTS6		O			
88	P122	P122			RxD6		S-IN			
89	P121	P121			CLK6		S-CLK	Clock output for OSD, FL, RDS IC		
90	P120	P120			TxD6		S-OUT	Data output for OSD, FL, RDS IC		
91	VCC2						-	Power supply +3.3V		
92	P30	P30					O	OSD RESET	[L: RESET]	
93	VSS						-	GND		
94	P27	P27				AN27	O	OSD Enable		
95	P26	P26				AN26	I	OSD BUSY In		
96	P25	P25				AN25	O	HDMI: DDC select 0 (DDC_SEL0)		
97	P24	P24				AN24	O	HDMI: DDC select 1 (DDC_SEL1)		
98	P23	P23				AN23	O	(Clock output for FL DRIVER IC, spare)	Output L0	
99	P22	P22				AN22	O	(Data output for FL DRIVER IC, spare)	Output L0	
100	P21	P21				AN21	O	FL Driver CE OUT		
101	P20	P20				AN20	O	FL Driver RESET (light off) OUT		
102	/INT5	P17	INT5				INT-IN	Power down DETECT INT IN	[L: POWER DOWN]	
103	/INT4	P16	INT4				INT-IN	Standby SW IN	[H: ON]	
104	/INT3	P15	INT3				INT-IN	Remote control IN		
105	P14	P14					O	HDMI: Related power supply control (PWR_FNB)	[H: ON]	
106	P13	P13					O	HDMI: CEC reset output (/RST_S)		
107	P12	P12					O	HDMI: DDC for enable output (DDC_ENB)		
108	P11	P11					I			
109	P10	P10					I			
110	P07	P07				AN07		(Time measurement port for software verification)	Output L0	
111	P06	P06				AN06	I	DATA IN from E2PROM		
112	P05	P05				AN05	O	CLK OUT to E2PROM		
113	P04	P04				AN04	O	DATA OUT to E2PROM		
114	P114	P114					I	(PS protection for software verification OFF 232C forced 1Ltd)	(Pull-down required)	

No.	Function name	Port name	Interrupt terminal	Timer terminal	UART terminal	Analog terminal	I/O	Detail of function		Intelligent I/O terminal
115	P113	P113					O	CS OUT to E2PROM	(Pull-up required) [L: DATA transmission]	INPC13/ OUTC13
116	P112	P112					I			
117	P111	P111					O			
118	P110	P110					O			
119	P03	P03				AN03	O	Analog input selection (IN_SEL_1: TC4052BF)		
120	P02	P02				AN02	O	Analog input selection (IN_SEL_0: TC4052BF)		
121	P01	P01					O			
122	P00	P00					O			
123	P157	P157					O			
124	P156	P156					O			
125	P155	P155					O			
126	P154	P154					O			
127	P153	P153			CTS5/ RTS5	AN153			Output L0	
128	P152	P152					Rx			
129	P151	P151					O			
130	VSS				TxD5		-	GND		
131	P150	P150				AN150	Tx			
132	VCC1						-	Power supply +3.3V		
133	AN7	P107	KI3	RTP33		AN7	A-D IN	Destination discrimination by AD value	[0 to VREF]	
134	AN6	P106	KI2	RTP32		AN6	A-D IN	Power voltage detection (PS Protect) IN	[0 to VREF]	
135	AN5	P105	KI1	RTP31		AN5	A-D IN	3.3V power activation detection (PS3 Protect) IN +3.3V_DET	[0 to VREF]	
136	AN4	P104	KI0	RTP30		AN4	A-D IN	Power voltage detection 2 (PS2 Protect) IN	[0 to VREF]	
137	AN3	P103		RTP13		AN3				
138	AN2	P102		RTP12		AN2	A-D IN	KEY0 AD value taken in	[0 to VREF]	
139	AN1	P101		RTP11		AN1	A-D IN	KEY1 AD value taken in	[0 to VREF]	
140	AVSS						-	Connect to Vss (GND)		
141	VREF	P100		RTP10		AN0	A-D IN	Model select IN	Pull-down [0 to VREF]	
142	VREF						-	A-D, D-A reference voltage input		
143	AVCC						-	Connect to VCC terminal (+3.3V)		
144	P97	P97					I/O	HDMI-RX/TX, VIDEO-DEC/ENC: I2C (400 kHz) clock I/O		

Destination for A/D port

Pull-up resistance 10 k-ohms

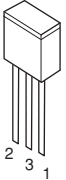
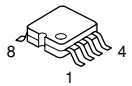
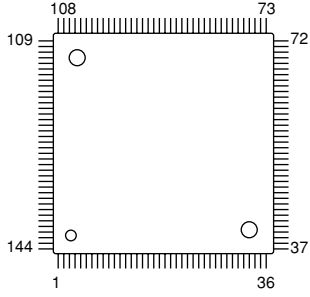
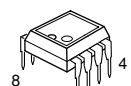
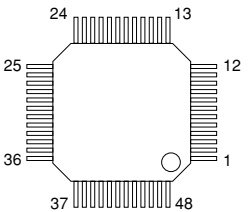
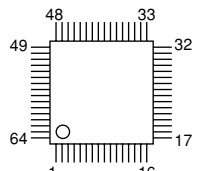
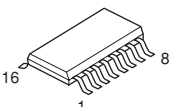
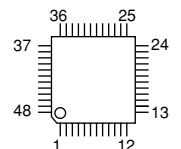
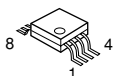
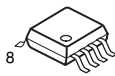
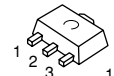
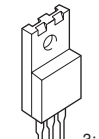
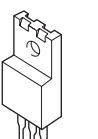
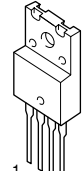
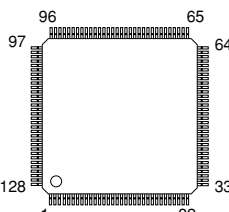
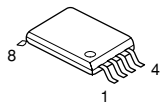
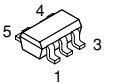
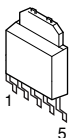
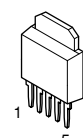
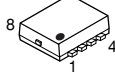
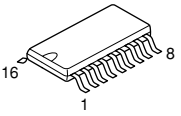
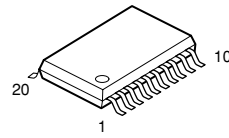
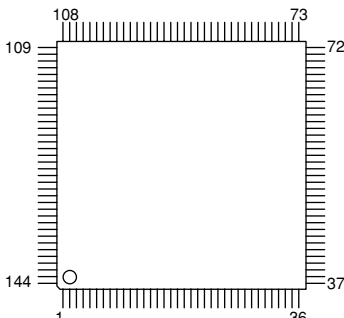
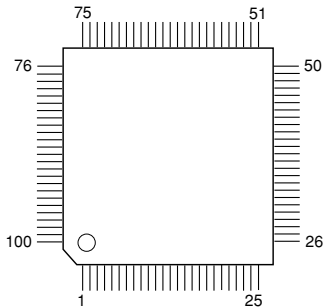
R71 (INPUT P.C.B.) [ohm]	39 k	91 k	24 k	15 k	-
DEST [V]	2.475 - 2.805	2.805 - 3.135	2.145 - 2.475	1.185 - 2.145	3.135 - 3.3
A/D value (3.3V=255)	191 - 217	217 - 242	166 - 191	92 - 166	242 - 255
Destination	U, C	T, A, B, G, E, F, L (YSP-600)	K, V	B, G, E, F (HTY-760)	J

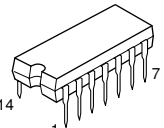
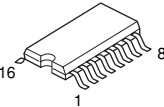
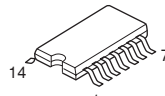
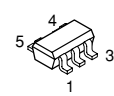
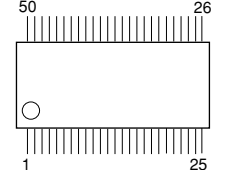
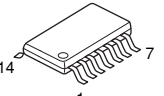
Key detection for A/D port

Ohm	0	+ 1.2k
V	0 - 0.165	0.165 - 0.495
A/D value (3.3V=255)	0 - 13	13 - 38
KEY0 (138 pin)	VOLUME+	INPUT
KEY1 (139 pin)	VOLUME-	-

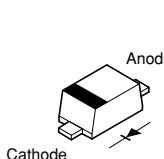
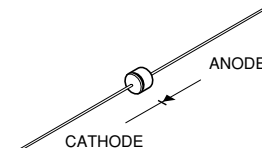
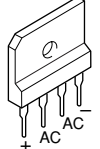
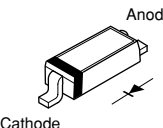
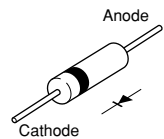
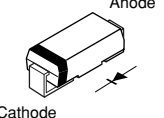
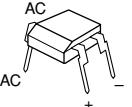
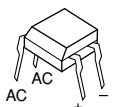
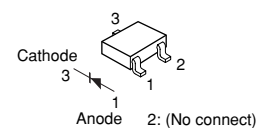
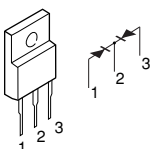
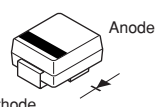
PIN CONNECTION DIAGRAMS

ICs


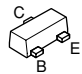
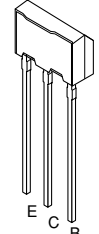
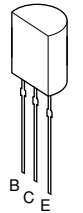
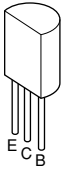
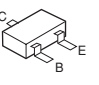
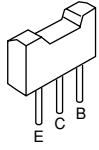

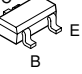
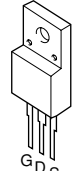
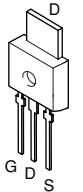
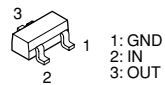
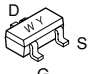
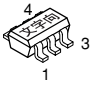
AN77L04  1: IN 2: OUT 3: GND	BR25L320F-W EEPROM 	D70YE101BRFP266 M3087BFKBP 	FA5511N-D1-TE1 		
LC89057W-VF4AD-E 	M66003-0131FP-R 	MAX3232CDWR 	MB90050PF-G-118-E1 MB90050PF-G-119-E1 		
NJM2068MD-TE2 	NJM3404AM-TE1 	NJM431U  1: REFERENCE 2: ANODE 3: CATHODE	NJM78M05FA  1: IN 2: GND 3: OUT	NJM78M12FA  3: IN 2: COM 1: OUT	NJM2388F63  1. IN 2. Vout 3. GND 4. ON/OFF CONTROL
MN103SFD7GYAB 	M24C02-WDW6TP 	NJU7754F05 TC7SH08FU  1. CONTROL 2. GND 3. NC 4. Vout 5. Vin	PQ033EZ01ZP 	PQ1CZ41H2Z 	TB7102F 
SN74CBT3257CPWR 	SN74LV244APWR TC74LCX245FT WM8728 	SiI9135CTU 	SiI9134CTU YDA141-SZ 		

TC4013BP 	TC4052BF 	TC74HCT08AF TC74HCU04AFEL 	TC7SH08FU 	W9816G6CH-7 	WM8738 
---	---	---	--	--	---

Diodes

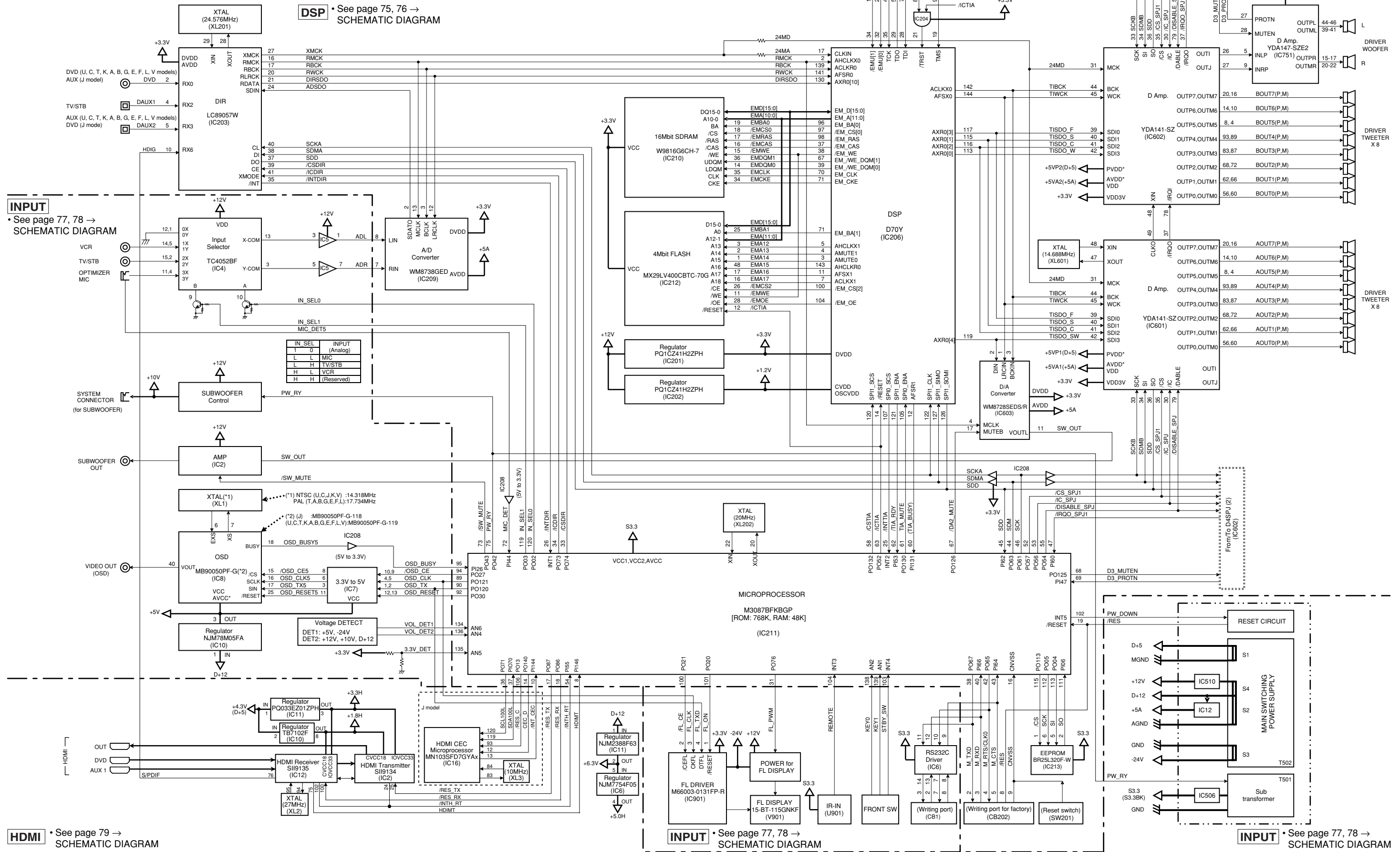
1SS355 1SS380 MA8036 3.6V MA8051-M 5.1V MA8062-M 6.2V MA8068-M 6.8V MA8091-M 9.1V	MA8100-H 10.3V MA8100-M 10.0V MA8110-M 11.0V MA8220-L 21.3V MA8240-H 25.0V UDZ5.1B RB501V-40	1N4002S MTZJ27D 	AK09 D1NL20U-5083 	
D5SB20 5A 200V D5SBA60 	KDR357-RTK/P 	P6KE200ARL P6KE400ARL 	RB051L-40 	S1NB20 1A 200V 
S1NB60 1.0A 600V 	SB01-05Q 	SF10SC6-7100 SF30SC3L-7100 	STTH110A 	

Transistors

2SA933ASTP 	2SA1037K 	2SA2093 	2SB544 	2SC1815 Y 	2SC2412K 	2SC4488 	2SD400 
2SD1938F 	2SK3679-01 MR ST 2SK3683-01MR 	2SK3850 	DTA114EKA DTC114EKA DTC123JKA DTC144EKA 	RSR025P03TL 	μPA672T-T1-A  1. Source 1 (S1) 2. Gate 1 (G1) 3. Drain 2 (D2) 4. Source 2 (S2) 5. Gate 2 (G2) 6. Drain 1 (D1)		

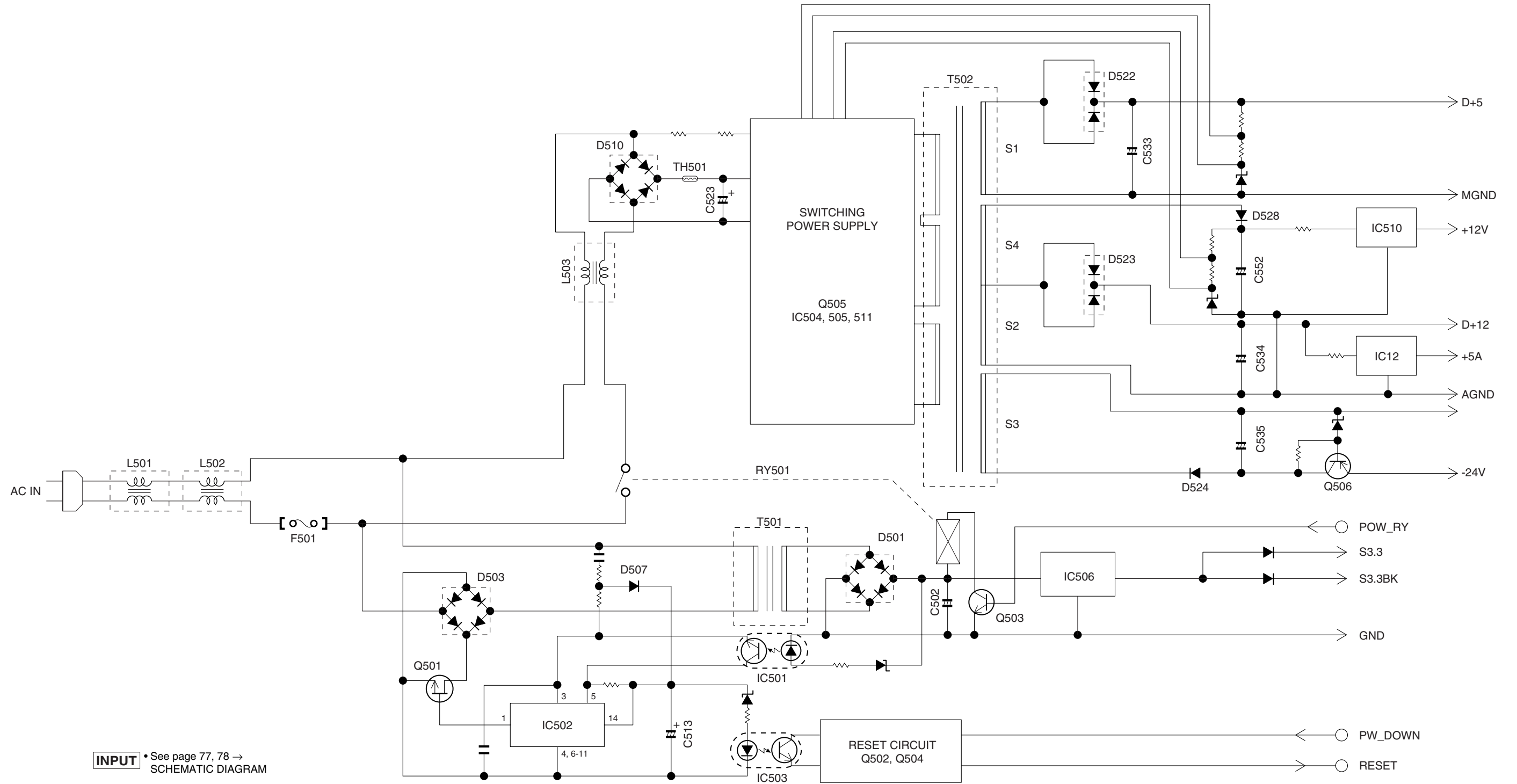
BLOCK DIAGRAMS

AUDIO/VIDEO SECTION BLOCK DIAGRAM



POWER SUPPLY SECTION BLOCK DIAGRAM

1
2
3
4
5
6
7

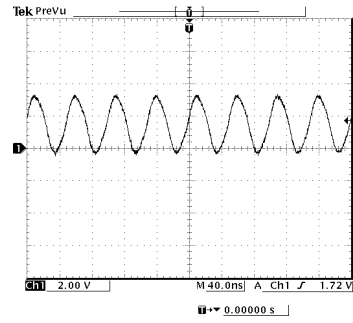


INPUT • See page 77, 78 → SCHEMATIC DIAGRAM

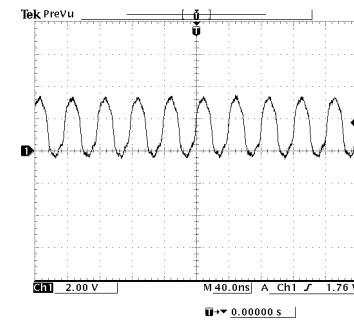
PRINTED CIRCUIT BOARDS

DSP P.C.B. (Side A)

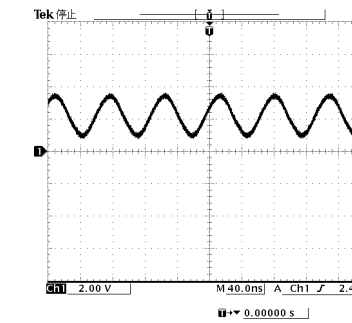
POINT (B-3) XL202 (Pin 20 of IC211)



POINT (B-2) XL201 (Pin 28 of IC203)



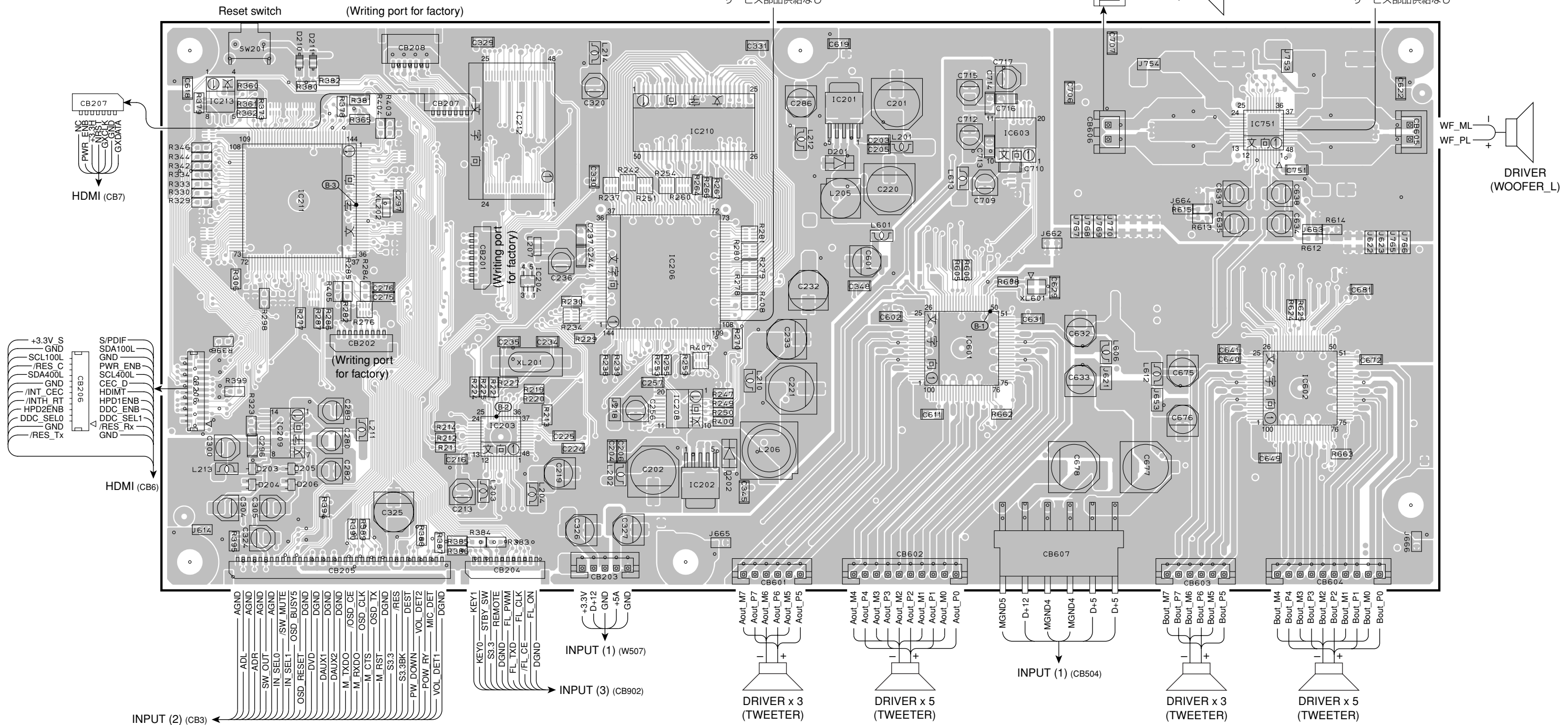
POINT (B-1) XL601 (Pin 48 of IC601)



No replacement part available.
サービス部品供給なし

• **Semiconductor Location**

Ref no.	Location	Ref no.	Location	Ref no.	Location	Ref no.	Location
D201	F4	D210	C3	IC206	E4	IC213	B3
D202	E5	D211	C3	IC208	E5	IC601	G5
D203	B5	IC201	F3	IC209	B5	IC602	I5
D204	B6	IC202	E6	IC210	E3	IC603	G3
D205	B5	IC203	D5	IC211	C4	IC751	I3
D206	B6	IC204	D4	IC212	D3		

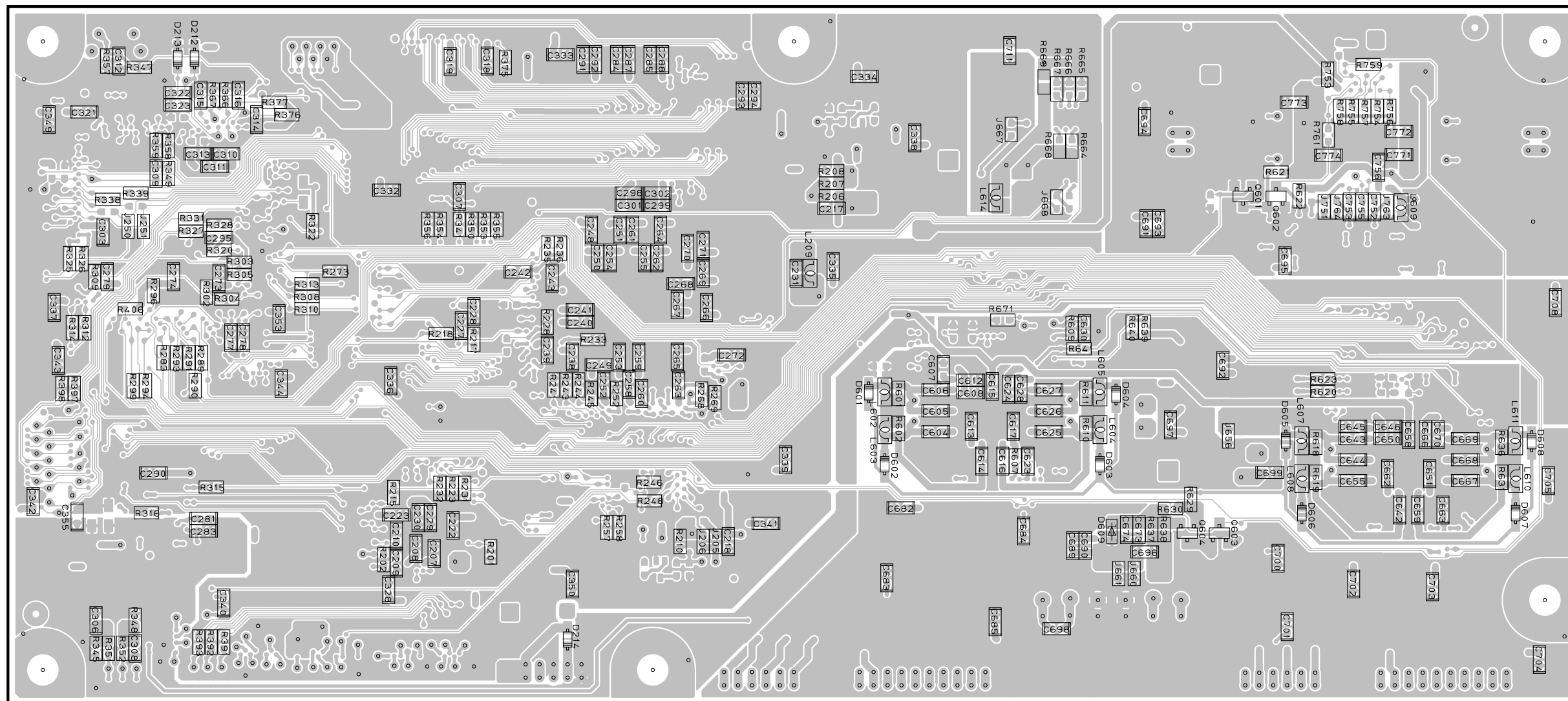


No replacement part available.
サービス部品供給なし

• Semiconductor Location

Ref no.	Location	Ref no.	Location	Ref no.	Location	Ref no.	Location
D212	C3	D603	G5	D608	I5	Q604	H5
D213	B3	D604	G5	D609	G5		
D214	D6	D605	H5	Q601	H4		
D601	F5	D606	H5	Q602	H4		
D602	F5	D607	I5	Q603	H5		

DSP P.C.B. (Side B)



Notes)

Safety measures

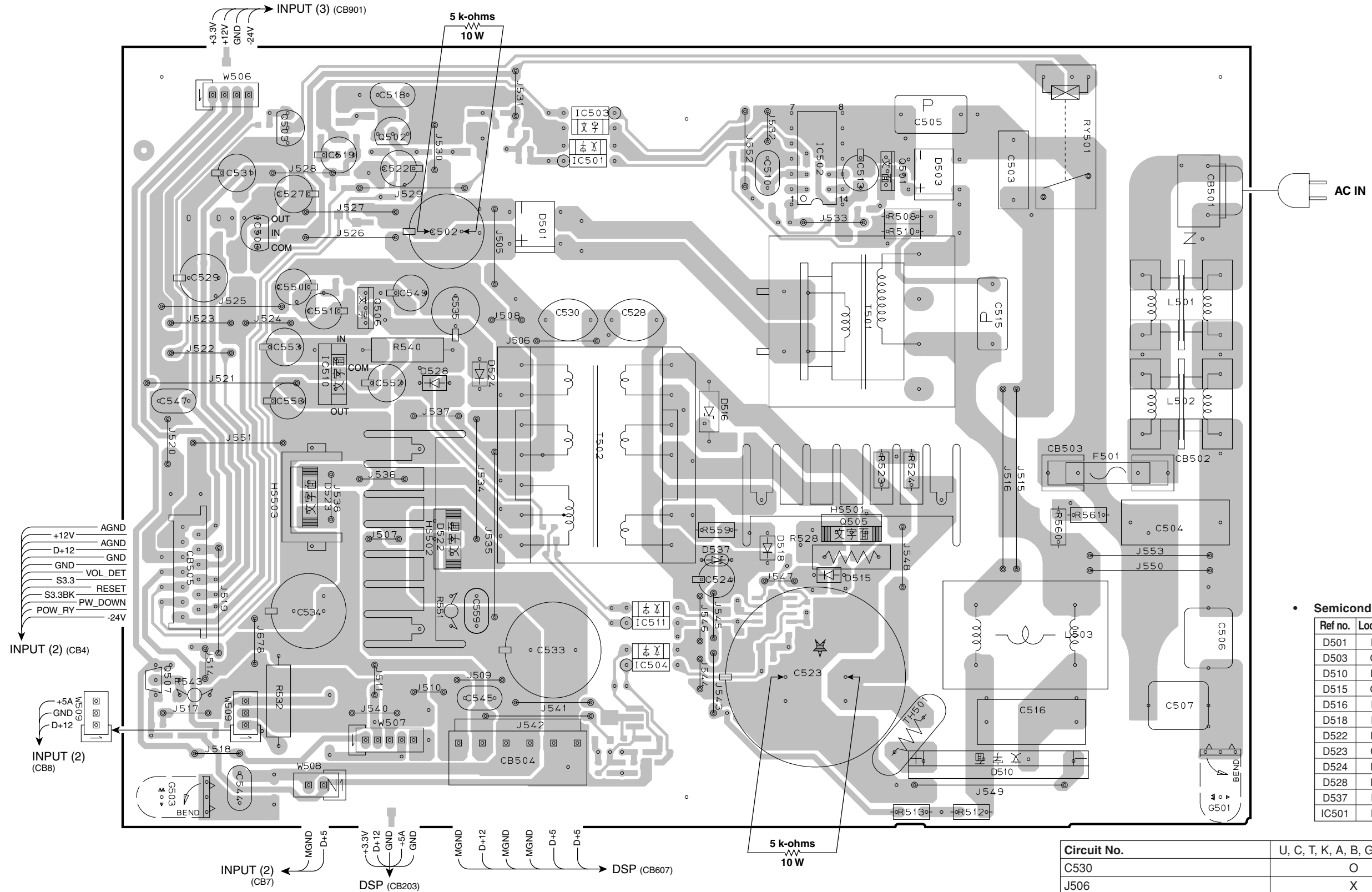
- Some internal parts in this product contain high voltages and are dangerous. Be sure to take safety measures during servicing, such as wearing insulating gloves.
- Note that positions indicated below are dangerous even after the power is turned off because an electric charge remains and a high voltage continues to exist there. Before starting any repair work, perform discharge by connecting a discharge resistor (5k-ohms/10W) between terminals at following positions. The time required for discharging is about 30 seconds.
 - C502 on INPUT (1) P.C.B.
 - C523 on INPUT (1) P.C.B.

注意)

安全対策

- この製品の内部には高電圧部分があり危険です。修理の際は、絶縁性の手袋を使用するなどの安全対策を行ってください。
- 下記箇所には電源をOFFにした後も電荷が残り、高電圧が維持されており危険です。修理作業前に放電用抵抗(5kΩ/10W)を下記箇所の端子間に接続して放電してください。放電所用時間は約30秒間です。
 - INPUT(1)P.C.B.のC502
 - INPUT(1)P.C.B.のC523

INPUT (1) P.C.B. (Side A)



Semiconductor Location

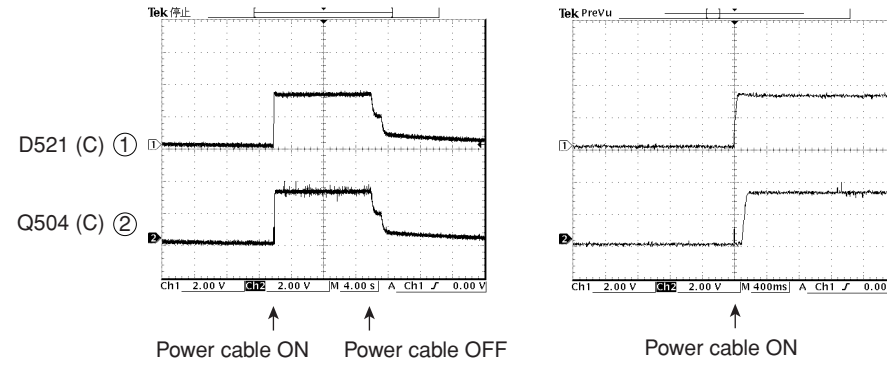
Ref no.	Location	Ref no.	Location
D501	E3	IC502	F3
D503	G3	IC503	E3
D510	H6	IC504	E6
D515	G5	IC506	C3
D516	F4	IC510	D4
D518	F5	IC511	E5
D522	D5	Q501	G3
D523	C5	Q502	D3
D524	D4	Q503	C3
D528	D4	Q505	G5
D537	F5	Q506	D4
IC501	E3	Q507	C6

Circuit No.	U, C, T, K, A, B, G, E, L, F, V	J
C530	O	X
J506	X	O

X : NOT USED
O : USED/APPLICABLE

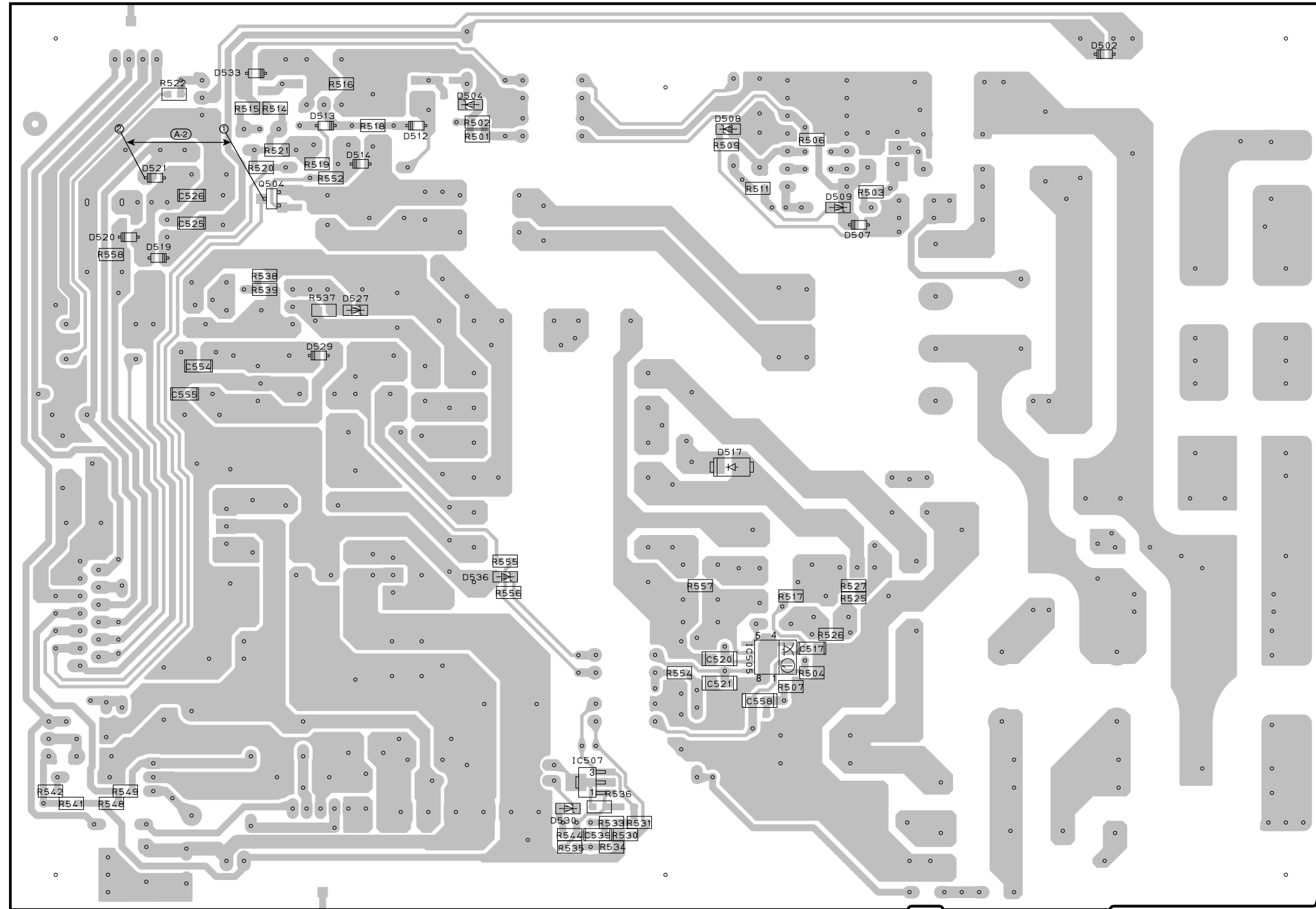
INPUT (1) P.C.B. (Side B)

POINT (A-2) ①/ D521, ②/ Q504



• Semiconductor Location

Ref no.	Location	Ref no.	Location	Ref no.	Location	Ref no.	Location
D502	H2	D512	D3	D520	C3	D533	D2
D504	E3	D513	D3	D521	C3	D536	E5
D507	G3	D514	D3	D527	D4	IC505	F5
D508	F3	D517	F4	D529	D4	IC507	E6
D509	G3	D519	C3	D530	E6	Q504	D3



Note)

Caution for P.C.B. replacement

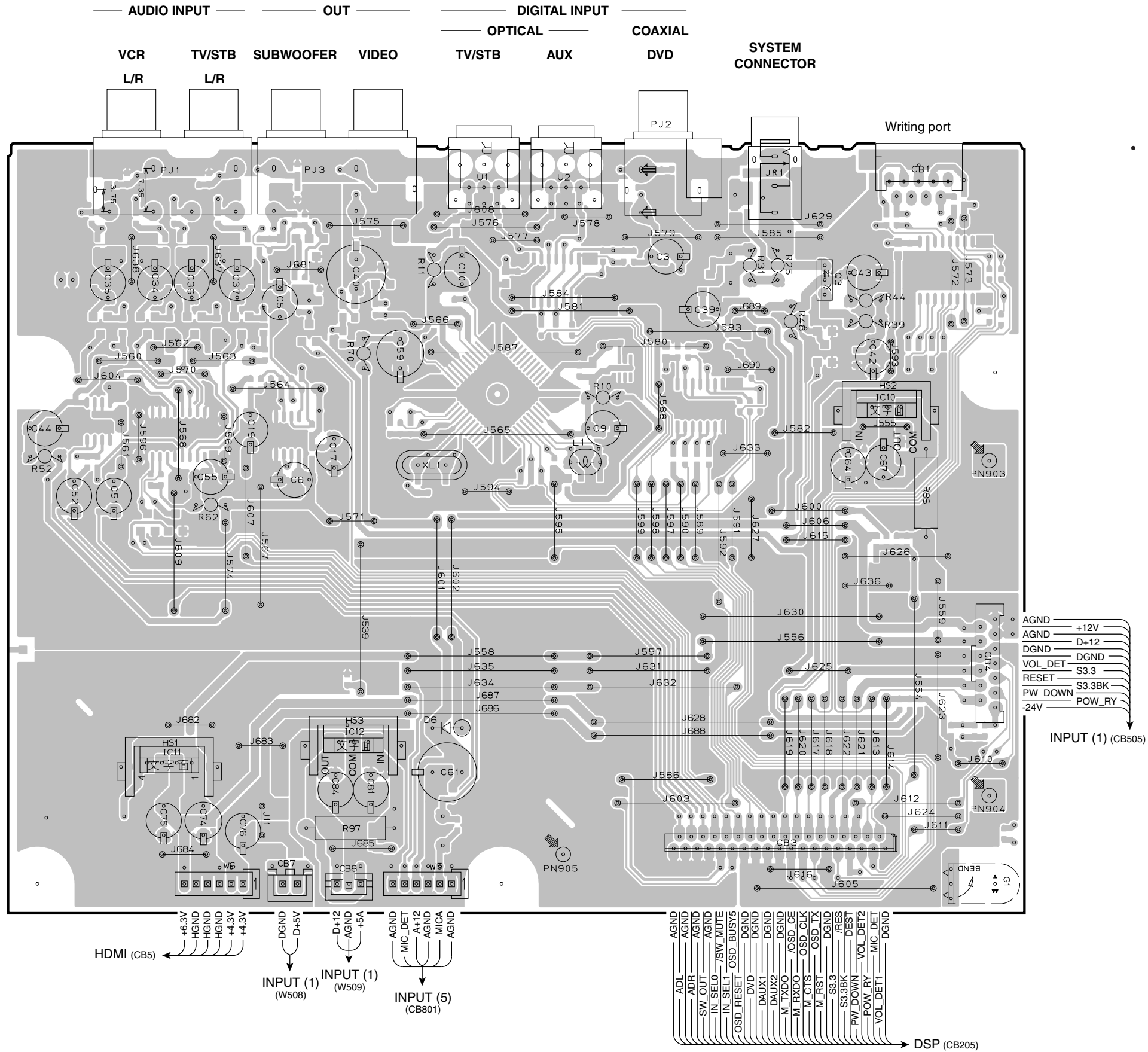
When replacing INPUT (1) and INPUT (2) P.C.B.s, be sure to replace them at the same time. Installing either P.C.B. of different version from the other may cause failure of operation.

注意)

P.C.B.交換時の注意

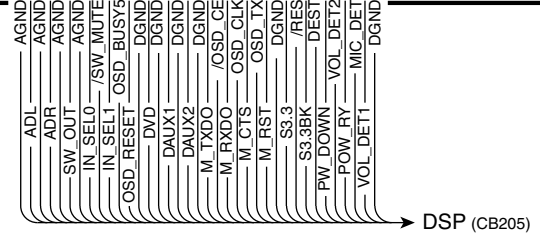
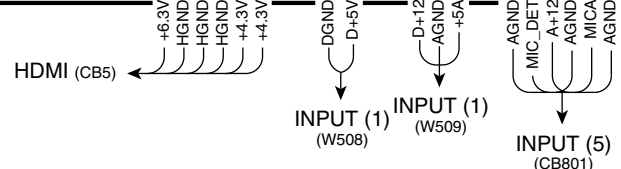
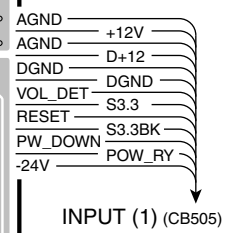
INPUT(1)およびINPUT(2)P.C.B.を交換する場合、必ず同時に行ってください。どちらか片方にバージョンの異なるP.C.B.を取り付けると、動作しないことがあります。

INPUT (2) P.C.B. (Side A)



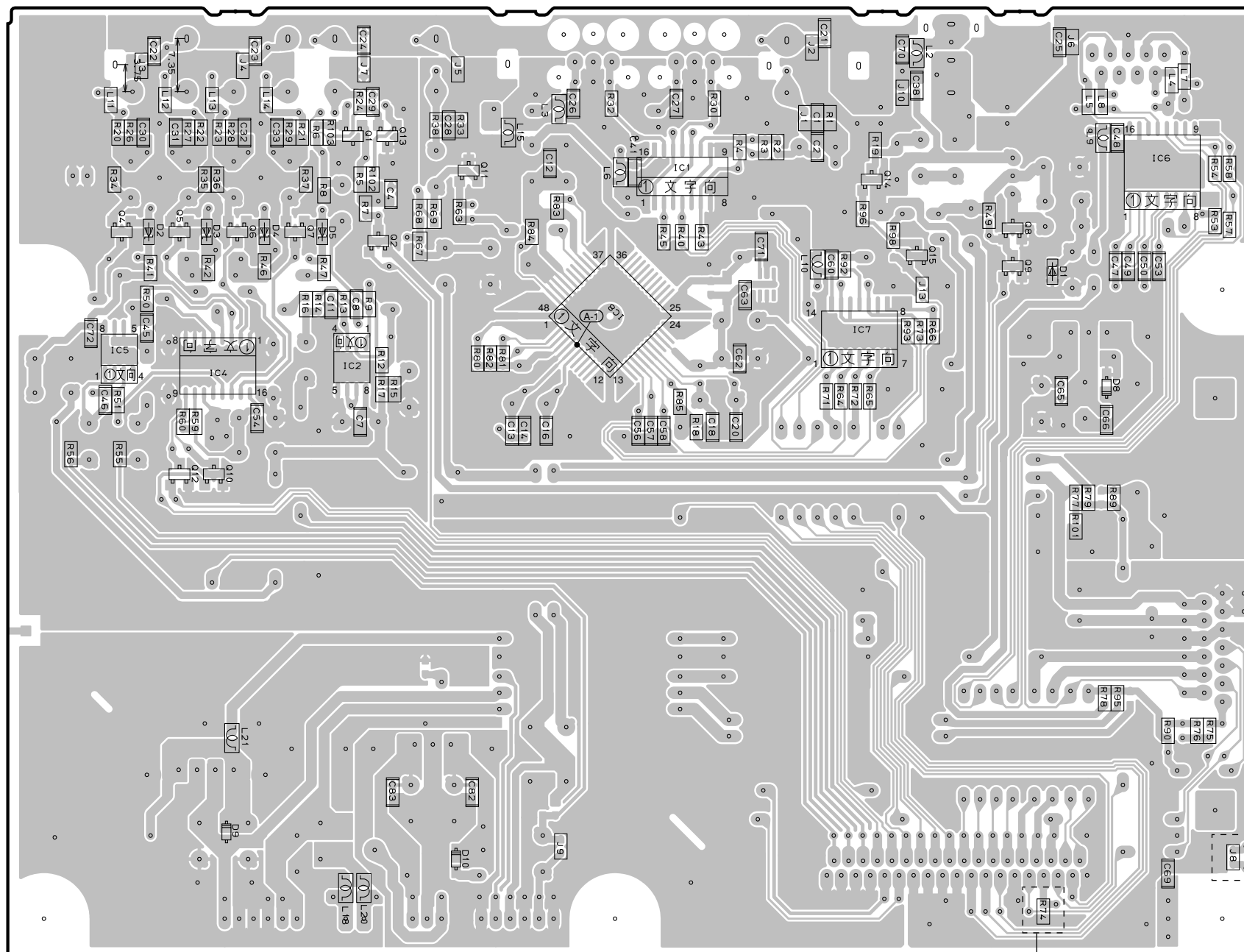
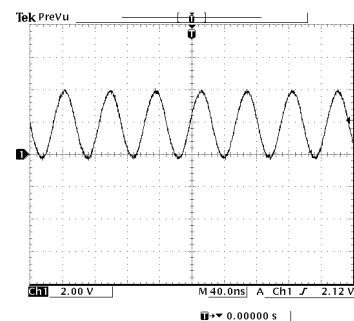
Semiconductor Location

Ref no.	Location
D6	E5
IC10	H4
Q3	G3
IC11	D5
IC12	E5



INPUT (2) P.C.B. (Side B)

POINT (A-1) XL1 (Pin 6 of IC8)



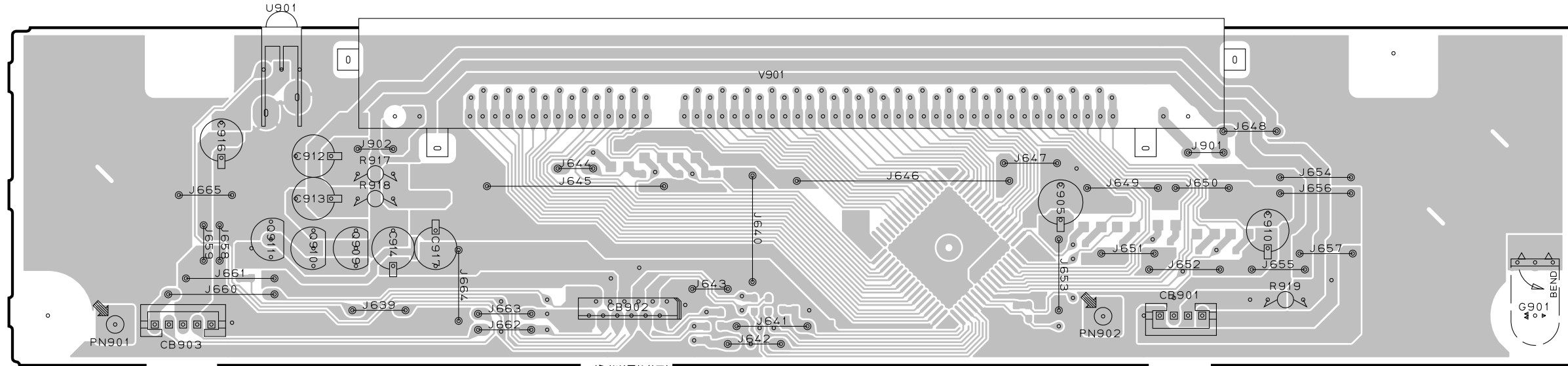
Semiconductor Location

Ref no.	Location	Ref no.	Location
D1	G3	Q1	D3
D2	C3	Q2	D3
D3	D3	Q4	C3
D4	D3	Q5	D3
D5	D3	Q6	D3
D8	H4	Q7	D3
D9	D6	Q8	G3
D10	E6	Q9	G3
IC1	F3	Q10	D4
IC2	D4	Q11	E3
IC4	D4	Q12	D4
IC5	C4	Q13	D3
IC6	H3	Q14	G3
IC7	G4	Q15	G3
IC8	E3		

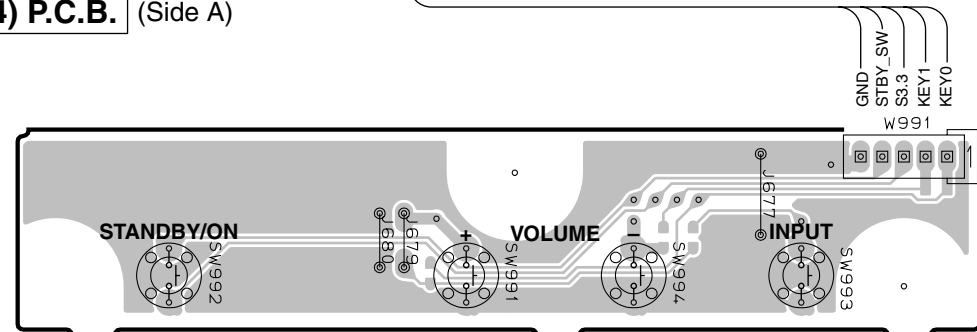
T, K, A, B, G, E, F, L models

U, C, T, K, A, B, G, E, F, L, V models

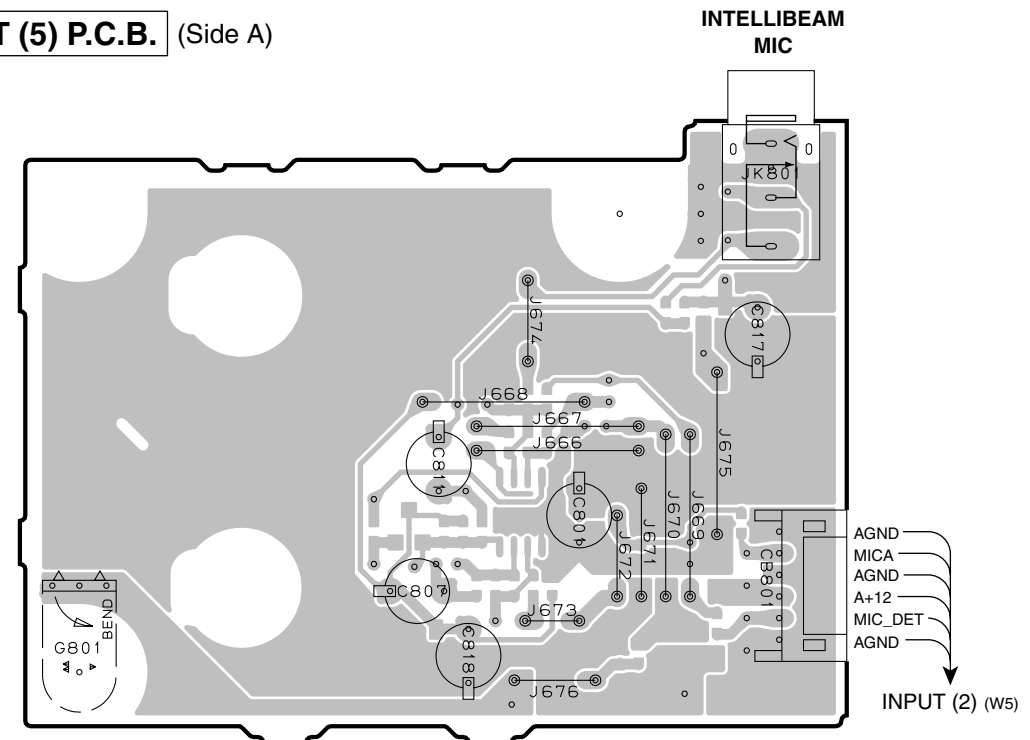
INPUT (3) P.C.B. (Side A)



INPUT (4) P.C.B. (Side A)



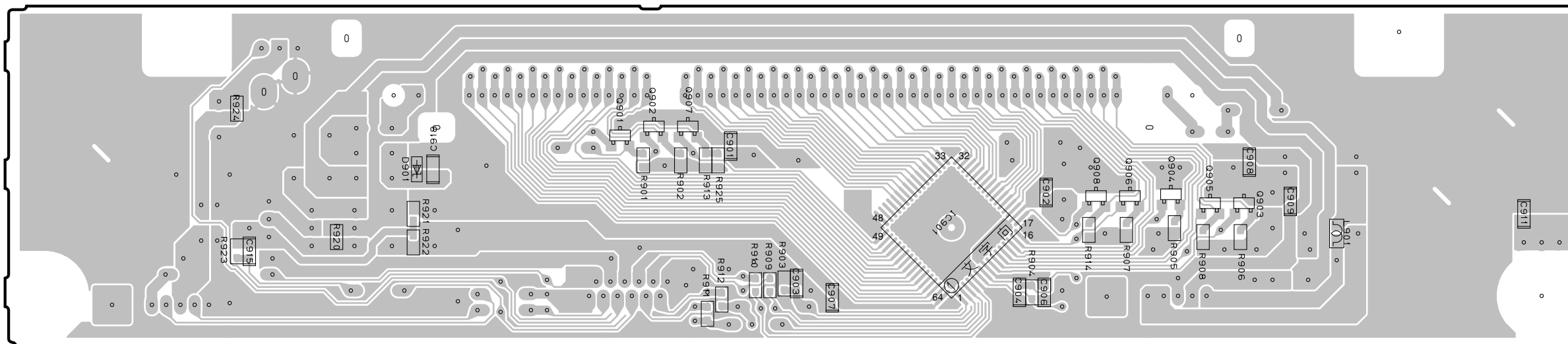
INPUT (5) P.C.B. (Side A)



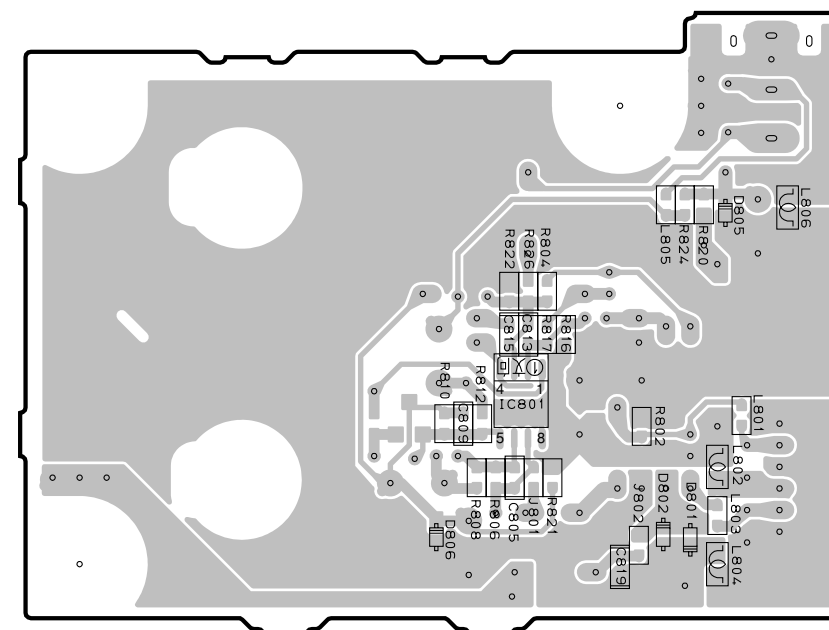
• **Semiconductor Location**

Ref no.	Location
Q909	C3
Q910	C3
Q911	C3

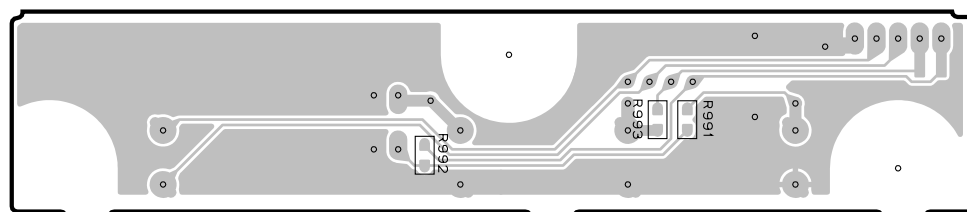
INPUT (3) P.C.B. (Side B)



INPUT (5) P.C.B. (Side B)



INPUT (4) P.C.B. (Side B)

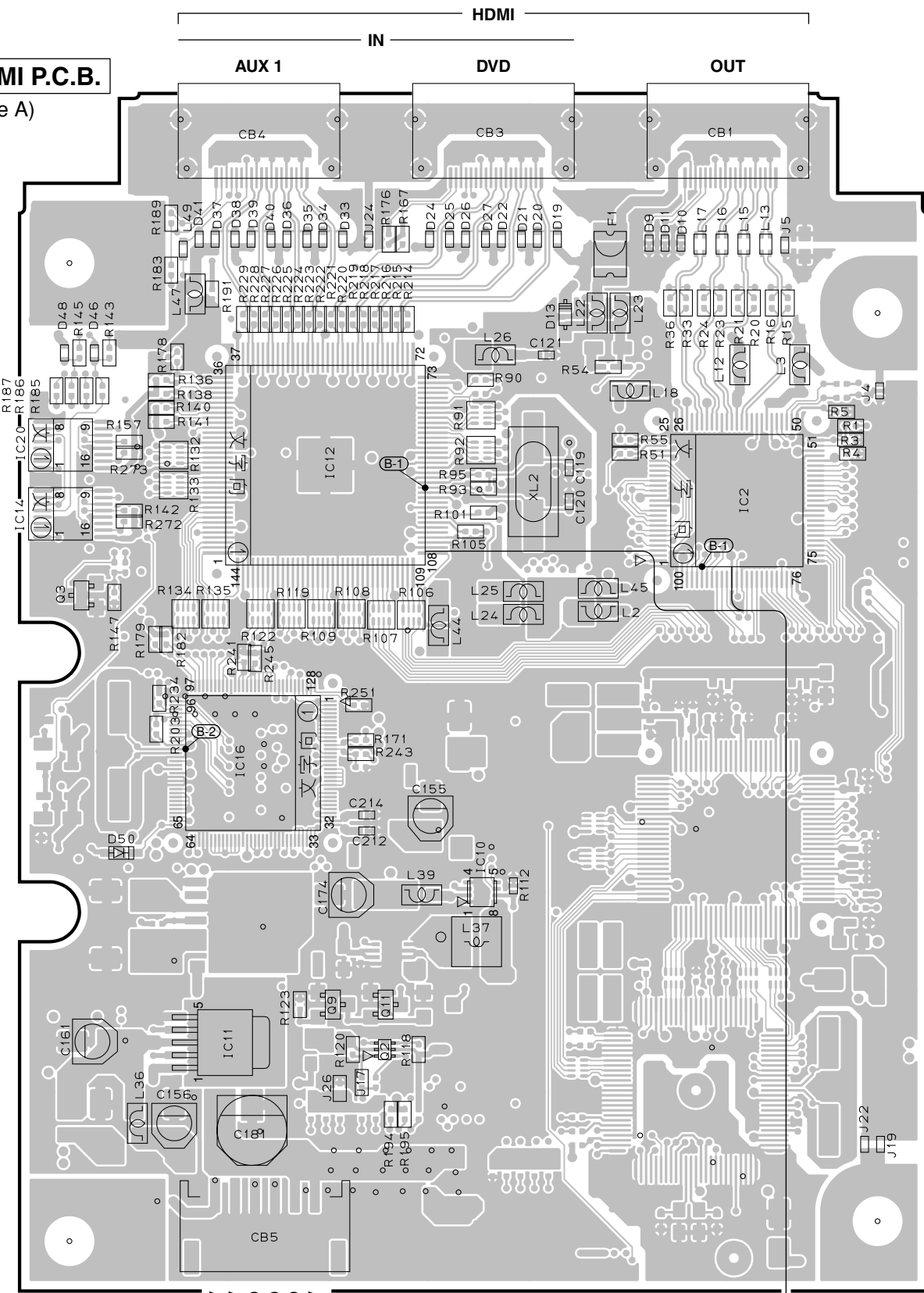


• **Semiconductor Location**

Ref no.	Location	Ref no.	Location	Ref no.	Location	Ref no.	Location
D801	I7	D901	D3	Q902	E3	Q906	G3
D802	I7	IC801	H6	Q903	H3	Q907	E3
D805	I6	IC901	F3	Q904	H3	Q908	G3
D806	H7	Q901	E3	Q905	H3		

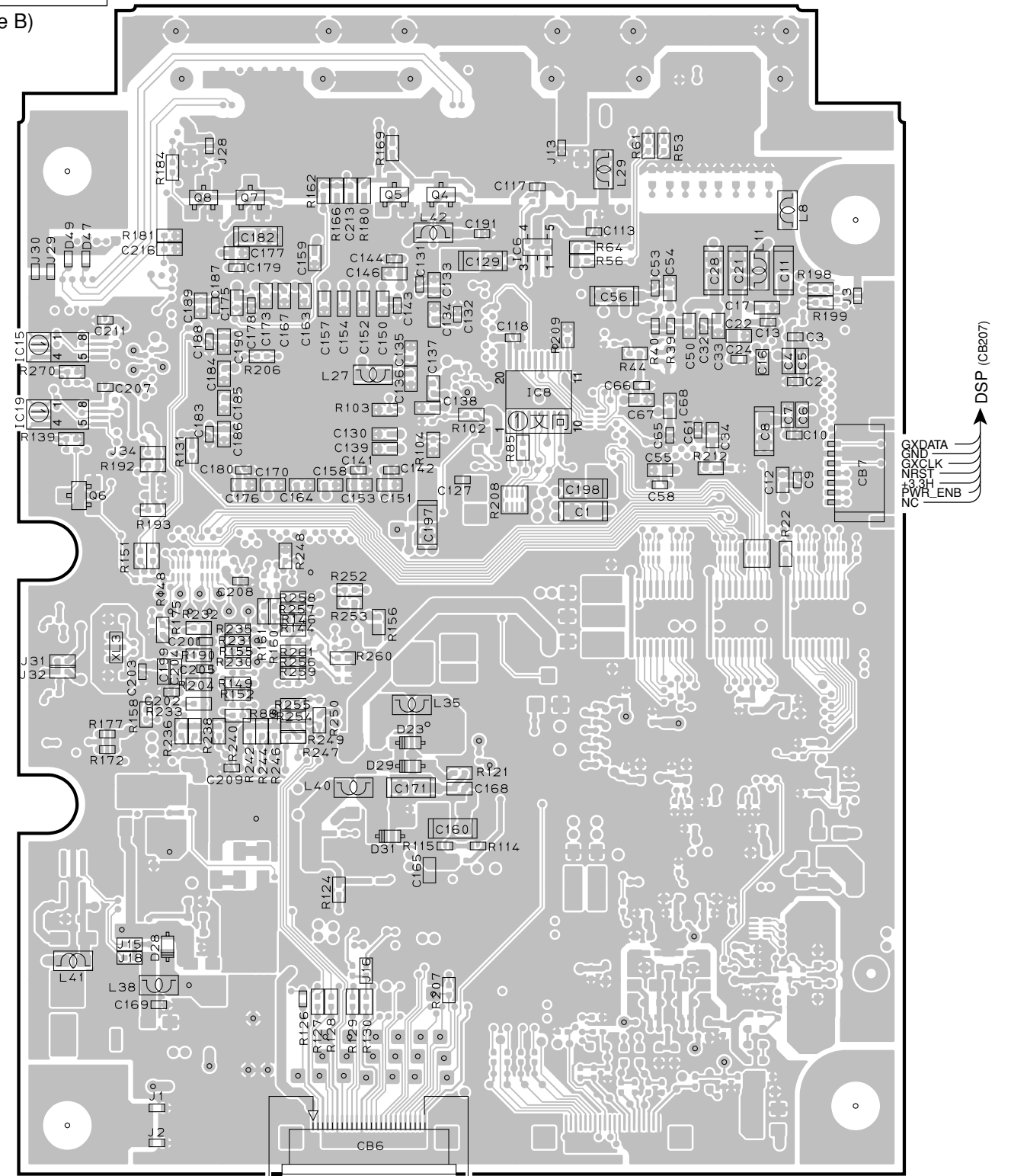
HDMI P.C.B.

(Side A)

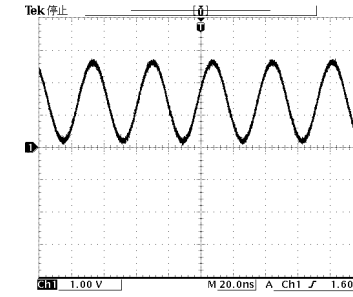


HDMI P.C.B.

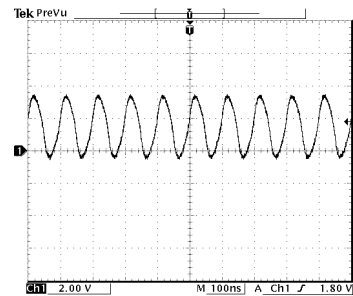
(Side B)



POINT (B-1) XL2 (Pin 95 of IC12)



POINT (B-2) XL3 (Pin 83 of IC16)



• Semiconductor Location

Ref no.	Location	Ref no.	Location
D9	D2	D46	G3
D10	D2	D47	G3
D11	D2	D48	G2
D13	C3	D49	G3
D19	C2	D50	E3
D20	C2	IC2	D3
D21	C2	IC6	I3
D22	C2	IC8	I3
D23	H5	IC10	C5
D24	C2	IC11	B6
D25	C2	IC12	B3
D26	C2	IC14	A3
D27	C2	IC15	F3
D28	G6	IC16	B4
D29	H5	IC19	F3
D31	H5	IC20	A3
D33	B2	Q2	C6
D34	B2	Q3	A4
D35	B2	Q4	H2
D36	H3	Q5	H2
D37	H3	Q6	G4
D38	H3	Q7	G2
D39	H3	Q8	G2
D40	H3	Q9	B5
D41	H3	Q11	C5

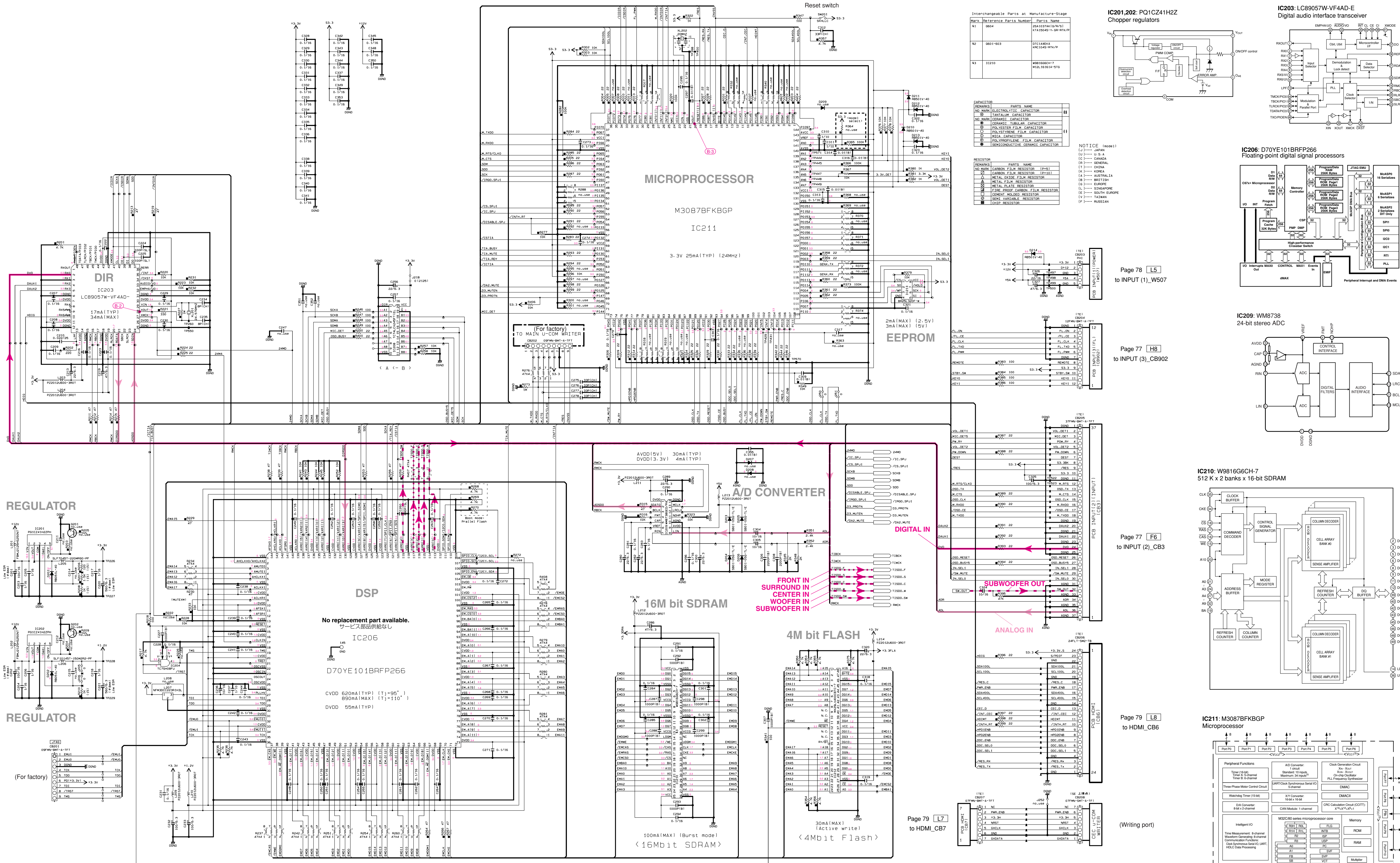
No replacement part available.
サービス部品供給なし

+4.3V
+4.3V
GND
GND
GND
+5.8V
INPUT (2) (w6)

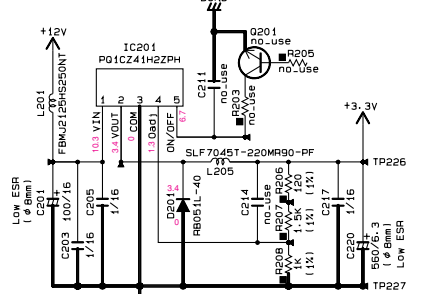
+3.3V_5
/SPDIF
GND
SDA100L
SCL100L
/RES_C
PWR_ENB
/RES_C
SCL400L
SCL400L
/INT_CCC
CEC_D
HDMI
/INT_H
HPD2ENB
HPD2ENB
DDC_SELO
DDC_SELI
/RES_TX
GND
DSP (CB206)

GXDATA
GND
/RXCLK
/RES_C
PWR_ENB
NC
DSP (CB207)

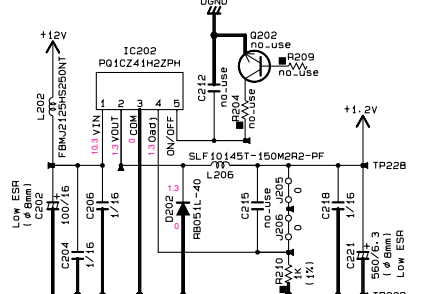
SCHEMATIC DIAGRAMS
DSP 1/2



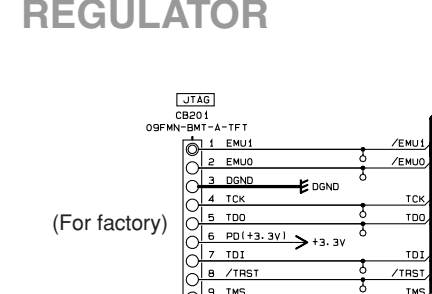
REGULATOR



REGULATOR



REGULATOR



(For factory)



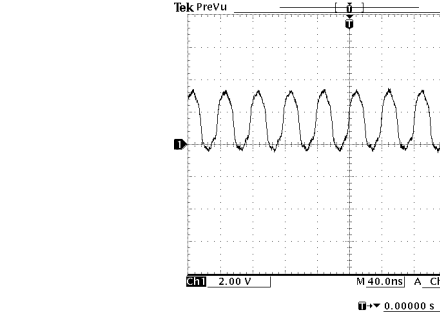
POINT (B-2) XL201 (Pin 28 of IC203)



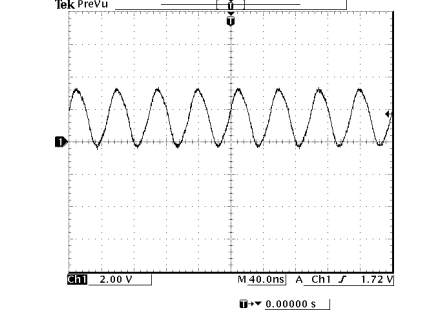
POINT (B-3) XL202 (Pin 20 of IC211)



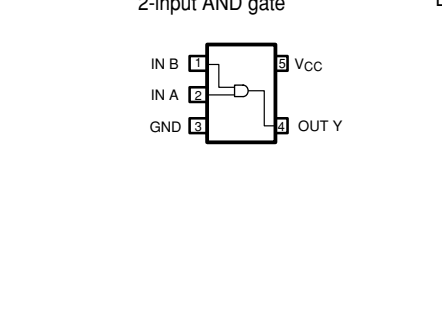
IC204: TC7SH08FU 2-input AND gate



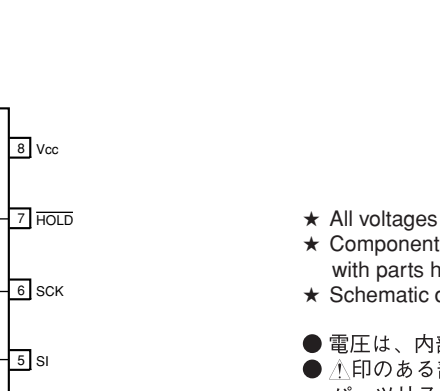
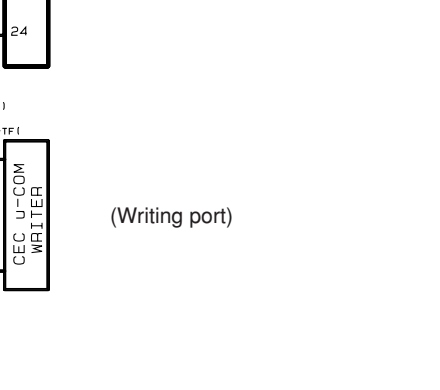
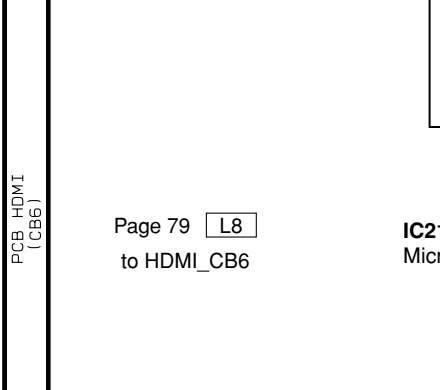
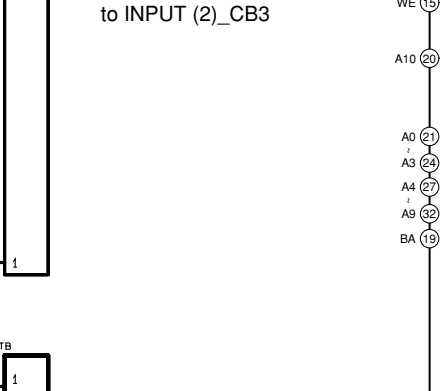
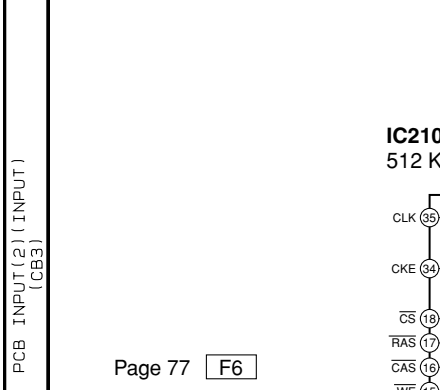
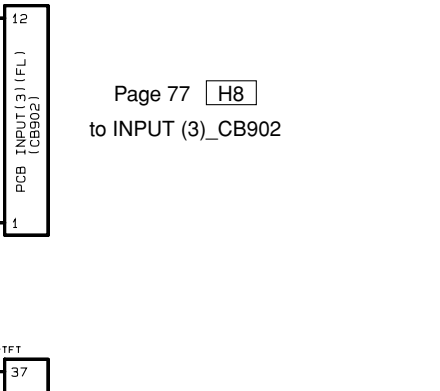
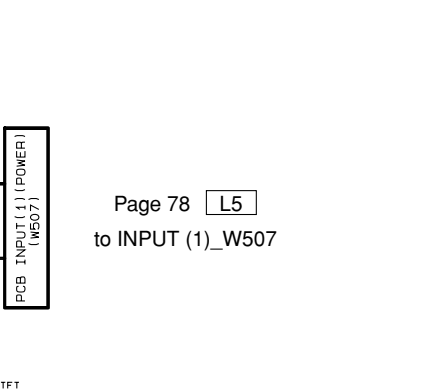
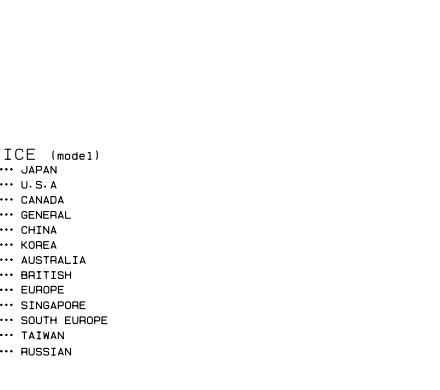
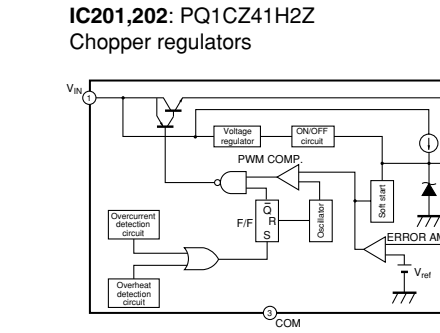
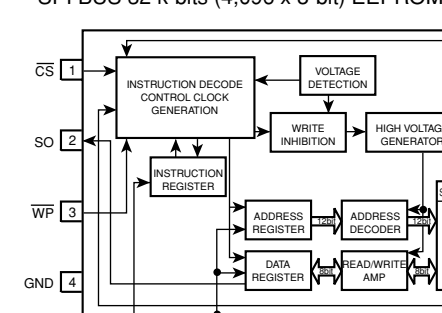
IC208: TC74LCX245FT Low voltage octal bus transceiver with 5-V tolerant inputs and outputs



IC213: BR25L320F-W EEPROM SPI BUS 32 k-bits (4,096 x 8-bit) EEPROM

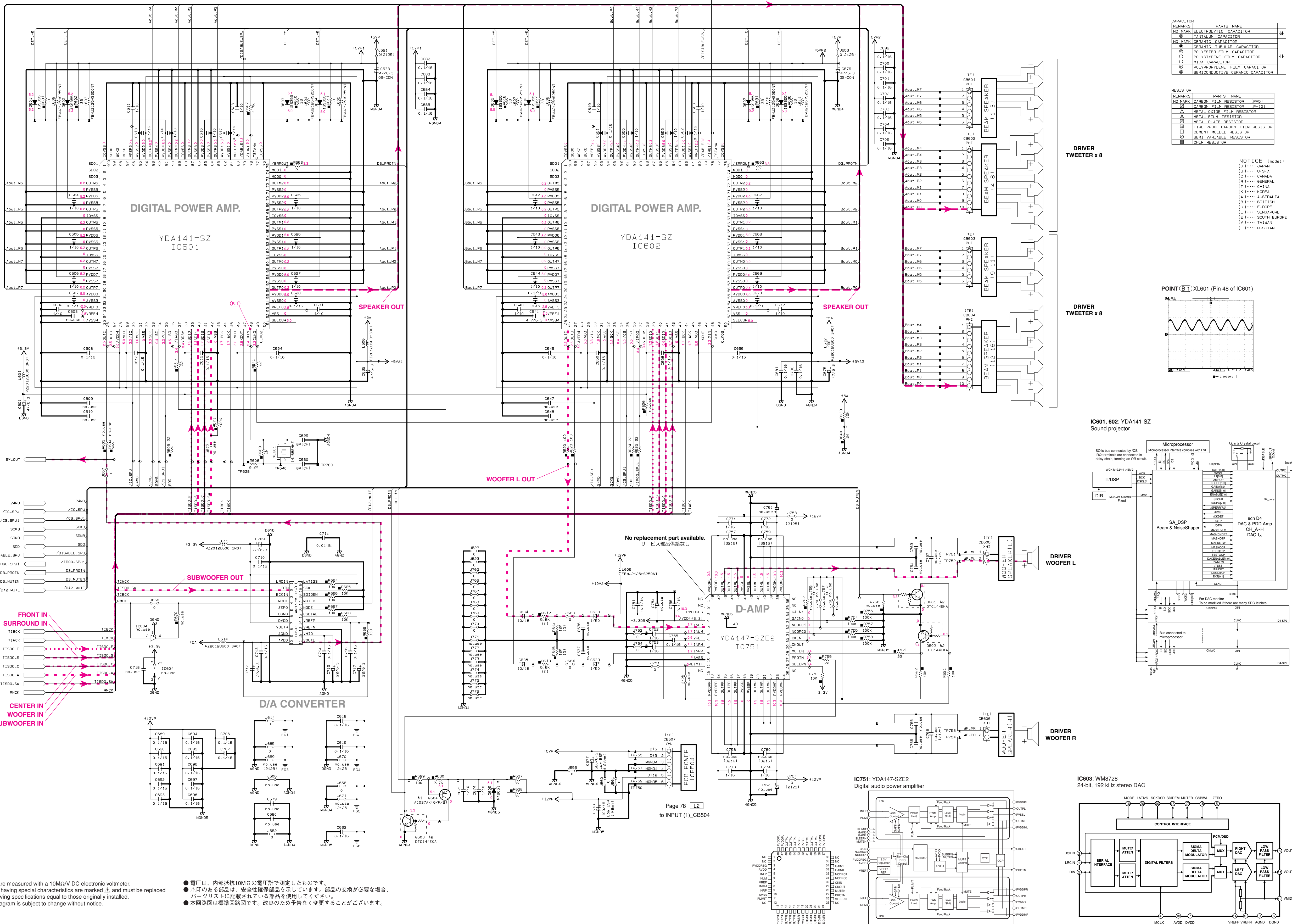


IC213: BR25L320F-W EEPROM SPI BUS 32 k-bits (4,096 x 8-bit) EEPROM



NOTE:
1. Pins P13 to P15 are provided in the 144-pin package only.
2. The supply voltage of M3087BFK6GP (high-voltage series) must be Vcc=Vcc2.
3. All voltages are measured with a 10MΩ/V DC electronic voltmeter.
4. Components having special characteristics are marked with a triangle, and must be replaced with parts having specifications equal to those originally installed.
5. Schematic diagram is subject to change without notice.
● 電圧は、内部抵抗10MΩの電圧計で測定したものです。
● 印のある部品は、安全確保部品を示しています。部品の交換が必要な場合、パーツリストに記載されている部品を使用してください。
● 本回路図は標準回路図です。改良のため予告なく変更することがございます。

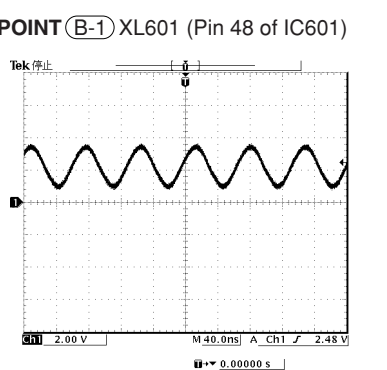
DSP 2/2



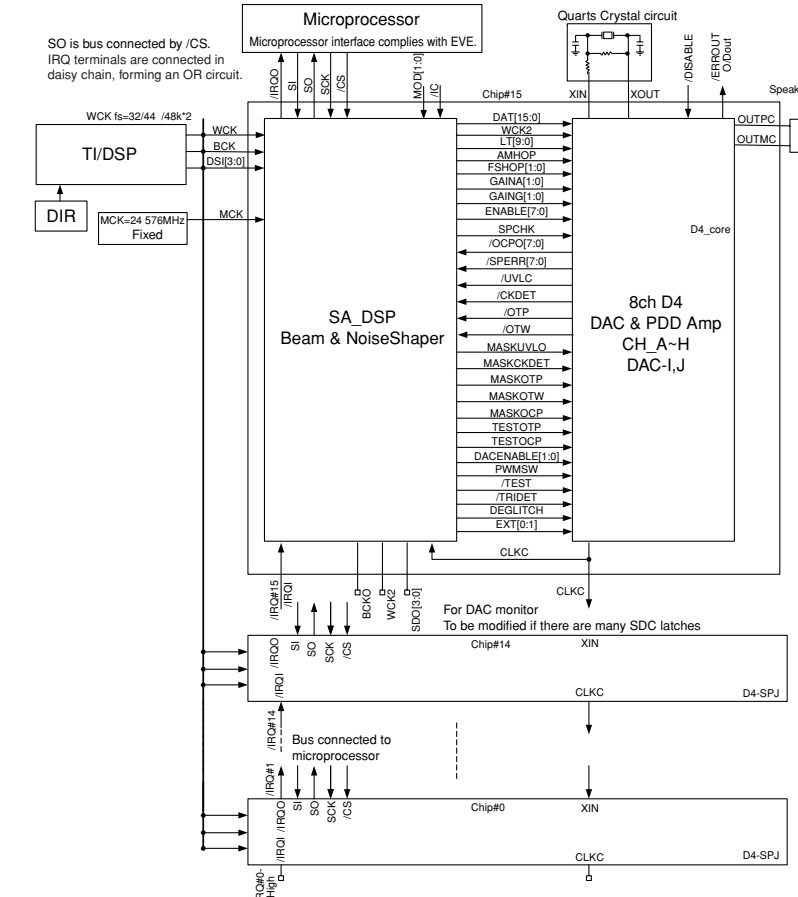
REMARKS	PARTS NAME	VALUE
NO MARK	ELECTROLYTIC CAPACITOR	HF
NO MARK	TANTALUM CAPACITOR	HF
NO MARK	CERAMIC CAPACITOR	II
NO MARK	CERAMIC TUBULAR CAPACITOR	II
NO MARK	POLYESTER FILM CAPACITOR	II
NO MARK	POLYPROPYLENE FILM CAPACITOR	II
NO MARK	MICA CAPACITOR	II
NO MARK	SEMICONDUCTIVE CERAMIC CAPACITOR	II

REMARKS	PARTS NAME	VALUE
NO MARK	CARBON FILM RESISTOR (P=5)	II
NO MARK	CARBON FILM RESISTOR (P=10)	II
NO MARK	METAL OXIDE FILM RESISTOR	II
NO MARK	METAL FILM RESISTOR	II
NO MARK	METAL PLATE RESISTOR	II
NO MARK	FINE PITCH CARBON FILM RESISTOR	II
NO MARK	CEMENT MOUNTED RESISTOR	II
NO MARK	SEMI VARIABLE RESISTOR	II
NO MARK	CHIP RESISTOR	II

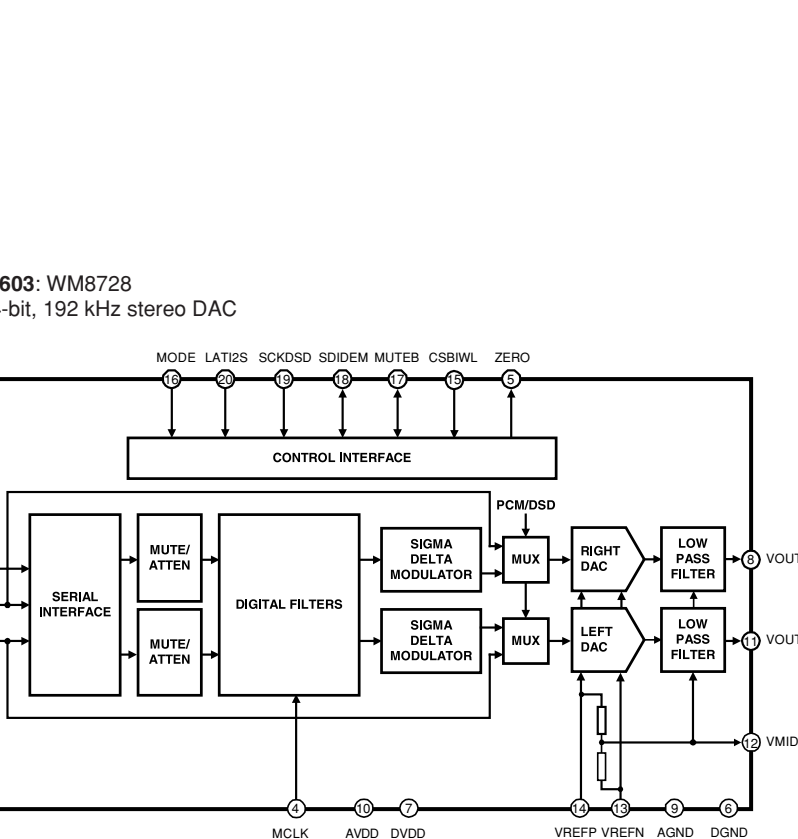
NOTICE (mode1)
 (U)..... U.S.A
 (C)..... CANADA
 (B)..... GENERAL
 (T)..... CHINA
 (K)..... KOREA
 (A)..... AUSTRALIA
 (B)..... BRITISH
 (G)..... EUROPE
 (S)..... SINGAPORE
 (E)..... SOUTH EUROPE
 (V)..... TAIWAN
 (F)..... RUSSIAN



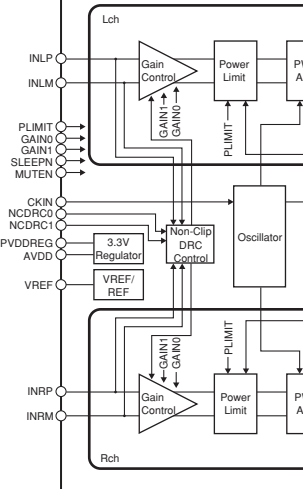
IC601, 602: YDA141-SZ Sound projector



IC603: WM8728 24-bit, 192 kHz stereo DAC



IC751: YDA147-SZ E2 Digital audio power amplifier

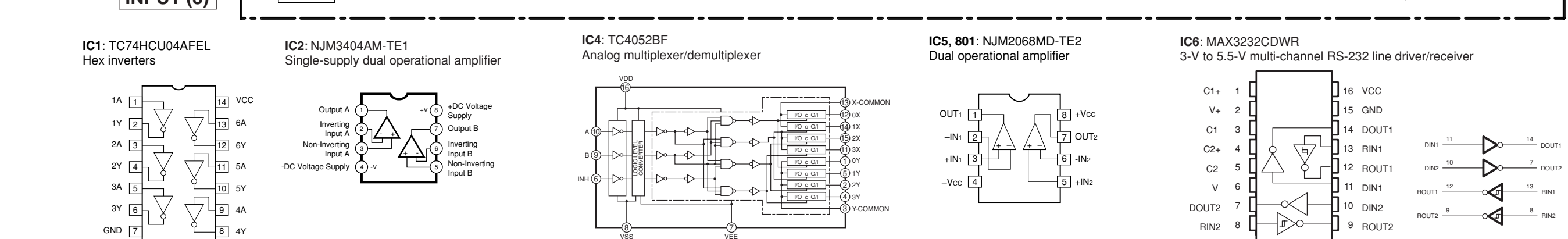
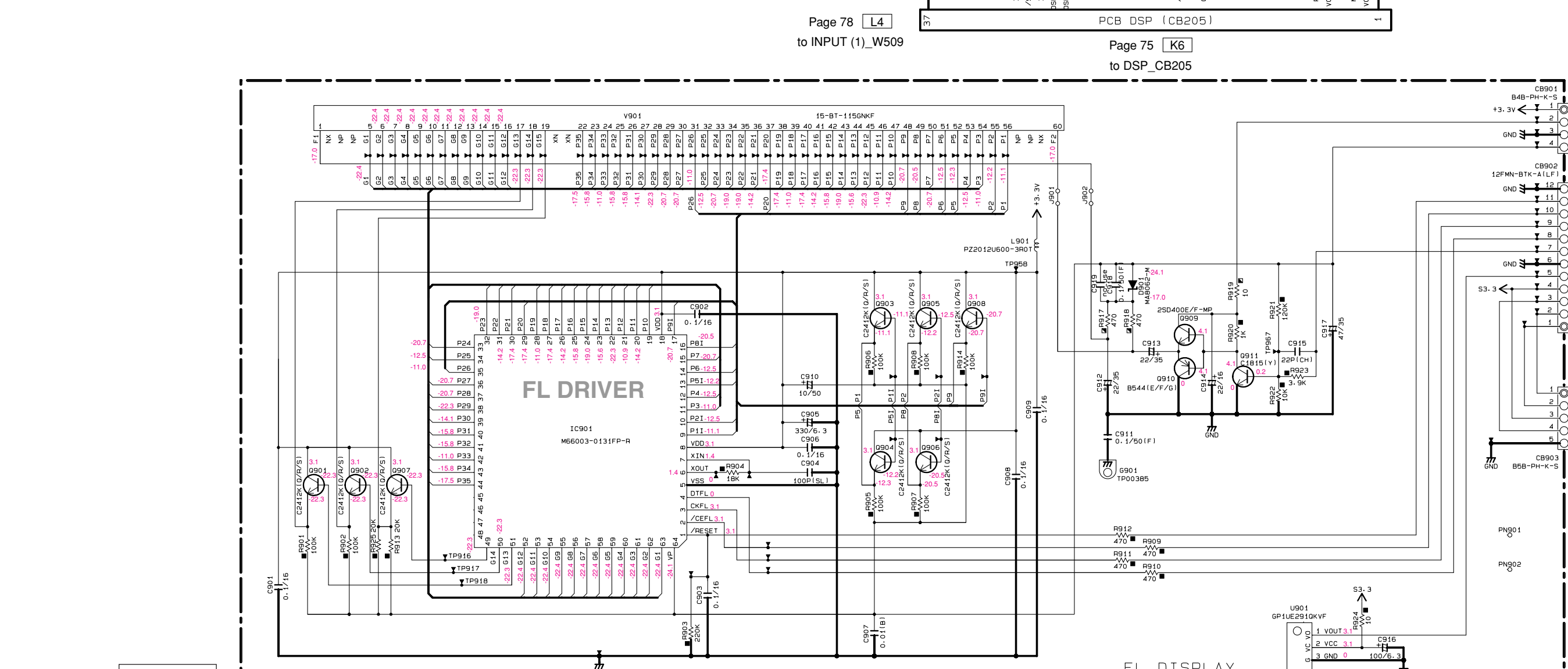
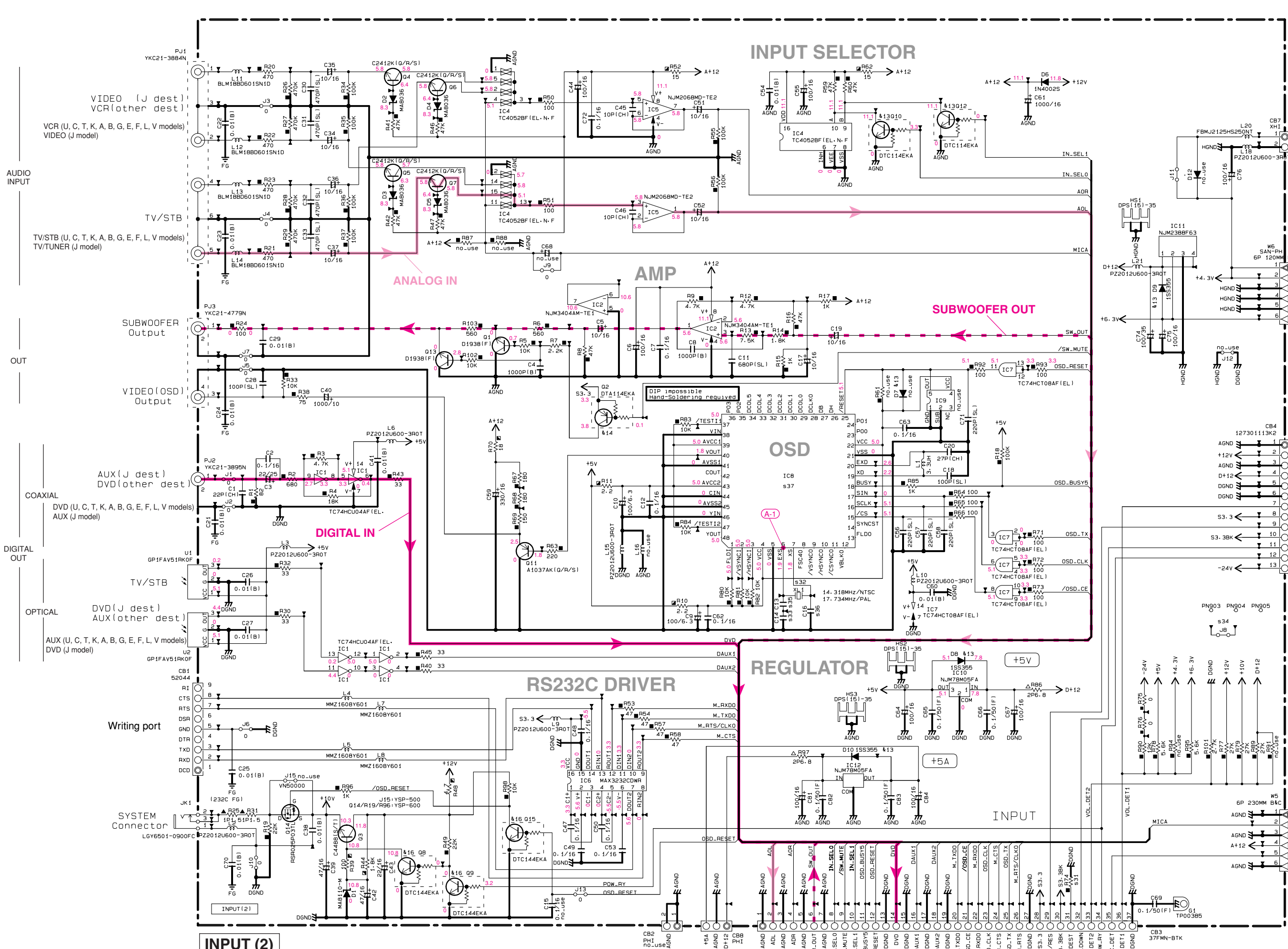


Page 78 [L2] to INPUT (1), CB504

* All voltages are measured with a 10MΩ/V DC electronic voltmeter.
 * Components having special characteristics are marked with * and must be replaced with parts having specifications equal to those originally installed.
 * Schematic diagram is subject to change without notice.

●電圧は、内部抵抗10MΩの電圧計で測定したものです。
 ●*印のある部品は、安全性確保部品を示しています。部品の交換が必要な場合、パーツリストに記載されている部品を使用してください。
 ●本回路図は標準回路図です。改良のため予告なく変更することがございます。

INPUT 1/2

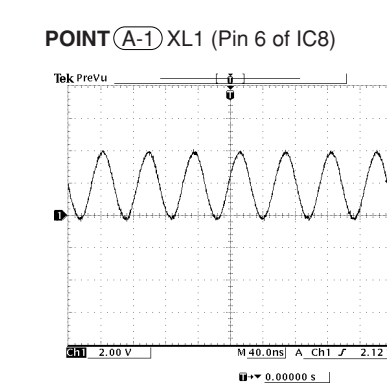


Destination Part List

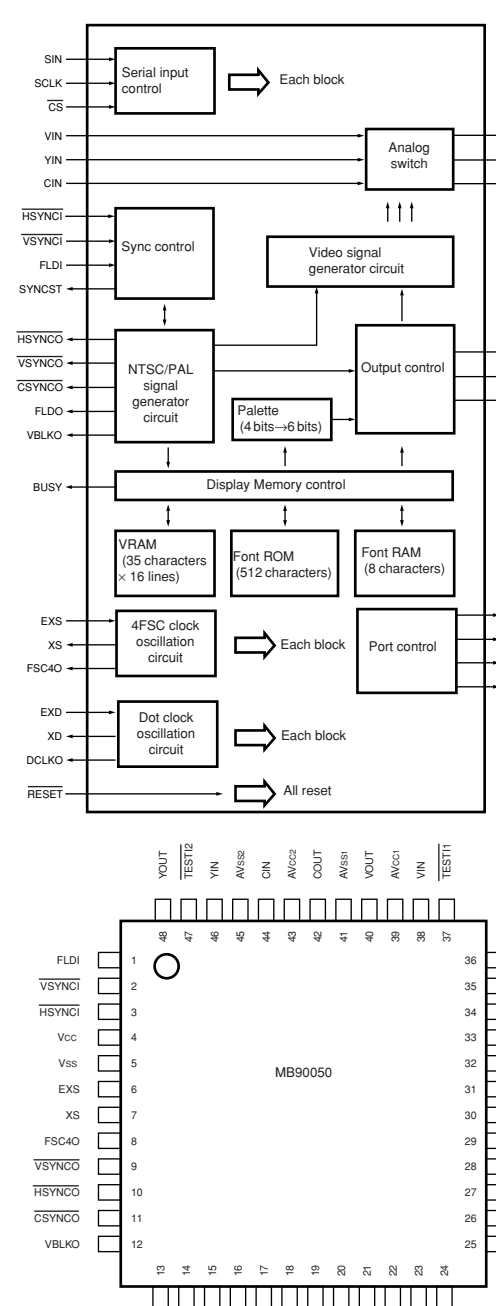
Destination	Part	YSP-600	HTY-760
R31	R74	X	X
R32	R75	X	X
R33	R76	X	X
R34	R77	X	X
R35	R78	X	X
R36	R79	X	X
R37	R80	X	X

Interchangeable Parts at Manufacture-Stage

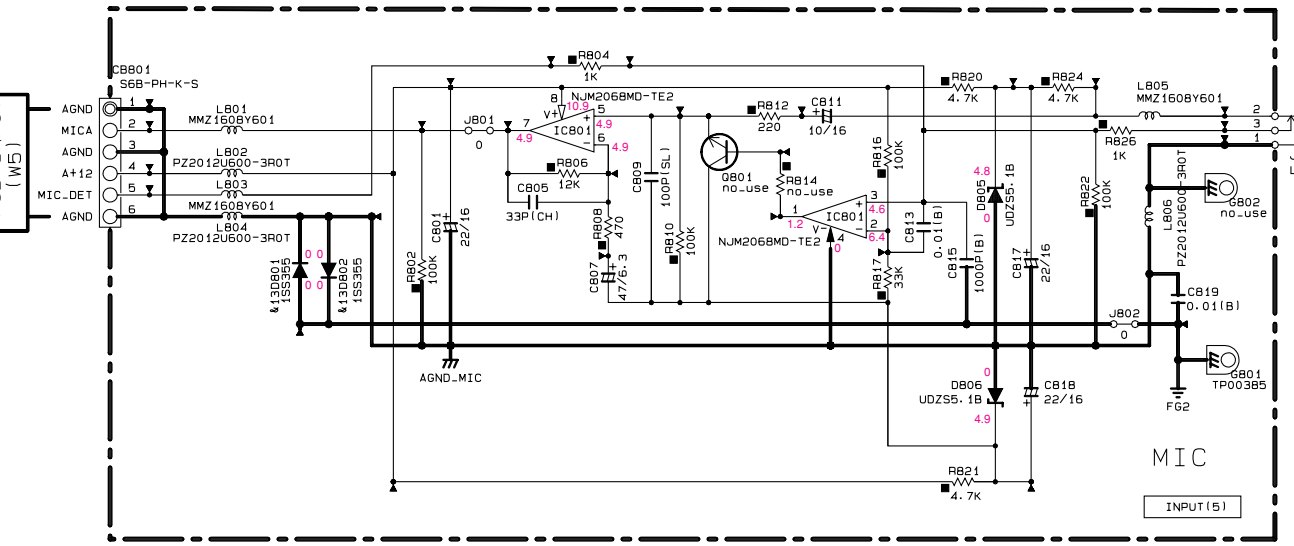
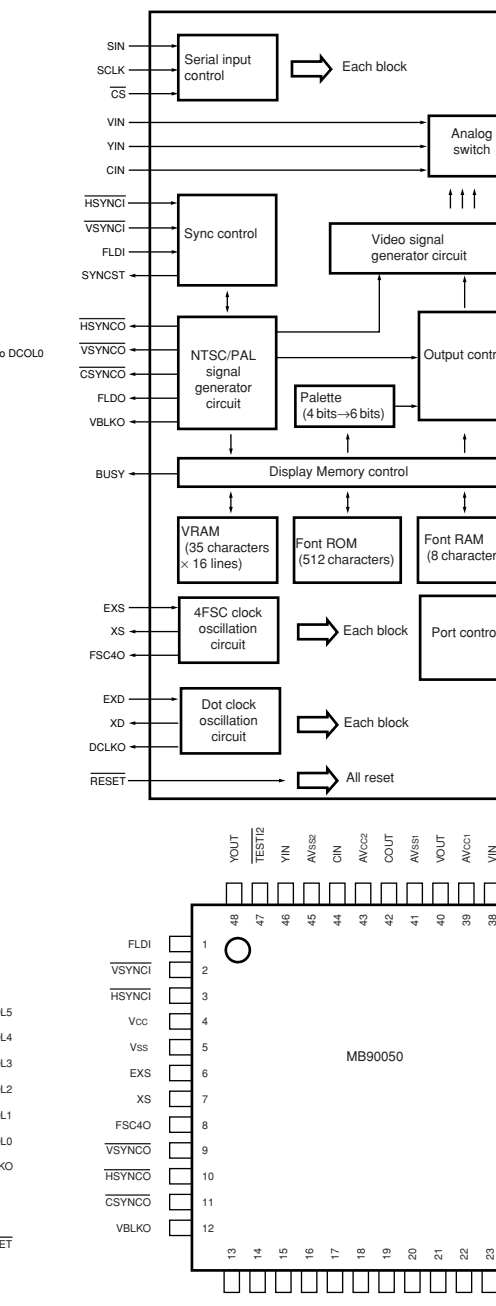
Mark	Reference Parts Number	Parts Name
414	02	ST1144KA KR104S-RTK/P
415	010-12	DT1144KA KR104S-RTK/P
416	08-9-15	DT1144KA KR104S-RTK/P



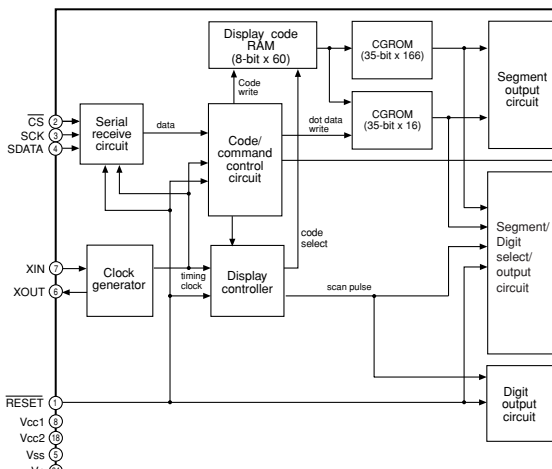
IC8: MB90050PF-G-118-E1 OSD controller



IC8: MB90050PF-G-119-E1 OSD controller



IC901: M66003-0131FP-R 18 digit 5 x 7 segment VFD controller/driver



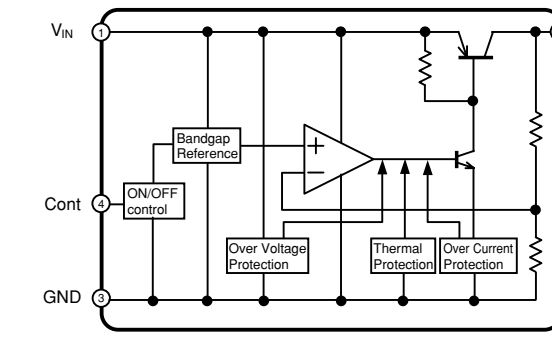
CAPACITOR

REMARKS	PARTS NAME
NO MARK	ELECTROLYTIC CAPACITOR
NO MARK	TANTALUM CAPACITOR
NO MARK	CERAMIC CAPACITOR
◎	POLYESTER FILM CAPACITOR
○	POLYSTYRENE FILM CAPACITOR
⊙	MICA CAPACITOR
⊚	POLYPROPYLENE FILM CAPACITOR
⊛	SEMICONDUCTIVE CERAMIC CAPACITOR

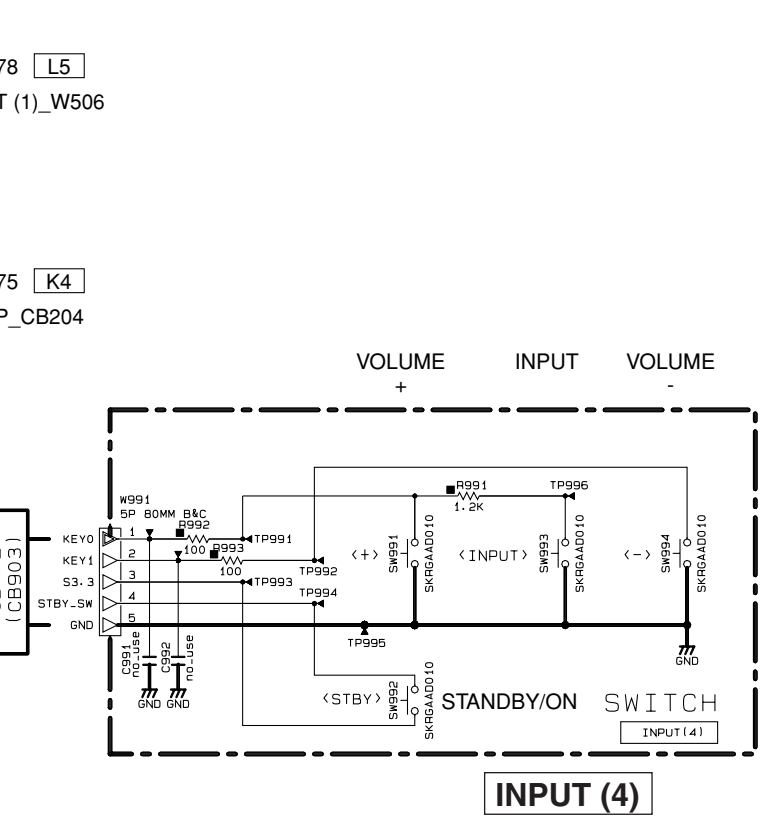
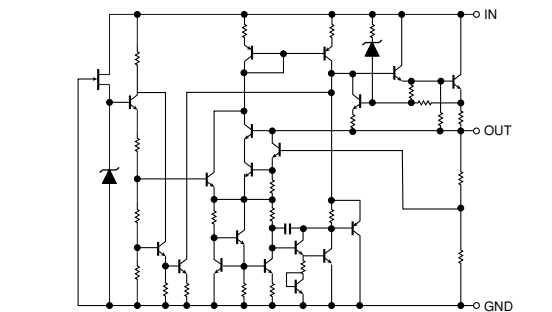
RESISTOR

REMARKS	PARTS NAME
NO MARK	CARBON FILM RESISTOR (D=5)
□	CARBON FILM RESISTOR (D=10)
△	METAL OXIDE FILM RESISTOR
▲	METAL FILM RESISTOR
⊞	METAL PLATE RESISTOR
⊟	FIRE PROOF CARBON FILM RESISTOR
⊠	CEMENT MOLDED RESISTOR
⊡	SEMI VARIABLE RESISTOR
⊢	CHIP RESISTOR

IC11: NJM2388F63 Low dropout voltage regulator with ON/OFF control



IC10, 12: NJM78M05FA 3-terminal positive voltage regulator



Destination for A/D port

Destination	39k	91k	24k	15k	3.135-3.3
Dest [V]	2.475-2.805	2.805-3.135	2.145-2.475	1.185-2.145	3.135-3.3
A/D value (3.3V=255)	191-217	217-242	168-191	92-160	242-255
Destination	U, C	T, A, B, G, E, F, L (YSP-600)	K, V	B, G, E, F (HTY-760)	J

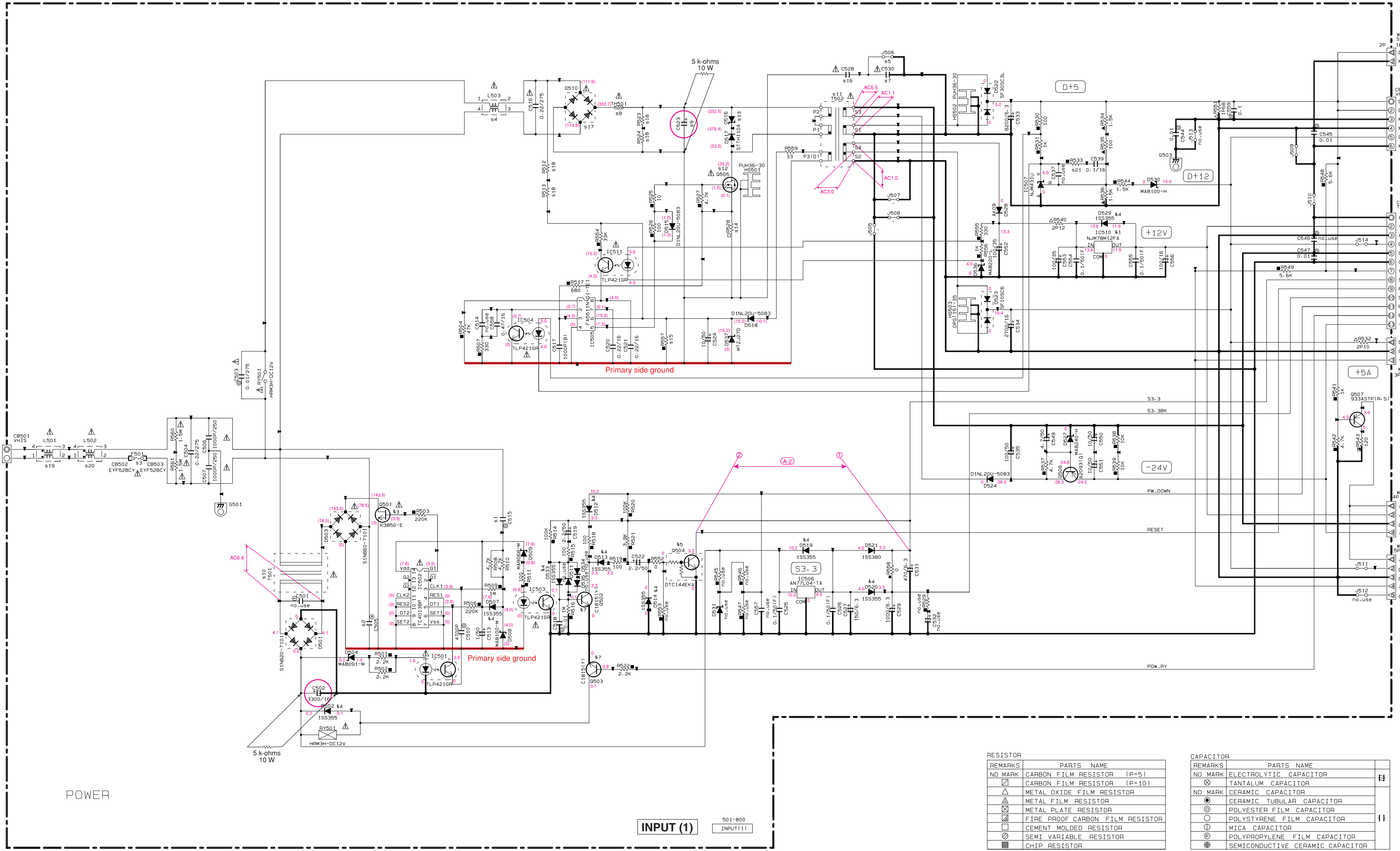
Key detection for A/D port

Chm	0	+1.2k
A/D value (3.3V=255)	0-165	0.165-0.495
KEY0 (138 pin)	VOLUME+	INPUT
KEY1 (139 pin)	VOLUME-	-

* All voltages are measured with a 10MQ/V DC electronic voltmeter.
 * Components having special characteristics are marked ♯, and must be replaced with parts having specifications equal to those originally installed.
 * Schematic diagram is subject to change without notice.

● 電圧は、内部抵抗10MQの電圧計で測定したものです。
 ● 上印のある部品は、安全確保部品を示しています。部品の交換が必要な場合、パーツリストに記載されている部品を使用してください。
 ● 本回路図は標準回路図です。改良のため予告なく変更することがございます。

INPUT 2/2



NOTICE (model) (J)..... JAPAN (U)..... U.S.A (C)..... CANADA (R)..... GENERAL (T)..... CHINA (K)..... KOREA (A)..... AUSTRALIA (E)..... BRITISH (G)..... EUROPE (L)..... SINGAPORE (S)..... SOUTH EUROPE (V)..... TAIWAN (F)..... RUSSIAN

Interchangeable Parts at Manufacture Stage table with columns: Mark, Reference Parts Number, Parts Name. Includes parts like IC510, D501, D502-507, D504, D502-503, D502-503.

Page 77 H2 to INPUT (2)_CB7

Page 76 H9 to DSP_CB607

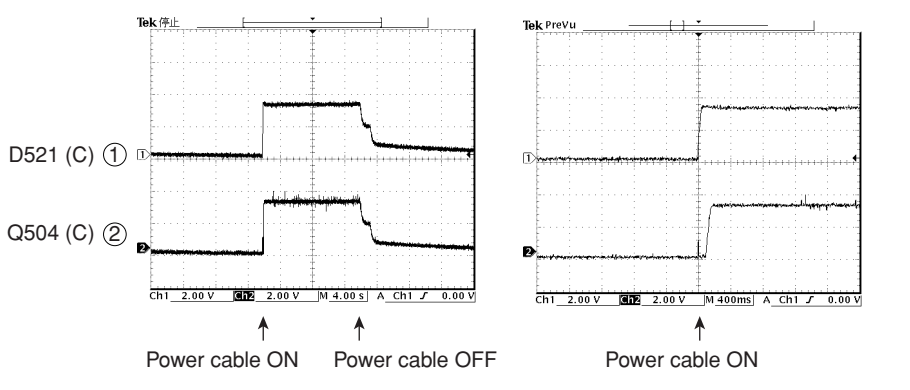
Page 77 H4 to INPUT (2)_CB4

Page 77 E6 to INPUT (2)_CB8

Page 77 H7 to INPUT (3)_CB901

Page 75 K4 to DSP_CB203

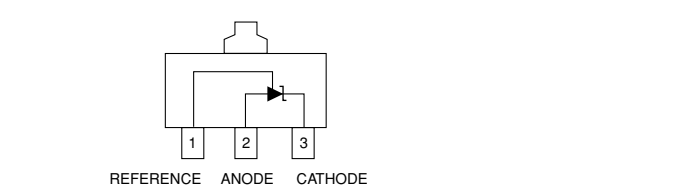
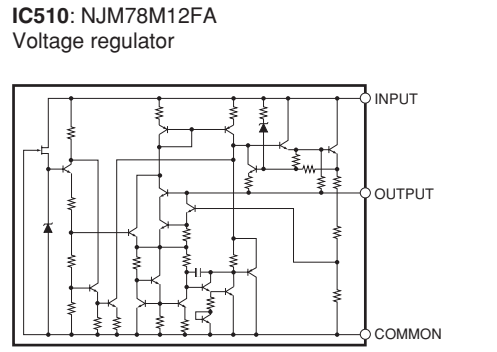
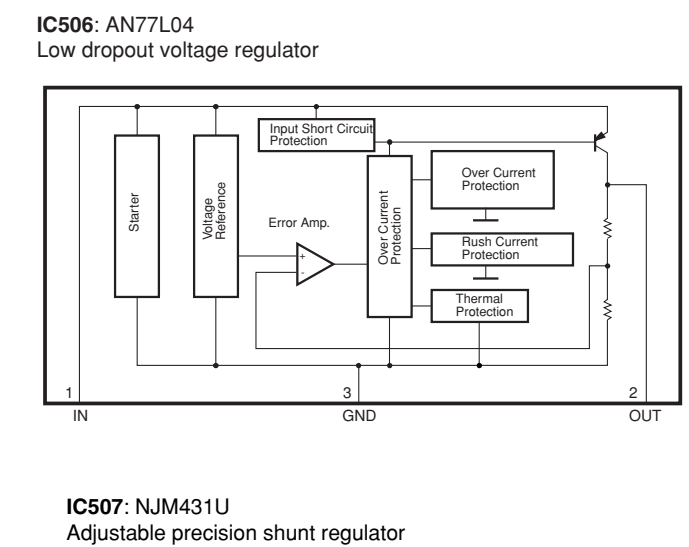
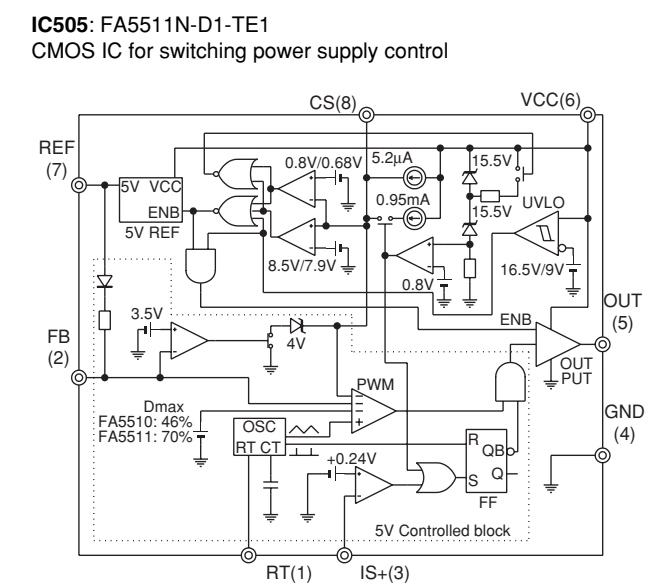
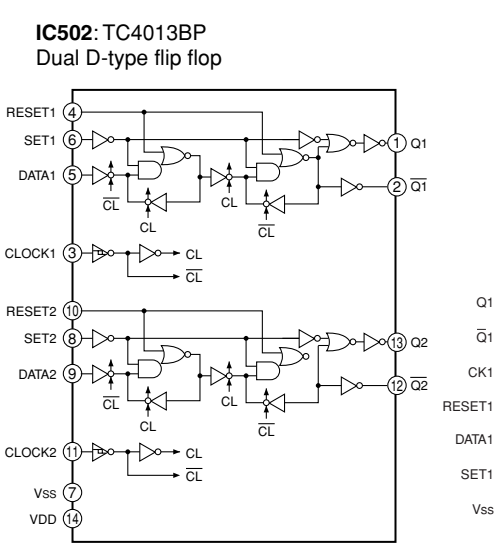
POINT (A-2) ① D521, ② Q504



RESISTOR table with columns: REMARKS, PARTS NAME. Lists types like CARBON FILM RESISTOR, METAL OXIDE FILM RESISTOR, etc.

CAPACITOR table with columns: REMARKS, PARTS NAME. Lists types like ELECTROLYTIC CAPACITOR, TANTALUM CAPACITOR, etc.

Destination Part List table with columns: sxx, LOC, J, UC, TABGEFL, K, Y, BOE. Lists various components and their locations.



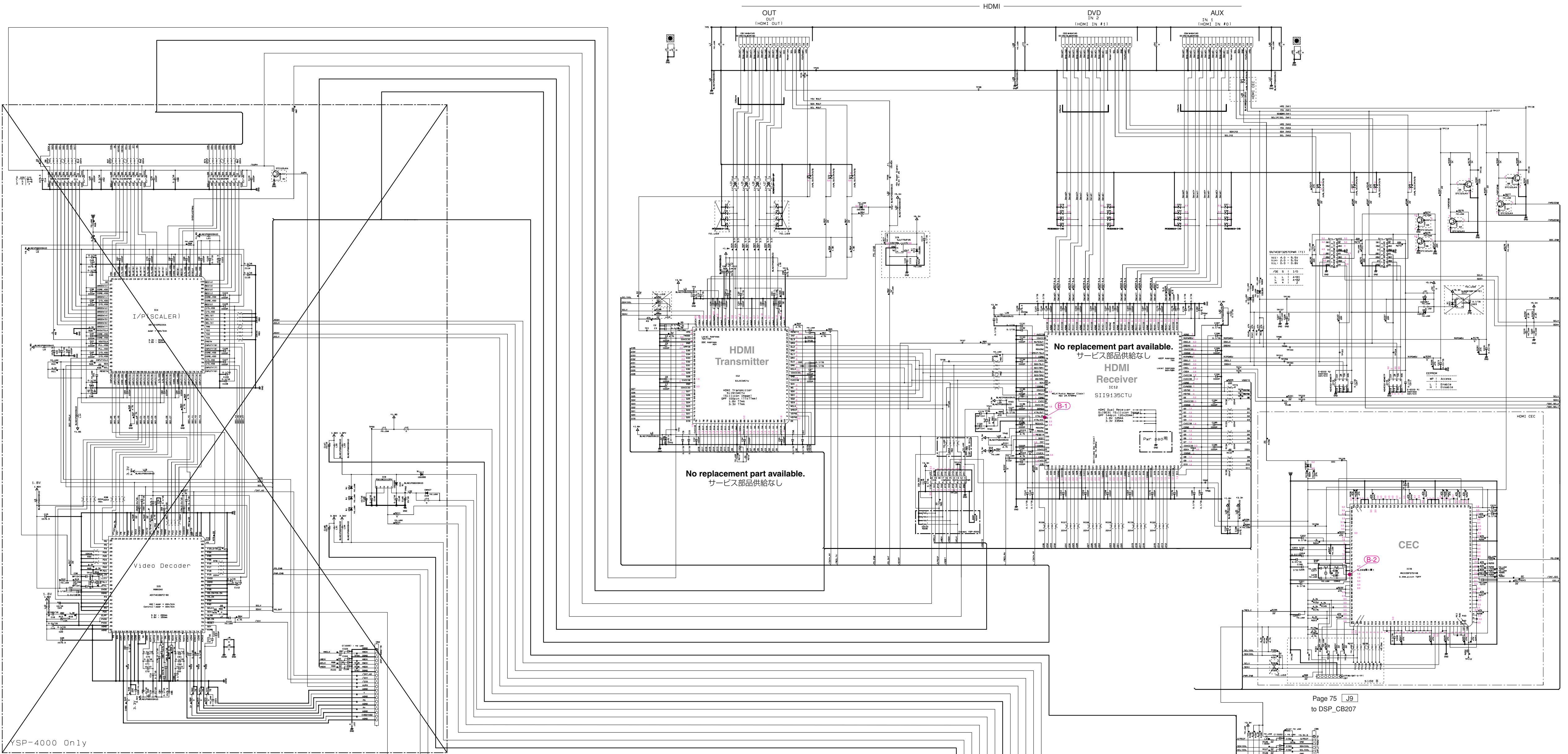
CAUTION! Safety measures. Note that positions indicated below are dangerous even after the power is turned off because an electric charge remains and a high voltage continues to exist there.

注意！安全対策。この製品の内部には高電圧部分があり危険です。修理の際は、絶縁性の手袋を使用などの安全対策を行ってください。

* All voltages are measured with a 10MΩ/V DC electronic voltmeter. * Components having special characteristics are marked with * and must be replaced with parts having specifications equal to those originally installed.

● 電圧は、内部抵抗10MΩの電圧計で測定したものです。 ● *印のある部品は、安全性確保部品を示しています。部品の交換が必要な場合、パーツリストに記載されている部品を使用してください。

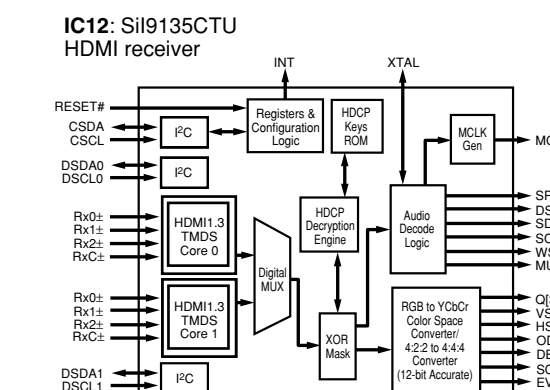
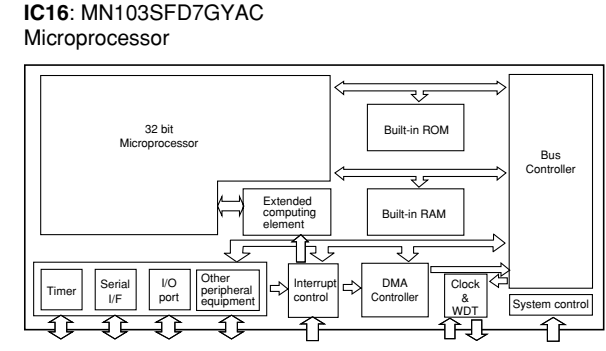
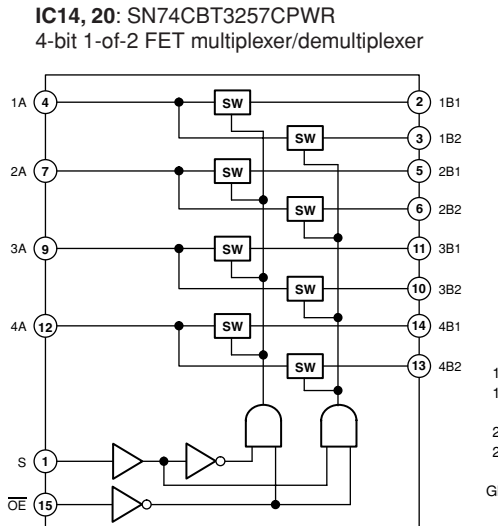
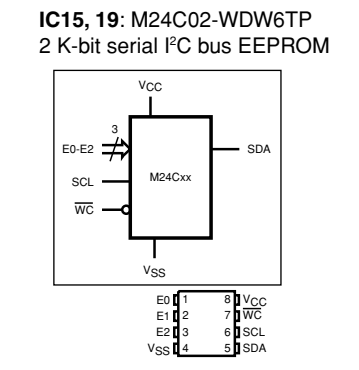
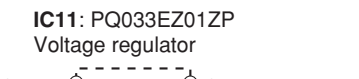
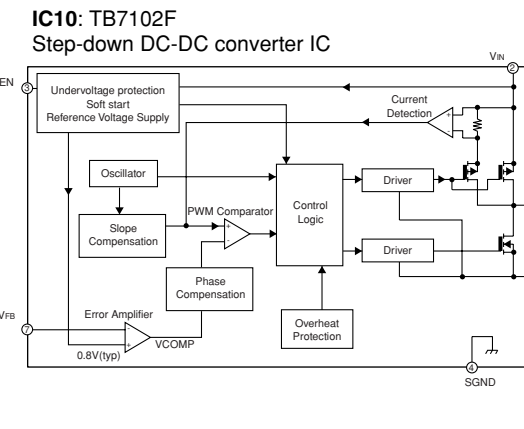
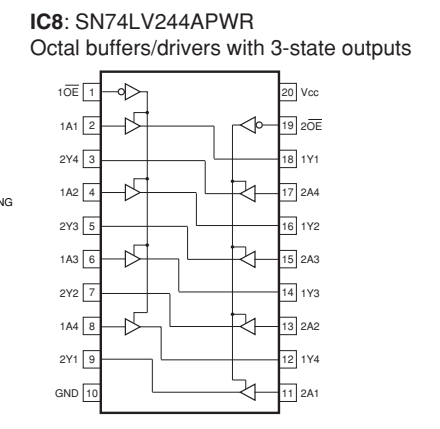
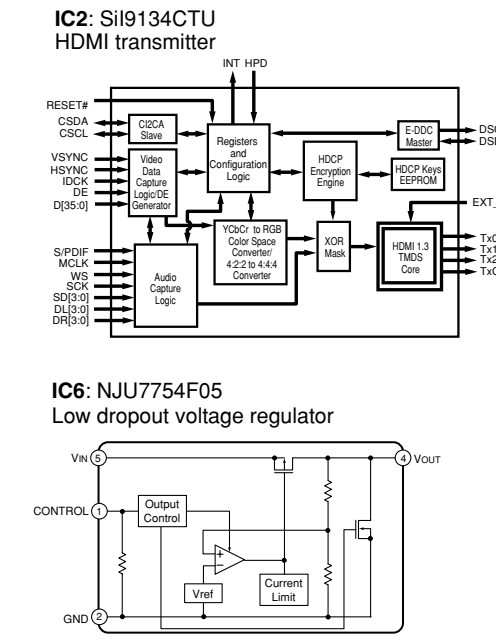
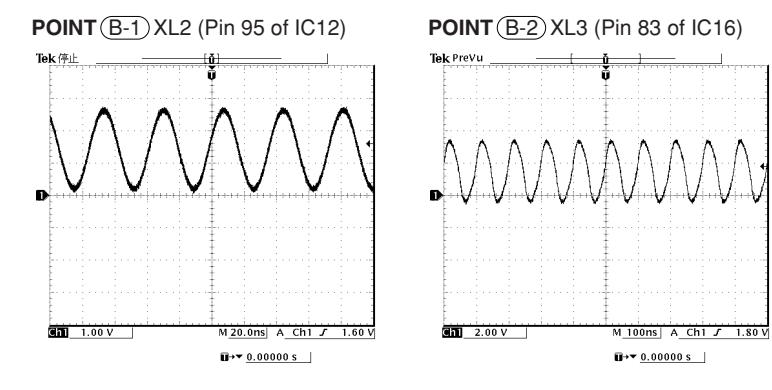
HDMI



YSP-4000 Only

Page 75 [J9] to DSP_CB207

Page 75 [K8] to DSP_CB206



- ★ All voltages are measured with a 10MΩ/V DC electronic voltmeter.
- ★ Components having special characteristics are marked !, and must be replaced with parts having specifications equal to those originally installed.
- ★ Schematic diagram is subject to change without notice.
- 電圧は、内部抵抗10MΩの電圧計で測定したものです。
- !印のある部品は、安全性確保部品を示しています。部品の交換が必要な場合、パーツリストに記載されている部品を使用してください。
- 本回路図は標準回路図です。改良のため予告なく変更することがございます。

REF ID	VALUE	DESCRIPTION	REF ID	VALUE	DESCRIPTION
R1	10K	PULL-UP RESISTOR	R10	10K	PULL-UP RESISTOR
R2	10K	PULL-UP RESISTOR	R11	10K	PULL-UP RESISTOR
R3	10K	PULL-UP RESISTOR	R12	10K	PULL-UP RESISTOR
R4	10K	PULL-UP RESISTOR	R13	10K	PULL-UP RESISTOR
R5	10K	PULL-UP RESISTOR	R14	10K	PULL-UP RESISTOR
R6	10K	PULL-UP RESISTOR	R15	10K	PULL-UP RESISTOR
R7	10K	PULL-UP RESISTOR	R16	10K	PULL-UP RESISTOR
R8	10K	PULL-UP RESISTOR	R17	10K	PULL-UP RESISTOR
R9	10K	PULL-UP RESISTOR	R18	10K	PULL-UP RESISTOR

Page 77 [H3] to INPUT (2)_W6

■ REPLACEMENT PARTS LIST

• ELECTRICAL COMPONENT PARTS

WARNING

- Components having special characteristics are marked \triangle and must be replaced with parts having specifications equal to those originally installed.
- The chip resistor is not supplied as a replacement part.
 - * When a chip resistor is necessary, use the following part.
AAX60720: CHIP RESISTOR SAMPLE BOOK
- \triangle 印のある部分は、安全確保部品を示しています。部品の交換が必要な場合、パーツリストに記載されている部品を使用してください。
- チップ抵抗はサービス部品として供給しません。
 - ※ チップ抵抗が必要な場合は、下記の部品をご利用ください。
AAX60720: CHIP RESISTOR SAMPLE BOOK
- 部品価格ランクは、予告なく変更することがあります。

ABBREVIATIONS IN THIS LIST ARE AS FOLLOWS:

C.A.EL.CHP	: CHIP ALUMI.ELECTROLYTIC CAP	L.EMIT	: LIGHT EMITTING MODULE
C.CE	: CERAMIC CAP	LED.DSPLY	: LED DISPLAY
C.CE.ARRAY	: CERAMIC CAP ARRAY	LED.INFRD	: LED,INFRARED
C.CE.CHP	: CHIP CERAMIC CAP	MODUL.RF	: MODULATOR,RF
C.CE.ML	: MULTILAYER CERAMIC CAP	PHOT.CPL	: PHOTO COUPLER
C.CE.M.CHP	: CHIP MULTILAYER CERAMIC CAP	PHOT.INTR	: PHOTO INTERRUPTER
C.CE.SAFTY	: RECOGNIZED CERAMIC CAP	PHOT.RFLCT	: PHOTO REFLECTOR
C.CE.TUBLR	: CERAMIC TUBULAR CAP	PIN.TEST	: PIN,TEST POINT
C.CE.SMI	: SEMI CONDUCTIVE CERAMIC CAP	PLST.RIVET	: PLASTIC RIVET
C.EL	: ELECTROLYTIC CAP	R.ARRAY	: RESISTOR ARRAY
C.MICA	: MICA CAP	R.CAR.	: CARBON RESISTOR
C.ML.FLM	: MULTILAYER FILM CAP	R.CAR.CHP	: CHIP RESISTOR
C.MP	: METALLIZED PAPER CAP	R.CAR.FP	: FLAME PROOF CARBON RESISTOR
C.MYLAR	: MYLAR FILM CAP	R.FUS	: FUSABLE RESISTOR
C.MYLAR.ML	: MULTILAYER MYLAR FILM CAP	R.MTL.CHP	: CHIP METAL FILM RESISTOR
C.PAPER	: PAPER CAPACITOR	R.MTL.FLM	: METAL FILM RESISTOR
C.PLS	: POLYSTYRENE FILM CAP	R.MTL.OXD	: METAL OXIDE FILM RESISTOR
C.POL	: POLYESTER FILM CAP	R.MTL.PLAT	: METAL PLATE RESISTOR
C.POLY	: POLYETHYLENE FILM CAP	RSNR.CE	: CERAMIC RESONATOR
C.PP	: POLYPROPYLENE FILM CAP	RSNR.CRYS	: CRYSTAL RESONATOR
C.TNTL	: TANTALUM CAP	R.TW.CEM	: TWIN CEMENT FIXED RESISTOR
C.TNTL.CHP	: CHIP TANTALUM CAP	R.CEMENT	: CEMENT RESISTOR
C.TRIM	: TRIMMER CAP	SCR.BND.HD	: BIND HEAD B-TIGHT SCREW
CN	: CONNECTOR	SCR.BW.HD	: BW HEAD TAPPING SCREW
CN.BS.PIN	: CONNECTOR,BASE PIN	SCR.CUP	: CUP TIGHT SCREW
CN.CANNON	: CONNECTOR,CANNON	SCR.TERM	: SCREW TERMINAL
CN.DIN	: CONNECTOR,DIN	SCR.TR	: SCREW,TRANSISTOR
CN.FLAT	: CONNECTOR,FLAT CABLE	SUPRT.PCB	: SUPPORT,P.C.B.
CN.POST	: CONNECTOR,BASE POST	SURG.PRTCT	: SURGE PROTECTOR
COIL.MX.AM	: COIL,AM MIX	SW.TACT	: TACT SWITCH
COIL.AT.FM	: COIL,FM ANTENNA	SW.LEAF	: LEAF SWITCH
COIL.DT.FM	: COIL,FM DETECT	SW.LEVER	: LEVER SWITCH
COIL.MX.FM	: COIL,FM MIX	SW.MICRO	: MICRO SWITCH
COIL.OUTPT	: OUTPUT COIL	SW.PUSH	: PUSH SWITCH
DIOD.ARRAY	: DIODE ARRAY	SW.RT.ENC	: ROTARY ENCODER
DIODE.BRG	: DIODE BRIDGE	SW.RT.MTR	: ROTARY SWITCH WITH MOTOR
DIODE.CHP	: CHIP DIODE	SW.RT	: ROTARY SWITCH
DIODE.VAR	: VARACTOR DIODE	SW.SLIDE	: SLIDE SWITCH
DIOD.Z.CHP	: CHIP ZENER DIODE	TERM.SP	: SPEAKER TERMINAL
DIODE.ZENR	: ZENER DIODE	TERM.WRAP	: WRAPPING TERMINAL
DSCR.CE	: CERAMIC DISCRIMINATOR	THRMST.CHP	: CHIP THERMISTOR
FER.BEAD	: FERRITE BEADS	TR.CHP	: CHIP TRANSISTOR
FER.CORE	: FERRITE CORE	TR.DGT	: DIGITAL TRANSISTOR
FET.CHP	: CHIP FET	TR.DGT.CHP	: CHIP DIGITAL TRANSISTOR
FL.DSPLY	: FLUORESCENT DISPLAY	TRANS	: TRANSFORMER
FLTR.CE	: CERAMIC FILTER	TRANS.PULS	: PULSE TRANSFORMER
FLTR.COMB	: COMB FILTER MODULE	TRANS.PWR	: POWER TRANSFORMER ASS'Y
FLTR.LC.RF	: LC FILTER,EMI	TUNER.AM	: TUNER PACK,AM
GND.MTL	: GROUND PLATE	TUNER.FM	: TUNER PACK,FM
GND.TERM	: GROUND TERMINAL	TUNER.PK	: FRONT-ENDTUNER PACK
HOLDER.FUS	: FUSE HOLDER	VR	: ROTARY POTENTIOMETER
IC.PRTCT	: IC PROTECTOR	VR.MTR	: POTENTIOMETER WITH MOTOR
JUMPER.CN	: JUMPER CONNECTOR	VR.SW	: POTENTIOMETER WITH ROTARY SW
JUMPER.TST	: JUMPER,TEST POINT	VR.SLIDE	: SLIDE POTENTIOMETER
L.DTCT	: LIGHT DETECTING MODULE	VR.TRIM	: TRIMMER POTENTIOMETER

P.C.B. DSP

Ref No.	Part No.	Description	Remarks	Markets	部 品 名	ランク
*	WN411800	P. C. B.	DSP		P C B D S P	
CB201-202	WC195900	CN. BS. PIN	9P TE FMN		FMNコネクタ	
CB203	VB390100	CN. BS. PIN	5P		ベースピン	01
CB204	WC196200	CN. BS. PIN	12P TE FMN		FMNコネクタ	03
CB205	WC198700	CN. BS. PIN	37P TE FMN		FMNコネクタ	04
CB206	WK415600	CN	24P TE		F F C / F P C コネクタ	03
CB207	WC195700	CN	7P TE		FMNコネクタ	
CB208	WA900700	CN. FMN	7P SE FMN		FMNコネクタ	02
CB601	VB390200	CN. BS. PIN	6P		コネクタベースポスト	01
CB602	VB390600	CN. BS. PIN	10P		コネクタベースポスト	01
CB603	VB390200	CN. BS. PIN	6P		コネクタベースポスト	01
CB604	VB390600	CN. BS. PIN	10P		コネクタベースポスト	01
CB605-606	LB918020	CN. BS. PIN	2P		ベース付ポスト	01
CB607	LB933060	CN. BS. PIN	6P VH SE		ベースポスト	01
C201-202	WE477600	C. EL	100uF 16V		ケミコン	02
C203-206	WD176300	C. CE. CHP	1uF 16V K		チップセラコン	01
C207-208	US135100	C. CE. CHP	0.1uF 16V		チップセラコン	01
C209	US035100	C. CE. CHP	0.1uF 16V B		チップセラコン	01
C210	US044220	C. CE. CHP	0.022uF 25V B		チップセラコン	01
C213	UF017220	C. EL. CHP	22uF 6.3V		チップケミコン	01
C216	US135100	C. CE. CHP	0.1uF 16V		チップセラコン	01
C217-218	WD176300	C. CE. CHP	1uF 16V K		チップセラコン	01
C219	UF017470	C. EL. CHP	47uF 6.3V		チップケミコン	01
C220-221	WE475900	C. EL	560uF 6.3V		ケミコン	02
C222-223	US135100	C. CE. CHP	0.1uF 16V		チップセラコン	01
C224-225	US062100	C. CE. CHP	100pF 50V B		チップセラコン	01
C227	US063100	C. CE. CHP	1000pF 50V B		チップセラコン	01
C228-231	US135100	C. CE. CHP	0.1uF 16V		チップセラコン	01
C232-233	UF018100	C. EL. CHP	100uF 6.3V		チップケミコン	01
C234-235	US060800	C. CE. CHP	8pF 50V B		チップセラコン	01
C236	UF037100	C. EL. CHP	10uF 16V		チップケミコン	01
C237	US126100	C. CE. CHP	1uF 10V		チップセラコン	01
C238-244	US135100	C. CE. CHP	0.1uF 16V		チップセラコン	01
C248-255	US135100	C. CE. CHP	0.1uF 16V		チップセラコン	01
C256	UF017220	C. EL. CHP	22uF 6.3V		チップケミコン	01
C257-259	US135100	C. CE. CHP	0.1uF 16V		チップセラコン	01
C260	US062680	C. CE. CHP	680pF 50V B		チップセラコン	01
C261-274	US135100	C. CE. CHP	0.1uF 16V		チップセラコン	01
C275-278	US061330	C. CE. CHP	33pF 50V B		チップセラコン	01
C279	US135100	C. CE. CHP	0.1uF 16V		チップセラコン	01
C280	UF017220	C. EL. CHP	22uF 6.3V		チップケミコン	01
C281	US135100	C. CE. CHP	0.1uF 16V		チップセラコン	01
C282	UF017220	C. EL. CHP	22uF 6.3V		チップケミコン	01
C283	US135100	C. CE. CHP	0.1uF 16V		チップセラコン	01
C284-285	US035100	C. CE. CHP	0.1uF 16V B		チップセラコン	01
C286	UF017470	C. EL. CHP	47uF 6.3V		チップケミコン	01
C287-288	US063100	C. CE. CHP	1000pF 50V B		チップセラコン	01
C289	UF017220	C. EL. CHP	22uF 6.3V		チップケミコン	01
C290	US135100	C. CE. CHP	0.1uF 16V		チップセラコン	01
C291	US035100	C. CE. CHP	0.1uF 16V B		チップセラコン	01
C292-293	US063100	C. CE. CHP	1000pF 50V B		チップセラコン	01
C294	US035100	C. CE. CHP	0.1uF 16V B		チップセラコン	01
C295-296	US135100	C. CE. CHP	0.1uF 16V		チップセラコン	01
C297	US064100	C. CE. CHP	0.01uF 50V B		チップセラコン	01
C298-299	US063100	C. CE. CHP	1000pF 50V B		チップセラコン	01

* New Parts * 新規部品

P.C.B. DSP

Ref No.	Part No.	Description	Remarks	Markets	部 品 名	ランク
C300	UF017220	C. EL. CHP	22uF 6.3V		チップケミコン	01
C301-302	US035100	C. CE. CHP	0.1uF 16V B		チップセラコン	01
C303	US135100	C. CE. CHP	0.1uF 16V		チップセラコン	01
C304-305	UF037100	C. EL. CHP	10uF 16V		チップケミコン	01
C306	US063220	C. CE. CHP	2200pF 50V B		チップセラコン	01
C307	US063100	C. CE. CHP	1000pF 50V B		チップセラコン	01
C308	US063220	C. CE. CHP	2200pF 50V B		チップセラコン	01
C309	US064100	C. CE. CHP	0.01uF 50V B		チップセラコン	01
C310-311	US126100	C. CE. CHP	1uF 10V		チップセラコン	01
C312	US061330	C. CE. CHP	33pF 50V B		チップセラコン	01
C313	US135100	C. CE. CHP	0.1uF 16V		チップセラコン	01
C314-316	US064100	C. CE. CHP	0.01uF 50V B		チップセラコン	01
C318-319	US135100	C. CE. CHP	0.1uF 16V		チップセラコン	01
C320	UF017220	C. EL. CHP	22uF 6.3V		チップケミコン	01
C321-323	US135100	C. CE. CHP	0.1uF 16V		チップセラコン	01
C324	UF037100	C. EL. CHP	10uF 16V		チップケミコン	01
C325	UF018100	C. EL. CHP	100uF 6.3V		チップケミコン	01
C326	UF037220	C. EL. CHP	22uF 16V		チップケミコン	01
C327	UF017470	C. EL. CHP	47uF 6.3V		チップケミコン	01
C328-345	US135100	C. CE. CHP	0.1uF 16V		チップセラコン	01
C348-350	US135100	C. CE. CHP	0.1uF 16V		チップセラコン	01
C353	US135100	C. CE. CHP	0.1uF 16V		チップセラコン	01
C355	US064100	C. CE. CHP	0.01uF 50V B		チップセラコン	01
C601	UF017470	C. EL. CHP	47uF 6.3V		チップケミコン	01
C602	US126100	C. CE. CHP	1uF 10V		チップセラコン	01
C604-606	WE773800	C. CE. M. CHP	1uF 10V B		チップ積層セラコン	01
C607-608	US135100	C. CE. CHP	0.1uF 16V		チップセラコン	01
C611	US126100	C. CE. CHP	1uF 10V		チップセラコン	01
C612-613	US135100	C. CE. CHP	0.1uF 16V		チップセラコン	01
C614	WE773800	C. CE. M. CHP	1uF 10V B		チップ積層セラコン	01
C615	US135100	C. CE. CHP	0.1uF 16V		チップセラコン	01
C616	WE773800	C. CE. M. CHP	1uF 10V B		チップ積層セラコン	01
C617-619	US135100	C. CE. CHP	0.1uF 16V		チップセラコン	01
C622	US135100	C. CE. CHP	0.1uF 16V		チップセラコン	01
C623	US126100	C. CE. CHP	1uF 10V		チップセラコン	01
C624	US135100	C. CE. CHP	0.1uF 16V		チップセラコン	01
C625-627	WE773800	C. CE. M. CHP	1uF 10V B		チップ積層セラコン	01
C628	US135100	C. CE. CHP	0.1uF 16V		チップセラコン	01
C629-630	US060800	C. CE. CHP	8pF 50V B		チップセラコン	01
C631	US126100	C. CE. CHP	1uF 10V		チップセラコン	01
C632	UF017470	C. EL. CHP	47uF 6.3V		チップケミコン	01
C633	V9451100	C. EL. CHP	47uF 6.3V		チップOSケミコン	02
C634-635	UF037100	C. EL. CHP	10uF 16V		チップケミコン	01
C638-639	UF066100	C. EL. CHP	1uF 50V		チップケミコン	01
C640	US126100	C. CE. CHP	1uF 10V		チップセラコン	01
C641	WG251600	C. CE. CHP	4.7uF 6.3V		チップセラコン	01
C642-644	WE773800	C. CE. M. CHP	1uF 10V B		チップ積層セラコン	01
C645-646	US135100	C. CE. CHP	0.1uF 16V		チップセラコン	01
C649	US126100	C. CE. CHP	1uF 10V		チップセラコン	01
C650-651	US135100	C. CE. CHP	0.1uF 16V		チップセラコン	01
C655	WE773800	C. CE. M. CHP	1uF 10V B		チップ積層セラコン	01
C658	US135100	C. CE. CHP	0.1uF 16V		チップセラコン	01
C659	WE773800	C. CE. M. CHP	1uF 10V B		チップ積層セラコン	01
C662	US135100	C. CE. CHP	0.1uF 16V		チップセラコン	01
C663	US126100	C. CE. CHP	1uF 10V		チップセラコン	01

* New Parts * 新規部品

P.C.B. DSP and P.C.B. INPUT

Ref No.	Part No.	Description	Remarks	Markets	部 品 名	ランク	
C666	US135100	C. CE. CHP	0.1uF 16V		チップセラコン	01	
C667-669	WE773800	C. CE. M. CHP	1uF 10V B		チップ積層セラコン	01	
C670	US135100	C. CE. CHP	0.1uF 16V		チップセラコン	01	
C672-674	US126100	C. CE. CHP	1uF 10V		チップセラコン	01	
C675	UF017470	C. EL. CHP	47uF 6.3V		チップケミコン	01	
C676	V9451100	C. EL. CHP	47uF 6.3V		チップOSケミコン	02	
C677	WE475900	C. EL.	560uF 6.3V		ケミコン	02	
C678	WE477600	C. EL.	100uF 16V		ケミコン	02	
C681-685	US135100	C. CE. CHP	0.1uF 16V		チップセラコン	01	
C689-708	US135100	C. CE. CHP	0.1uF 16V		チップセラコン	01	
C709	UF017220	C. EL. CHP	22uF 6.3V		チップケミコン	01	
C710	US135100	C. CE. CHP	0.1uF 16V		チップセラコン	01	
C711	US064100	C. CE. CHP	0.01uF 50V B		チップセラコン	01	
C712	UF017220	C. EL. CHP	22uF 6.3V		チップケミコン	01	
C713-714	US135100	C. CE. CHP	0.1uF 16V		チップセラコン	01	
C715	UF017220	C. EL. CHP	22uF 6.3V		チップケミコン	01	
C716	US135100	C. CE. CHP	0.1uF 16V		チップセラコン	01	
C717	UF017220	C. EL. CHP	22uF 6.3V		チップケミコン	01	
C751	US135100	C. CE. CHP	0.1uF 16V		チップセラコン	01	
C752-753	WD176300	C. CE. CHP	1uF 16V K		チップセラコン	01	
C755-756	US135100	C. CE. CHP	0.1uF 16V		チップセラコン	01	
C771-774	WD176300	C. CE. CHP	1uF 16V K		チップセラコン	01	
D201-202	V6267600	DIODE	RB051L-40		ダイオード	01	
D203-206	WB081800	DIODE. SHOT	SB01-050		ショットキーダイオード		
D210-214	VV220700	DIODE. SHOT	RB501V-40		ショットキーダイオード	01	
D601-608	VT332900	DIODE	1SS355		ダイオード	01	
D609	VU992600	DIODE. ZENR	MA8051-M 5.1V		ツェナーダイオード	01	
IC201-202	X5172A00	IC	PQ1CZ41H2Z		電源IC	05	
IC203	X7746A00	IC	LC89057W-VF4AD-E		IC	07	
IC204	XR680A00	IC	TC7SH08FU (TE85L, JF)		ロジックIC	01	
IC208	X7787A00	IC	TC74LCX245FT (EL, K)		ロジックIC	02	
IC209	X6189A00	IC	WM8738		A/Dコンバーター	06	
IC210	X2590B00	IC	W9816G6CH-7 SDRAM		メモリIC 16M	06	
IC211	X8013A00	IC. CPU	M3087BFKBGP CPU	boot only	IC CPU		
IC212	X9334B00	IC	MX29LV400CBTC-70G	written	メモリIC		
IC213	X8653A00	IC	BR25L320F-W EEPROM		メモリIC	04	
IC601-602	X7750A00	IC	YDA141-SZ		IC	07	
IC603	X6071A00	IC	WM8728		D/Aコンバーター	05	
L207	V6246100	C. CHP	NFM3DCC223R1H3L		エミフィル チップ	01	
Q601-603	VV655700	TR. DGT	DTC144EKA		デジタルトランジスタ	01	
Q604	VV556500	TR	2SA1037K Q, R, S		トランジスタ	01	
SW201	VV011000	SW. TACT	SKHLLC		タクトSW	01	
XL201	V3625700	RSNR. CRYST	24.576MHz		水晶振動子	03	
XL202	WF997400	RSNR. CE	20MHz		セラミック振動子	02	
XL601	WH156100	RSNR. CRYST	DSX321G		水晶振動子	03	
*	WN774900	P. C. B.	INPUT	600	J	P C B INPUT	
*	WN775000	P. C. B.	INPUT	600	UC	P C B INPUT	
*	WN775100	P. C. B.	INPUT	600	TABGEFL	P C B INPUT	
*	WN775200	P. C. B.	INPUT	600	K	P C B INPUT	
*	WN775300	P. C. B.	INPUT	600	V	P C B INPUT	
*	WN775900	P. C. B.	INPUT	760	BGEF	P C B INPUT	
CB1	VQ044400	CN. BS. PIN	9P			F F Cコネクタ	01

* New Parts * 新規部品

P.C.B. INPUT

Ref No.	Part No.	Description	Remarks	Markets	部 品 名	ランク
CB3	WE221200	CN. BS. PIN	FMN 37P TE		FMN コネクター	04
CB4	WF633400	CN. BS. PIN	TWG-P 13P		TWG-P ソケット	03
CB7	LB918020	CN. BS. PIN	2P		ベース付ポスト	01
CB8	VB389900	CN. BS. PIN	3P		ベースピン	01
CB501	VG879900	CN. BS. PIN	2P		ベースピン	01
CB502-503	WC050700	CLIP. FUSE	EYF-52BCY		ヒューズクリップ	01
CB504	LB932060	CN. BS. PIN	6P		ベースポスト	01
CB801	VB858500	CN. BS. PIN	6P		ベースピン	01
CB901	VB390000	CN. BS. PIN	4P		ベースピン	01
CB902	V6218000	CN. BS. PIN	FMN 12P TE		F F C コネクター	02
CB903	VB390100	CN. BS. PIN	5P		ベースピン	01
C1	US061220	C. CE. CHP	22pF 50V B		チップセラコン	01
C2	US035100	C. CE. CHP	0.1uF 16V B		チップセラコン	01
C3	UR847220	C. EL	22uF 25V		ケミコン	01
C4	US063100	C. CE. CHP	1000pF 50V B		チップセラコン	01
C5	UR837100	C. EL	10uF 16V		ケミコン	01
C6	UR838100	C. EL	100uF 16V		ケミコン	01
C7	US135100	C. CE. CHP	0.1uF 16V		チップセラコン	01
C8	US063100	C. CE. CHP	1000pF 50V B		チップセラコン	01
C9-10	UR818100	C. EL	100uF 6.3V		ケミコン	01
C11	US062680	C. CE. CHP	680pF 50V B		チップセラコン	01
C12	US035100	C. CE. CHP	0.1uF 16V B		チップセラコン	01
C13	US061150	C. CE. CHP	15pF 50V B		チップセラコン	01
C13-14	US060800	C. CE. CHP	8pF 50V B	JUCKV TABGEFL	チップセラコン	01
C16	US061120	C. CE. CHP	12pF 50V B	JUCKV TABGEFL	チップセラコン	01
C16	US061100	C. CE. CHP	10pF 50V B	JUCKV TABGEFL	チップセラコン	01
C17	UR837100	C. EL	10uF 16V		ケミコン	01
C18	US062100	C. CE. CHP	100pF 50V B		チップセラコン	01
C19	UR837100	C. EL	10uF 16V		ケミコン	01
C20	US061270	C. CE. CHP	27pF 50V B		チップセラコン	01
C21-27	US064100	C. CE. CHP	0.01uF 50V B		チップセラコン	01
C28	US062100	C. CE. CHP	100pF 50V B		チップセラコン	01
C29	US064100	C. CE. CHP	0.01uF 50V B		チップセラコン	01
C30-33	US062470	C. CE. CHP	470pF 50V B		チップセラコン	01
C34-37	UR837100	C. EL	10uF 16V		ケミコン	01
C38	US064100	C. CE. CHP	0.01uF 50V B		チップセラコン	01
C39	UR837470	C. EL	47uF 16V		ケミコン	01
C40	UR829100	C. EL	1000uF 10V		ケミコン	01
C41	US064100	C. CE. CHP	0.01uF 50V B		チップセラコン	01
C42	UR837470	C. EL	47uF 16V		ケミコン	01
C43	UR837220	C. EL	22uF 16V		ケミコン	01
C44	UR838100	C. EL	100uF 16V		ケミコン	01
C45-46	US061100	C. CE. CHP	10pF 50V B		チップセラコン	01
C47-50	US035100	C. CE. CHP	0.1uF 16V B		チップセラコン	01
C51-52	UR837100	C. EL	10uF 16V		ケミコン	01
C53	US035100	C. CE. CHP	0.1uF 16V B		チップセラコン	01
C54	US064100	C. CE. CHP	0.01uF 50V B		チップセラコン	01
C55	UR838100	C. EL	100uF 16V		ケミコン	01
C56-58	US062220	C. CE. CHP	220pF 50V B		チップセラコン	01
C59	UR838330	C. EL	330uF 16V		ケミコン	01
C60	US064100	C. CE. CHP	0.01uF 50V B		チップセラコン	01
C61	UR839100	C. EL	1000uF 16V		ケミコン	01
C62-63	US035100	C. CE. CHP	0.1uF 16V B		チップセラコン	01
C64	WG218100	C. EL	100uF 16V		ケミコン	01
C65-66	US065100	C. CE. CHP	0.1uF 50V B		チップセラコン	01

* New Parts * 新規部品

P.C.B. INPUT

Ref No.	Part No.	Description	Remarks	Markets	部 品 名	ラング
C67	WG218100	C.EL	100uF 16V		ケミコン	
C69	US065100	C.CE. CHP	0.1uF 50V B		チップセラコン	01
C70	US064100	C.CE. CHP	0.01uF 50V B		チップセラコン	01
C71	US062220	C.CE. CHP	220pF 50V B		チップセラコン	01
C72	US135100	C.CE. CHP	0.1uF 16V		チップセラコン	01
C74	WG218000	C.EL	100uF 35V		ケミコン	
C75-76	WG218100	C.EL	100uF 16V		ケミコン	
C81	WG218100	C.EL	100uF 16V		ケミコン	
C82-83	US065100	C.CE. CHP	0.1uF 50V B		チップセラコン	01
C84	WG218100	C.EL	100uF 16V		ケミコン	
C502	WF203300	C.EL	3300uF 16V		ケミコン	02
C503	V6185300	C.CE. SAFTY	0.01uF 275V		規格認定コンデンサ	01
C504	WE468500	C.CE. SAFTY	0.22uF 275V		規格認定コンデンサ	01
C505	WB696300	C.POL. MTL	0.1uF 400V	JUCV	メタライズドポリコン	
C505	WD257600	C.PP	0.047uF 800V	TKABGEFL	P Pコン	
C506-507	WH035900	C.CE. SAFTY	1000pF 250V		規格認定コンデンサ	01
C510	UA653470	C.MYLAR	4700pF 50V J		マイラーコン	01
C513	UR866100	C.EL	1uF 50V		ケミコン	01
C515	WB687100	C.POL. MTL	0.047uF 400V	JUCV	メタライズドポリコン	01
C515	WC041600	C.POL. MTL	0.022uF 630V	TKABGEFL	メタライズドポリコン	01
C516	WE468500	C.CE. SAFTY	0.22uF 275V		規格認定コンデンサ	01
C517	US063100	C.CE. CHP	1000pF 50V B		チップセラコン	01
C518	UA654100	C.MYLAR	0.01uF 50V J		マイラーコン	01
C519	UR866220	C.EL	2.2uF 50V		ケミコン	01
C520-521	VZ243300	C.CE. CHP	0.22uF 16V		チップセラコン	01
C522	UR866220	C.EL	2.2uF 50V		ケミコン	01
C523	WF411500	C.EL	820uF 200V	JUCV	ケミコン	07
C523	WF709700	C.EL	220uF 400V	TKABGEFL	ケミコン	
C524	WG501000	C.EL	10uF 50V		ケミコン V Z	01
C525-526	US065100	C.CE. CHP	0.1uF 50V B		チップセラコン	01
C527	V4749000	C.EL	150uF 6.3V		ケミコン	
C528	V6146600	C.CE. SAFTY	2200pF 250V	JTKABGEFLV	規格認定コンデンサ	
C528	VY675100	C.CE. SAFTY	4700pF 250V	UC	規格認定コンデンサ	01
C529	UR819100	C.EL	1000uF 6.3V		ケミコン	01
C530	V6146600	C.CE. SAFTY	2200pF 250V	TKABGEFLV	規格認定コンデンサ	
C530	VY675100	C.CE. SAFTY	4700pF 250V	UC	規格認定コンデンサ	01
C531	UR818470	C.EL	470uF 6.3V		ケミコン	01
C533	WG282600	C.EL	8200uF 6.3V		ケミコン	04
C534	WG333900	C.EL	2700uF 16V		ケミコン	03
C535	WG547600	C.EL	100uF 50V		ケミコン	01
C539	US035100	C.CE. CHP	0.1uF 16V B		チップセラコン	01
C544-545	UA654100	C.MYLAR	0.01uF 50V J		マイラーコン	01
C547	UA654100	C.MYLAR	0.01uF 50V J		マイラーコン	01
C549	UR866470	C.EL	4.7uF 50V		ケミコン	01
C550	UR867100	C.EL	10uF 50V		ケミコン	01
C551	WG501000	C.EL	10uF 50V		ケミコン V Z	01
C552-553	WG218000	C.EL	100uF 35V		ケミコン	
C554-555	US065100	C.CE. CHP	0.1uF 50V B		チップセラコン	01
C556	WG218100	C.EL	100uF 16V		ケミコン	
C558	VZ281900	C.CE. CHP	0.47uF 16V K		チップセラ	01
C559	VR168300	C.MYLAR	0.1uF 50V		マイラーコン	01
C801	UM397220	C.EL	22uF 25V		ケミコン	01
C805	US061330	C.CE. CHP	33pF 50V B		チップセラコン	01
C807	UM387470	C.EL	47uF 16V		ケミコン	01
C809	US062100	C.CE. CHP	100pF 50V B		チップセラコン	01

* New Parts * 新規部品

P.C.B. INPUT

Ref No.	Part No.	Description	Remarks	Markets	部 品 名	ランク
C811	UM397100	C. EL	10uF 16V		ケミコン	01
C813	US064100	C. CE. CHP	0.01uF 50V B		チップセラコン	01
C815	US063100	C. CE. CHP	1000pF 50V B		チップセラコン	01
C817-818	UM397220	C. EL	22uF 25V		ケミコン	01
C819	US064100	C. CE. CHP	0.01uF 50V B		チップセラコン	01
C901-903	US035100	C. CE. CHP	0.1uF 16V B		チップセラコン	01
C904	US062100	C. CE. CHP	100pF 50V B		チップセラコン	01
C905	UR818330	C. EL	330uF 6.3V		ケミコン	01
C906	US035100	C. CE. CHP	0.1uF 16V B		チップセラコン	01
C907	US064100	C. CE. CHP	0.01uF 50V B		チップセラコン	01
C908-909	US035100	C. CE. CHP	0.1uF 16V B		チップセラコン	01
C910	UR867100	C. EL	10uF 50V		ケミコン	01
C911	US065100	C. CE. CHP	0.1uF 50V B		チップセラコン	01
C912-913	UR857220	C. EL	22uF 35V		ケミコン	01
C914	UR837220	C. EL	22uF 16V		ケミコン	01
C915	US061220	C. CE. CHP	22pF 50V B		チップセラコン	01
C916	UR818100	C. EL	100uF 6.3V		ケミコン	01
C917	UR857470	C. EL	47uF 35V		ケミコン	01
C918	US065100	C. CE. CHP	0.1uF 50V B		チップセラコン	01
D1	VU995800	DIODE. ZENR	MA8110-M 11V		ツェナーダイオード	
D2-5	VU991000	DIODE. ZENR	MA8036 3.6V		ツェナーダイオード	01
D6	VV307700	DIODE	1N4002S		ダイオード	01
D8-10	VT332900	DIODE	1SS355		ダイオード	01
D501	VR253700	DIODE. BRG	S1NB20 1A 200V		ダイオードブリッジ	02
D502	VT332900	DIODE	1SS355		ダイオード	01
D503	V4756800	DIODE. BRG	S1NB60 1A 600V		ダイオードブリッジ	01
D504	VU995000	DIODE. ZENR	MA8091-M 9.1V		ツェナーダイオード	
D507	VT332900	DIODE	1SS355		ダイオード	01
D508	VU995400	DIODE. ZENR	MA8100-M 10V		ツェナーダイオード	
D509	VU993800	DIODE. ZENR	MA8068-M 6.8V		ツェナーダイオード	01
D510	VN011400	DIODE. BRG	D5SB20 5A 200V	JUCV	ダイオードブリッジ	03
D510	VN953300	DIODE. BRG	D5SBA60 5A 600V	TKABGEFL	ダイオードブリッジ	04
D512-514	VT332900	DIODE	1SS355		ダイオード	01
D515	VN478200	DIODE	D1NL20U		ダイオード	01
* D516	WN672400	DIODE. ZENR	P6KE200A 200V	JUCV	ツェナーダイオード	
* D516	WN505700	DIODE. ZENR	P6KE400A 400V	TKABGEFL	ツェナーダイオード	
D517	WJ151900	DIODE	STTH110A		ダイオード	03
D518	VN478200	DIODE	D1NL20U		ダイオード	01
D519-520	VT332900	DIODE	1SS355		ダイオード	01
D521	VV833200	DIODE	1SS380		ダイオード	01
D522	WF564600	DIODE. SHOT	SF30SC3L 30.0A 30V		ショットキーダイオード	05
D523	WF417400	DIODE. SHOT	SF10SC6 10.0A 60V		ショットキーダイオード	04
D524	VN478200	DIODE	D1NL20U		ダイオード	01
D527	VU999200	DIODE. ZENR	MA8240-H 25V		ツェナーダイオード	01
D528	VQ052600	DIODE	AK09V0 90V0.7A TP2		ダイオード	02
D529	VT332900	DIODE	1SS355		ダイオード	01
D530	VU995500	DIODE. ZENR	MA8100-H 10.3V		ツェナーダイオード	02
D533	VT332900	DIODE	1SS355		ダイオード	01
D536	VU998600	DIODE. ZENR	MA8220-L 21.3V		ツェナーダイオード	
D537	VG443100	DIODE. ZENR	MTZJ27D 27V		ツェナーダイオード	01
D801-802	VT332900	DIODE	1SS355		ダイオード	01
D805-806	VU171900	DIODE. ZENR	UDZ5.1B 5.1V		ツェナーダイオード	01
D901	VU993400	DIODE. ZENR	MA8062-M 6.2V		ツェナーダイオード	01
F501	WG410300	FUSE	4A 125V	JUCV	ヒューズ	01
F501	KB000750	FUSE. MNI	T2A 250V	TKABGEFL	ヒューズ ミニ	01

* New Parts * 新規部品

P.C.B. INPUT

Ref No.	Part No.	Description	Remarks	Markets	部 品 名	ラング
IC1	XD598A00	IC	TC74HCU04AFEL INV		ロジックIC	01
IC2	X5615A00	IC	NJM3404AM-TE1		アンプIC SOP	02
IC4	XG903A00	IC	TC4052BF MPX		IC	03
IC5	X3505A00	IC	NJM2068MD-TE2		アンプIC	02
IC6	X5359A00	IC	MAX3232CDWR		ロジックIC	04
IC7	XZ012A00	IC	TC74HCT08AF(EL)		ロジックIC	01
IC8	X8479A00	IC	MB90050PF-G-118-E1	J	OSDコントローラ	07
IC8	X8480A00	IC	MB90050PF-G-119-E1	UCTKABGEFLV	OSDコントローラ	
IC10	XJ604A00	IC	NJM78M05FA		IC	02
IC11	X7976A00	IC	NJM2388F63		電源IC	
IC12	XJ604A00	IC	NJM78M05FA		IC	02
IC501	V8100500	PHOT. CPL	TLP421 GR		フォトカブラ	01
IC502	iG001180	IC	TC4013BP FF		ロジックIC	05
IC503-504	V8100500	PHOT. CPL	TLP421 GR		フォトカブラ	01
IC505	X7734A00	IC	FA5511N-D1-TE1		電源IC	04
IC506	X6124A00	IC	AN77L04		電源IC	04
IC507	X6770A00	IC	NJM431U(TE1)		電源IC	01
IC510	XJ602A00	IC	NJM78M12FA		IC	02
IC511	V8100500	PHOT. CPL	TLP421 GR		フォトカブラ	01
IC801	X3505A00	IC	NJM2068MD-TE2		アンプIC	02
IC901	X6386A00	IC	M66003-0131FP		IC	07
JK1	WE260000	JACK. MNI	LGY6501-0900FC		モノラルミニジャック	02
JK801	WE260000	JACK. MNI	LGY6501-0900FC		モノラルミニジャック	02
PJ1	V3007700	JACK. PIN	4P		ピンジャック	03
PJ2	V4483900	JACK. PIN	1P YKC21-3895N		ピンジャック	02
PJ3	WG350300	JACK. PIN	2P YKC21-4779N		ピンジャック	03
PN901-905	V8637500	PIN	L=50 #18		スタイルピン	
Q1	VZ725900	TR	2SD1938F S, T		トランジスタ	01
Q2	VV655000	TR. DGT	DTA114EKA		デジタルトランジスタ	01
Q3	VP872700	TR	2SC4488 S, T		トランジスタ	01
Q4-7	VV556400	TR	2SC2412K Q, R, S		トランジスタ	01
Q8-9	VV655700	TR. DGT	DTC144EKA		デジタルトランジスタ	01
Q10	VV655400	TR. DGT	DTC114EKA		デジタルトランジスタ	01
Q11	VV556500	TR	2SA1037K Q, R, S		トランジスタ	01
Q12	VV655400	TR. DGT	DTC114EKA		デジタルトランジスタ	01
Q13	VZ725900	TR	2SD1938F S, T		トランジスタ	01
Q14	WH628700	FET	RSR025P03TL		F E T	
Q15	VV655700	TR. DGT	DTC144EKA		デジタルトランジスタ	01
Q501	WC741200	FET	2SK3850		F E T	03
Q502-503	iC181510	TR	2SC1815 Y		トランジスタ	01
Q504	VV655700	TR. DGT	DTC144EKA		デジタルトランジスタ	01
Q505	WF412500	FET	2SK3683-01MR ST	JUCV	F E T	05
Q505	WF703300	FET	2SK3679-01MR ST	TKABGEFL	F E T	04
Q506	WF764000	TR	2SA2093 Q TP		トランジスタ	02
Q507	VV912400	TR	2SA933ASTP R, S TP		トランジスタ 2 S A	01
Q901-908	VV556400	TR	2SC2412K Q, R, S		トランジスタ	01
Q909	iD040040	TR	2SD400		トランジスタ	02
Q910	iB054430	TR	2SB544 D, E, F, G		トランジスタ	01
Q911	iC181510	TR	2SC1815 Y		トランジスタ	01
R10-11	HV753220	R. CAR. FP	2.2Ω 1/4W		不燃化カーボン抵抗	01
R25	WB784200	R. MTL. FLM	1.5Ω 1W		金属被膜抵抗	
R31	WB784200	R. MTL. FLM	1.5Ω 1W		金属被膜抵抗	
R39	HV755100	R. CAR. FP	100Ω 1/4W		不燃化カーボン抵抗	01
R44	HV756180	R. CAR. FP	1.8KΩ 1/4W		不燃化カーボン抵抗	01
R48	HV753470	R. CAR. FP	4.7Ω 1/4W		不燃化カーボン抵抗	01

* New Parts * 新規部品

P.C.B. INPUT and P.C.B. HDMI

Ref No.	Part No.	Description	Remarks	Markets	部 品 名	ランク	
R52	HV754150	R. CAR. FP	15Ω 1/4W			不燃化カーボン抵抗	01
R62	HV754150	R. CAR. FP	15Ω 1/4W			不燃化カーボン抵抗	01
R70	HV754180	R. CAR. FP	18Ω 1/4W			不燃化カーボン抵抗	01
R74	RD357390	R. CHP	39KΩ 1/16W J	600	UC	チップ抵抗	01
R74	RD357910	R. CHP	91KΩ 1/16W J	600	TABGEFL	チップ抵抗	01
R74	RD357240	R. CHP	24KΩ 1/16W J	600	KV	チップ抵抗	01
R74	RD357150	R. CHP	15KΩ 1/16W J	760	BGEF	チップ抵抗	01
R86	VC755900	R. MTL. OXD	6.8Ω 2W			酸化金属被膜抵抗	01
R97	VC755900	R. MTL. OXD	6.8Ω 2W			酸化金属被膜抵抗	01
R528	WF412300	R. MTL. PLAT	BPR26CF22LK		JUCV	金属板抵抗	03
R528	WF703400	R. MTL. PLAT	BPR26CF47LK		TKABGEFL	金属板抵抗	
R532	VC756300	R. MTL. OXD	10Ω 2W			酸化金属被膜抵抗	01
R540	VC756500	R. MTL. OXD	12Ω 2W			酸化金属被膜抵抗	01
R543	HV755120	R. CAR. FP	120Ω 1/4W			不燃化カーボン抵抗	01
R551	VP940300	R. MTL. OXD	68Ω 1W			酸化金属被膜抵抗	01
R917-918	HV755470	R. CAR. FP	470Ω 1/4W			不燃化カーボン抵抗	01
R919	HV754100	R. CAR. FP	10Ω 1/4W			不燃化カーボン抵抗	01
RY501	WE513800	RELAY	DC HRM3H-DC12V			リレー 12V	03
SW991-994	WD483100	SW. TACT	SKRGAAD010			タクト SW	01
T501	XW605A00	TRANS. PWR			J	電源トランス	04
T501	XW606A00	TRANS. PWR			UCV	電源トランス	04
T501	XW608A00	TRANS. PWR			TKABGEFL	電源トランス	
T502	X6646A00	TRANS. PWR	ST-2754		JUCV	電源トランス	08
T502	X6961A00	TRANS. PWR	ST-2799		TKABGEFL	電源トランス	
TH501	WF544600	POSISTOR	NTPAD5R1LDNBO 5.1		JUCV	サーミスタ	03
TH501	WF129000	POSISTOR	NTPAA100LDNBO 10		TKABGEFL	サーミスタ	03
U1-2	WH169900	CN. PHOTO. R	1P GP1FAV51RK0F			光ファイバー受信器	04
U901	WK721700	L. DTCT	GP1UE291QKVF			リモコン受光ユニット	04
V901	WK515200	FL. DSPLY	15-BT-115GNKF			蛍光表示管	08
XL1	VV949800	RSNR. CRYST	14.31818MHz		JUCKV	水晶振動子	03
XL1	WC044100	RSNR. CRYST	17.734475MHz		TABGEFL	水晶振動子	
	WE983600	SCR. BND. HD	3x8 MFZN2B3			バインド小ネジ	01
	WE774400	SCR. BND. HD	3x8 MFZN2B3			バインドBタイトネジ	01
	WC986900	SHEET	Pink	600		シート/FL	01
	WB552400	SHEET	Blue	760		シート/FL	01
	WP124200	DAMPER				ダンパーFU	
	WK686401	P. C. B.	HDMI			P C B H D M I	
CB1	WH641400	CN. HDMI	19P SE			HDMIコネクタ	03
CB3-4	WH641400	CN. HDMI	19P SE			HDMIコネクタ	03
CB5	VR134300	CN. BS. PIN	6P			ベース付ポスト	01
CB6	WK433700	CN	24P SE			FFC/FPCコネクタ	03
CB7	WA900700	CN. FMN	7P SE FMN			FMNコネクタ	02
C1	WG888300	C. CE. M. CHP	10uF 6.3V			チップ積層セラコン	01
C2-3	US135100	C. CE. CHP	0.1uF 16V			チップセラコン	01
C4-7	US663100	C. CE. CHP	1000pF 50V			チップセラコン	01
C8	WG888300	C. CE. M. CHP	10uF 6.3V			チップ積層セラコン	01
C9-10	US135100	C. CE. CHP	0.1uF 16V			チップセラコン	01
C11	WG888300	C. CE. M. CHP	10uF 6.3V			チップ積層セラコン	01
C12	US663100	C. CE. CHP	1000pF 50V			チップセラコン	01
C13	US135100	C. CE. CHP	0.1uF 16V			チップセラコン	01
C16-17	US663100	C. CE. CHP	1000pF 50V			チップセラコン	01
C21	WG888300	C. CE. M. CHP	10uF 6.3V			チップ積層セラコン	01

*

* New Parts * 新規部品

P.C.B. HDMI

Ref No.	Part No.	Description	Remarks	Markets	部 品 名	ランク
C22	US663100	C. CE. CHP	1000pF 50V		チップセラコン	01
C24	US135100	C. CE. CHP	0.1uF 16V		チップセラコン	01
C28	WG888300	C. CE. M. CHP	10uF 6.3V		チップ積層セラコン	01
C32	US135100	C. CE. CHP	0.1uF 16V		チップセラコン	01
C33-34	US663100	C. CE. CHP	1000pF 50V		チップセラコン	01
C50	US663100	C. CE. CHP	1000pF 50V		チップセラコン	01
C53	US135100	C. CE. CHP	0.1uF 16V		チップセラコン	01
C54-55	US663100	C. CE. CHP	1000pF 50V		チップセラコン	01
C56	WG888300	C. CE. M. CHP	10uF 6.3V		チップ積層セラコン	01
C58	US135100	C. CE. CHP	0.1uF 16V		チップセラコン	01
C61	US135100	C. CE. CHP	0.1uF 16V		チップセラコン	01
C65-66	US135100	C. CE. CHP	0.1uF 16V		チップセラコン	01
C67-68	US663100	C. CE. CHP	1000pF 50V		チップセラコン	01
C113	US126100	C. CE. CHP	1uF 10V		チップセラコン	01
C117-118	US135100	C. CE. CHP	0.1uF 16V		チップセラコン	01
C119	US061150	C. CE. CHP	15pF 50V B		チップセラコン	01
C120	US061120	C. CE. CHP	12pF 50V B		チップセラコン	01
C121	US135100	C. CE. CHP	0.1uF 16V		チップセラコン	01
C127	US135100	C. CE. CHP	0.1uF 16V		チップセラコン	01
C129	WG888300	C. CE. M. CHP	10uF 6.3V		チップ積層セラコン	01
C130	US663100	C. CE. CHP	1000pF 50V		チップセラコン	01
C131-132	US135100	C. CE. CHP	0.1uF 16V		チップセラコン	01
C133-139	US663100	C. CE. CHP	1000pF 50V		チップセラコン	01
C141-144	US135100	C. CE. CHP	0.1uF 16V		チップセラコン	01
C146	US663100	C. CE. CHP	1000pF 50V		チップセラコン	01
C150-154	US663100	C. CE. CHP	1000pF 50V		チップセラコン	01
C155-156	UF037100	C. EL. CHP	10uF 16V		チップケミコン	01
C157-159	US663100	C. CE. CHP	1000pF 50V		チップセラコン	01
C160	WD758300	C. CE. CHP	10uF 10V		チップセラコン	01
C161	UF037100	C. EL. CHP	10uF 16V		チップケミコン	01
C163-164	US663100	C. CE. CHP	1000pF 50V		チップセラコン	01
C165	US634100	C. CE. CHP	0.01uF 16V		チップセラコン	01
C167	US663100	C. CE. CHP	1000pF 50V		チップセラコン	01
C168	US634100	C. CE. CHP	0.01uF 16V		チップセラコン	01
C169	US126100	C. CE. CHP	1uF 10V		チップセラコン	01
C170	US663100	C. CE. CHP	1000pF 50V		チップセラコン	01
C171	WD758300	C. CE. CHP	10uF 10V		チップセラコン	01
C173	US663100	C. CE. CHP	1000pF 50V		チップセラコン	01
C174	UF037100	C. EL. CHP	10uF 16V		チップケミコン	01
C175-177	US663100	C. CE. CHP	1000pF 50V		チップセラコン	01
C178-180	US135100	C. CE. CHP	0.1uF 16V		チップセラコン	01
C181	UF037470	C. EL. CHP	47uF 16V		チップケミコン	01
C182	WG888300	C. CE. M. CHP	10uF 6.3V		チップ積層セラコン	01
C183	US135100	C. CE. CHP	0.1uF 16V		チップセラコン	01
C184-186	US663100	C. CE. CHP	1000pF 50V		チップセラコン	01
C187-188	US135100	C. CE. CHP	0.1uF 16V		チップセラコン	01
C189-190	US663100	C. CE. CHP	1000pF 50V		チップセラコン	01
C191	US135100	C. CE. CHP	0.1uF 16V		チップセラコン	01
C197-198	WG888300	C. CE. M. CHP	10uF 6.3V		チップ積層セラコン	01
C199	US634100	C. CE. CHP	0.01uF 16V		チップセラコン	01
C201-202	US135100	C. CE. CHP	0.1uF 16V		チップセラコン	01
C203	US126100	C. CE. CHP	1uF 10V		チップセラコン	01
C204	US634100	C. CE. CHP	0.01uF 16V		チップセラコン	01
C205	US126100	C. CE. CHP	1uF 10V		チップセラコン	01
C207-209	US135100	C. CE. CHP	0.1uF 16V		チップセラコン	01

* New Parts * 新規部品

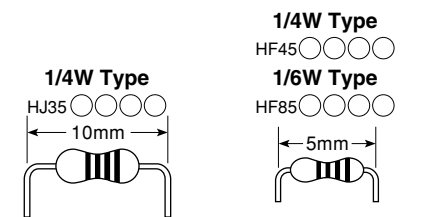
P.C.B. HDMI

Ref No.	Part No.	Description	Remarks	Markets	部 品 名	ランク
C211-212	US135100	C. CE. CHP	0.1uF 16V		チップセラコン	01
C213	US634100	C. CE. CHP	0.01uF 16V		チップセラコン	01
C214	US135100	C. CE. CHP	0.1uF 16V		チップセラコン	01
C216	US634100	C. CE. CHP	0.01uF 16V		チップセラコン	01
D9-11	WE674800	DIODE	AVRL161A1R1NTB		チップバリスタ	01
D13	VT332900	DIODE	1SS355		ダイオード	01
D19-22	WH641900	ESD	PESD0603-140		ポリマーESD	01
D23	VT332900	DIODE	1SS355		ダイオード	01
D24-27	WH641900	ESD	PESD0603-140		ポリマーESD	01
D28-29	VT332900	DIODE	1SS355		ダイオード	01
D31	VT332900	DIODE	1SS355		ダイオード	01
D33-40	WH641900	ESD	PESD0603-140		ポリマーESD	01
D41	WE674800	DIODE	AVRL161A1R1NTB		チップバリスタ	01
D46-49	WE674800	DIODE	AVRL161A1R1NTB		チップバリスタ	01
D50	WJ871600	DIODE. SHOT	KDR357-RTK/P		ショットキーダイオード	01
F1	V2997600	SW. POLY	SMDC050-02		ポリスイッチ	01
IC6	X9055A00	IC	NJU7754F05		電源IC	03
IC8	X3292A00	IC	SN74LV244APWR		ロジックIC	01
IC10	X8887A00	IC	TB7102F		電源IC	04
IC11	X3402A00	IC	P0033EZ01ZP 3.3V		電源IC	03
IC14	X8144A00	IC	SN74CBT3257CPWR		ロジックIC	04
IC15	X8294A00	IC	M24C02-WDW6TP		メモリIC	03
IC16	X9370D00	IC. CPU	MN103SFD7GYAC CPU	written	IC CPU	
IC19	X8294A00	IC	M24C02-WDW6TP		メモリIC	03
IC20	X8144A00	IC	SN74CBT3257CPWR		ロジックIC	04
Q2	WE834500	FET	UPA672T-T1-A		FET	01
Q3-9	VY677600	TR. DGT	DTC123JKA TP		デジタルトランジスタ	01
Q11	VY677600	TR. DGT	DTC123JKA TP		デジタルトランジスタ	01
XL2	WH625000	RSNR. CRYST	27MHz		水晶振動子	03
XL3	WM227900	RSNR. CE	10MHz		セラミック振動子	03

* New Parts * 新規部品

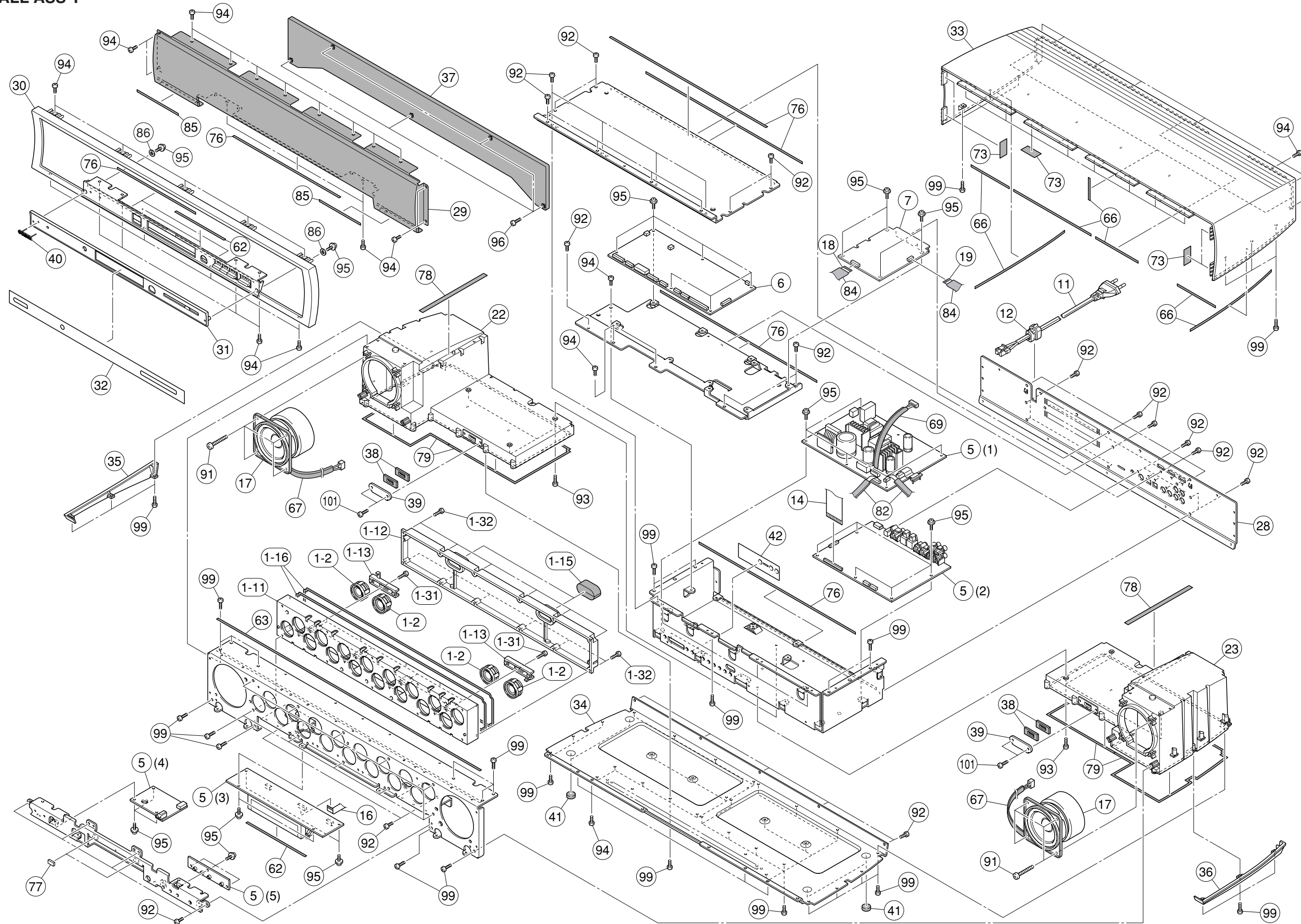
Carbon Resistors

Value	1/4W Type Part No.	1/6W Type Part No.	Value	1/4W Type Part No.	1/6W Type Part No.
1.0 Ω	HJ35 3100	HF85 3100	10 kΩ	HF45 7100	HF45 7100
1.8 Ω	HJ35 3180	*	11 kΩ	HF45 7110	HF45 7110
2.2 Ω	HJ35 3220	HF85 3220	12 kΩ	HJ35 7120	HF85 7120
3.3 Ω	HJ35 3330	HF85 3330	13 kΩ	HF45 7130	HF45 7130
4.7 Ω	HJ35 3470	HF85 3470	15 kΩ	HF45 7150	HF45 7150
5.6 Ω	HJ35 3560	HF85 3560	18 kΩ	HF45 7180	HF45 7180
10 Ω	HF45 4100	HF45 4100	22 kΩ	HF45 7220	HF45 7220
15 Ω	HJ35 4150	HF85 4150	24 kΩ	HF45 7240	HF45 7240
22 Ω	HF45 4220	HF45 4220	27 kΩ	HJ35 7270	HF85 7270
27 Ω	HJ35 4270	HF85 4270	30 kΩ	HF45 7300	HF45 7300
33 Ω	HF45 4330	HF45 4330	33 kΩ	HF45 7330	HF45 7330
39 Ω	HJ35 4470	HF85 4390	36 kΩ	HF45 7360	HF45 7360
47 Ω	HF45 4470	HF45 4470	39 kΩ	HF45 7390	HF45 7390
56 Ω	HF45 4560	HF45 4560	47 kΩ	HF45 7470	HF45 7470
68 Ω	HF45 4680	HF45 4680	51 kΩ	HF45 7510	HF45 7510
75 Ω	HF45 4750	HF45 4750	56 kΩ	HF45 7560	HF45 7560
82 Ω	HF45 4820	HF45 4820	62 kΩ	HF45 7620	HF45 7620
91 Ω	HF45 4910	HF45 4910	68 kΩ	HF45 7680	HF45 7680
100 Ω	HF45 5100	HF45 5100	82 kΩ	HF45 7820	HF45 7820
110 Ω	HJ35 5110	HF85 5110	91 kΩ	HF45 7910	HF45 7910
120 Ω	HF45 5120	HF45 5120	100 kΩ	HF45 8100	HF45 8100
150 Ω	HF45 5150	HF45 5150	110 kΩ	HF45 8110	HF45 8110
160 Ω	HJ35 5160	*	120 kΩ	HF45 8120	HF45 8120
180 Ω	HF45 5180	HF45 5180	150 kΩ	HF45 8150	HF45 8150
200 Ω	HF45 5200	HF45 5200	180 kΩ	HF45 8180	HF45 8180
220 Ω	HF45 5220	HF45 5220	220 kΩ	HJ35 8220	HF85 8220
270 Ω	HF45 5270	HF45 5270	270 kΩ	HF45 8270	HF45 8270
330 Ω	HF45 5330	HF45 5330	300 kΩ	HF45 8300	HF45 8300
390 Ω	HF45 5390	HF45 5390	330 kΩ	HF45 8330	HF45 8330
430 Ω	HF45 5430	HF45 5430	390 kΩ	HJ35 8390	HF85 8390
470 Ω	HF45 5470	HF45 5470	470 kΩ	HF45 8470	HF45 8470
510 Ω	HF45 5510	HF45 5510	560 kΩ	HJ35 8560	HF85 8560
560 Ω	HF45 5560	HF45 5560	680 kΩ	HJ35 8680	HF85 8680
680 Ω	HF45 5680	HF45 5680	820 kΩ	HJ35 8820	HF85 8820
820 Ω	HF45 5820	HF45 5820	1.0 MΩ	HF45 9100	HF45 9100
910 Ω	HF45 5910	HF45 5910	1.2 MΩ	HJ35 9120	*
1.0 kΩ	HF45 6100	HF45 6100	1.5 MΩ	HJ35 9150	HF85 9150
1.2 kΩ	HF45 6120	HF45 6120	1.8 MΩ	HJ35 9180	HF85 9180
1.5 kΩ	HF45 6150	HF45 6150	2.2 MΩ	HJ35 9220	HF85 9220
1.8 kΩ	HF45 6180	HF45 6180	3.3 MΩ	HJ35 9330	HF85 9330
2.0 kΩ	HJ35 6200	HF85 6200	3.9 MΩ	HJ35 9390	*
2.2 kΩ	HF45 6220	HF45 6220	4.7 MΩ	HJ35 9470	HF85 9470
2.4 kΩ	HJ35 6240	HF85 6240			
2.7 kΩ	HF45 6270	HF45 6270			
3.0 kΩ	HF45 6300	HF45 6300			
3.3 kΩ	HF45 6330	HF45 6330			
3.6 kΩ	HJ35 6360	HF85 6360			
3.9 kΩ	HF45 6390	HF45 6390			
4.7 kΩ	HF45 6470	HF45 6470			
5.1 kΩ	HF45 6510	HF45 6510			
5.6 kΩ	HF45 6560	HF45 6560			
6.8 kΩ	HF45 6680	HF45 6680			
8.2 kΩ	HF45 6820	HF45 6820			
9.1 kΩ	HF45 6910	HF45 6910			



* : Not available

• OVERALL ASS'Y



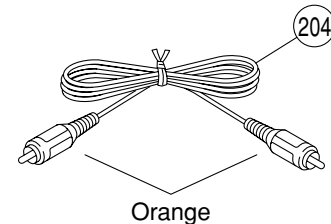
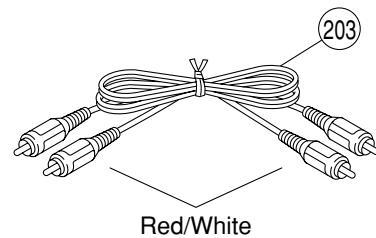
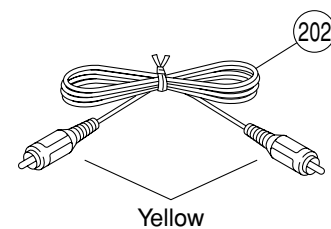
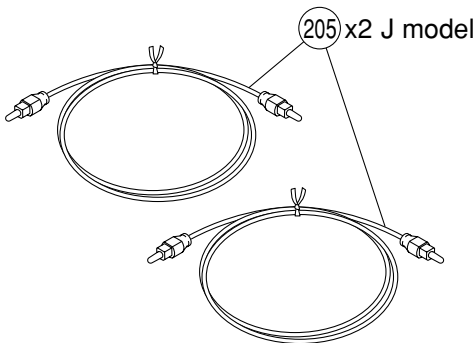
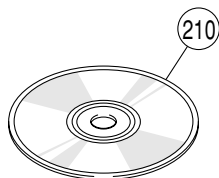
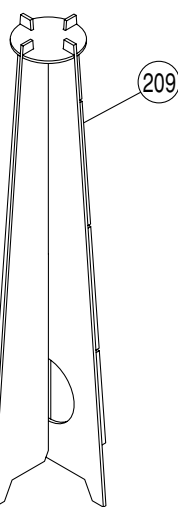
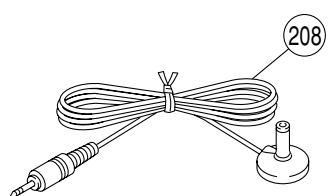
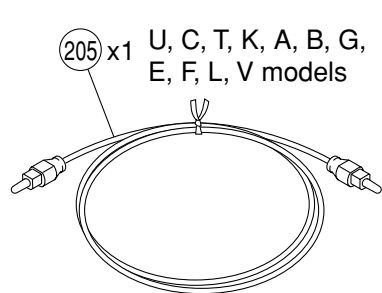
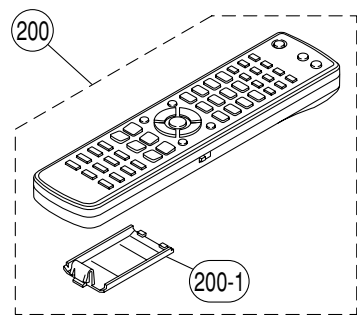
Ref No.	Part No.	Description	Remarks	Markets	部 品 名	ランク		
1-2	AAx88060	DRIVER TWEETER	3cm 4Ω	CS028019-01	J	スピーカーユニット		
1-2	AAx88070	DRIVER TWEETER	3cm 4Ω	CS028019-02	UCTKABGEFLV	スピーカーユニット		
1-11	WK829500	CABINET A-F				キャビネットA-F	05	
1-12	WK829600	CABINET A-B				キャビネットA-B	07	
1-13	WK912400	SUPPORT SPEAKER				サポート SP	01	
1-15	WE236900	PAD L				パッド/L	01	
1-16	WE203200	PACKING				パッキン A	01	
1-31	WF268000	BIND HEAD P-TIGHT SCREW	3x10 MFZN2B3			バインドPタイトネジ	01	
1-32	WF507300	BIND HEAD P-TIGHT SCREW	3x12 MFZN2B3			バインドPタイトネジ	01	
*	5	WN774900	P.C.B. ASS'Y	INPUT	600	J	PCB INPUT	
*	5	WN775000	P.C.B. ASS'Y	INPUT	600	UC	PCB INPUT	
*	5	WN775100	P.C.B. ASS'Y	INPUT	600	TABGEFL	PCB INPUT	
*	5	WN775200	P.C.B. ASS'Y	INPUT	600	K	PCB INPUT	
*	5	WN775300	P.C.B. ASS'Y	INPUT	600	V	PCB INPUT	
*	5	WN775900	P.C.B. ASS'Y	INPUT	760	BGEF	PCB INPUT	
*	6	WN411800	P.C.B. ASS'Y	DSP			PCB DSP	
*	7	WK686401	P.C.B. ASS'Y	HDMI			PCB HDMI	
▲	11	WF723000	POWER CABLE	2m		J	電源コード	05
▲	11	WB120500	POWER CABLE	2m		UC	電源コード	
▲	11	WB120600	POWER CABLE	2m		T	電源コード	
▲	11	WC753000	POWER CABLE	2m		K	電源コード	
▲	11	WC743700	POWER CABLE	2m		A	電源コード	
▲	11	WB212200	POWER CABLE	2m		B	電源コード	
▲	11	WB212300	POWER CABLE	2m		GEFL	電源コード	
▲	11	WC992700	POWER CABLE	2m		V	電源コード	
	12	V2438700	CORD STOPPER	10P1			コードストッパー	02
	14	MFA37080	FLEXIBLE FLAT CABLE	37P 80mm P=1.0			カード電線	02
	16	MFA12160	FLEXIBLE FLAT CABLE	12P 160mm P=1.0			カード電線	01
	17	X9236A00	DRIVER WOOFER	8cm 4Ω			スピーカーユニット	08
	18	WN785600	FLEXIBLE FLAT CABLE	24P 120mm P=0.5			カード電線	
*	19	MFA07200	FLEXIBLE FLAT CABLE	7P 200mm P=1.0			カード電線	
	22	WK829300	CABINET WL				キャビネットWL	07
	23	WK829400	CABINET WR				キャビネットWR	07
*	28	WK813000	REAR PANEL			J	リアパネル	
*	28	WK813100	REAR PANEL			UCTKABGEFLV	リアパネル	
	29	WK826100	GRILLE FRONT				グリルフロント	09
*	30	WN571100	FRONT PANEL	Black	600	J	フロントパネル	
*	30	WN571200	FRONT PANEL	Black	600	UCTKABGEFLV	フロントパネル	
*	30	WN571300	FRONT PANEL	Silver	760		フロントパネル	
*	31	WP123300	ESCUTCHEON W		600		エスカッション W	
*	31	WN633500	ESCUTCHEON W		760		エスカッション W	
*	32	WK828700	WINDOW PANEL LID		600		ウインドウパネルLID	04
*	32	WN633600	WINDOW PANEL LID		760		ウインドウパネルLID	
*	33	WN592800	TOP COVER				トップカバー	
	34	WK824200	BOTTOM COVER				ボトムカバー	
	35	WK827700	PANEL SIDE L				パネルサイドL	
	36	WK827900	PANEL SIDE R				パネルサイドR	
	37	WK841900	GRILL NET ASS'Y				グリルネットASSY	07
	38	WJ316600	DAMPER STOPPER				ダンパーストッパー	01
	39	WJ316900	STOPPER WIRE				ストッパーワイヤ	01
	40	V6034100	EMBLEM				エンブレム	03
	41	WG246400	LEG T5				レッグ T5	01
	42	WN060900	SHEET POWER				シート POWER	01
	62	WE235600	PACKING D				パッキン D	01
	63	WJ317400	PACKING WOOFER	4x580x1			パッキン ウーファー	01

* New Parts * 新規部品

Ref No.	Part No.	Description	Remarks	Markets	部 品 名	ランク	
66	WG125300	PACKING	4x465 t=1			パッキン	01
*	67	WN325100	PACKING	500x30x1		パッキン	
	69	WF885400	PACKING	90x30 t=1		パッキン	01
	73	WM239200	INSULATOR	15x30x0.5		インシュレータ	
	76	WG125200	PACKING	4x345 t=1		パッキン	01
	77	WN146700	SPACER FRONT	5x10x2.5		スペーサー フロント	
	78	WK570100	PACKING	8x355x1		パッキン	01
	79	WE993900	CUSHION	520x4 t=1		クッション	01
	82	WM261600	PACKING	162x28		パッキン	01
	84	WM460600	PACKING	180x30x1		パッキン	01
	85	WE203300	PACKING	140x4x1		パッキン B	01
*	86	WP123700	PACKING SCREW	D12/2 t=1		パッキングスクリュー	
	91	WK912600	BIND HEAD P-TIGHT SCREW	4x20 MFZN2B3		バインドPタイトネジ	01
	92	WE774100	BIND HEAD BONDING B-T. SCREW	3x8 MFZN2B3		ボンディングBタイトネジ	01
	93	WE774200	BIND HEAD B-TIGHT SCREW	3x10 MFZN2W3		バインドBタイトネジ	01
	94	WE774400	BIND HEAD B-TIGHT SCREW	3x8 MFZN2B3		バインドBタイトネジ	01
	95	WF002600	PW HEAD B-TIGHT SCREW	3x8 MFZN2W3		PWヘッドBタイトネジ	01
	96	WE998100	BIND HEAD B-TIGHT SCREW	3x12 MFZN2B3		バインドBタイトネジ	01
	99	WF268000	BIND HEAD P-TIGHT SCREW	3x10 MFZN2B3		バインドPタイトネジ	01
	101	WF507300	BIND HEAD P-TIGHT SCREW	3x12 MFZN2B3		バインドPタイトネジ	01

* New Parts * 新規部品

• ACCESSORIES



Ref No.	Part No.	Description	Remarks	Markets	部品名	ランク	
*	200	WN574600	REMOTE CONTROL	RRC4001-2921EM	J	リモコン	
*	200	WN767300	REMOTE CONTROL	RRC4001-2923EM	U	リモコン	
*	200	WN574800	REMOTE CONTROL	RRC4001-2922EM	CTKABGEFLV	リモコン	
	200-1	AAX57560	BATTERY COVER	103RRS-141-07L		電池蓋	04
	202	WG299500	VIDEO PIN CABLE	1P 1.5m YE		ビデオ用ピンケーブル	04
	203	WG290200	AUDIO PIN CABLE	2P 1.5m RE/WH		ステレオピンケーブル	04
	204	WG299600	DIGITAL AUDIO PIN CABLE	1P 1.5m OR	UCTKABGEFLV	デジタル音声ピンケーブル	04
	205	WE818100	OPTICAL CABLE	1.5m		光ファイバーケーブル	06
	208	WB699600	INTELLIBEAM MICROPHONE	6m 1pc		インテリビームマイク	09
	209	WG225700	CARDBOARD MICROPHONE STAND	1pc		簡易マイクスタンド	04
	210	X9057A00	DVD-ROM	DEMO DISC	J	DVD-ROM	05
	210	X9280A00	DVD-ROM	DEMO DISC	UCTKABGEFLV	DVD-ROM	
			BATTERY	R6, AA, UM-3		単3乾電池	

* New Parts * 新規部品

1

- SERVICE TOOLS

2

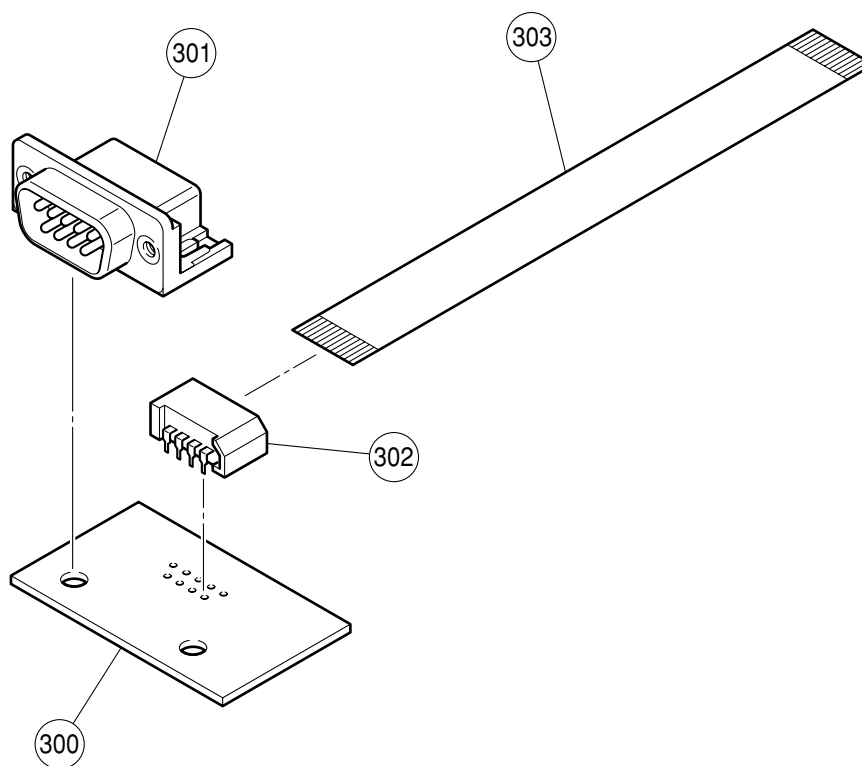
3

4

5

6

7

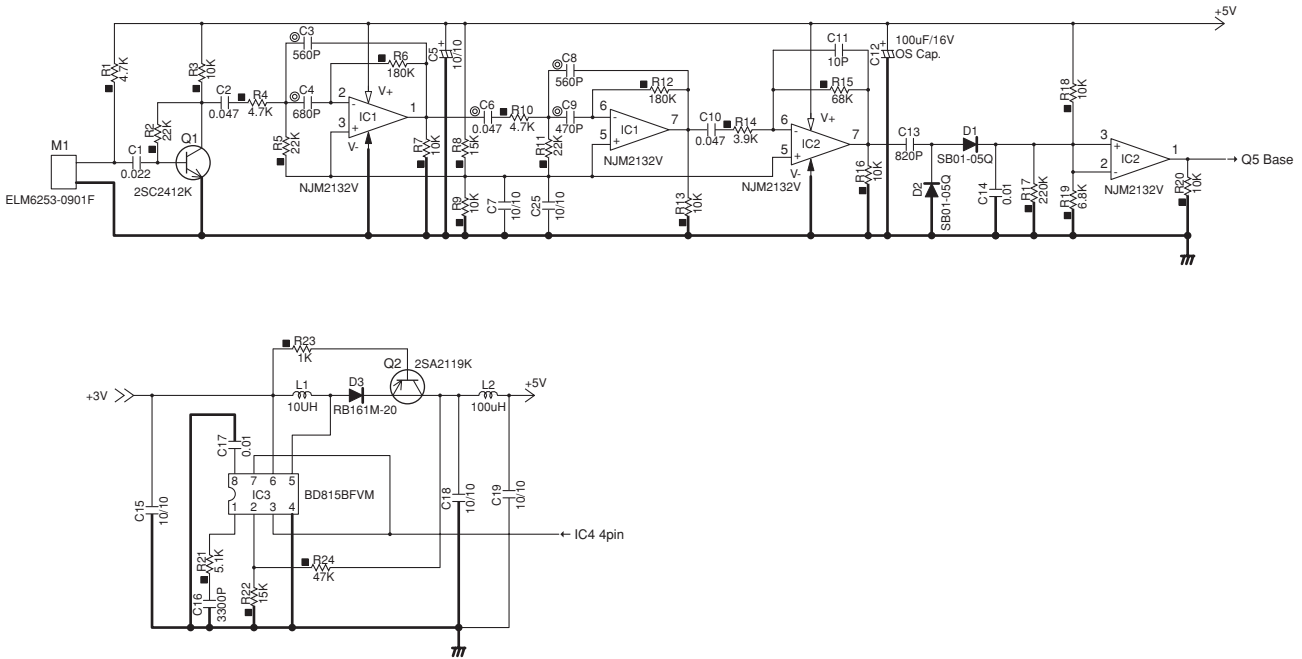
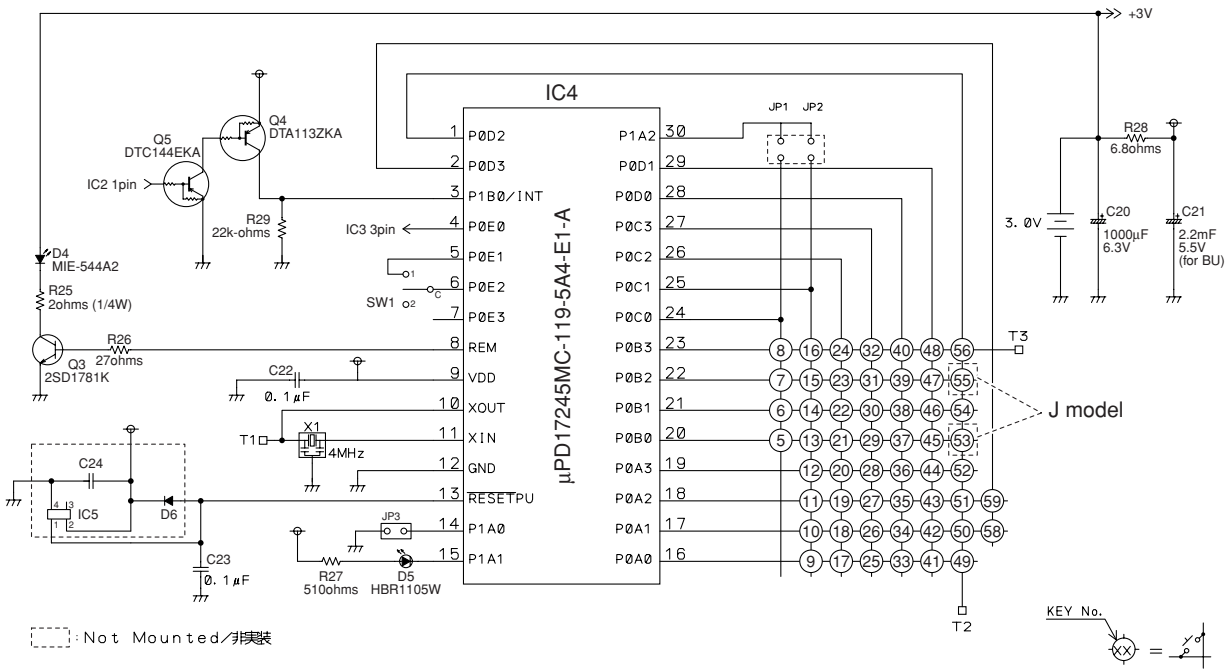


Ref No.	Part No.	Description	Remarks	Markets	部 品 名	ランク
300	AAX74420	P.C.B.	RS-232C	YSP800-RS232C	P C B R S 2 3 2 C	07
301	V6509500	SOCKET CONNECTOR	9P SE 3170		コネクターソケット	04
302	V0044400	CONNECTOR BASE PIN	9P		F F Cコネクター	01
303	MF109140	FLEXIBLE FLAT CABLE	9P 140mm P=1.25		カード電線	01

REMOTE CONTROL

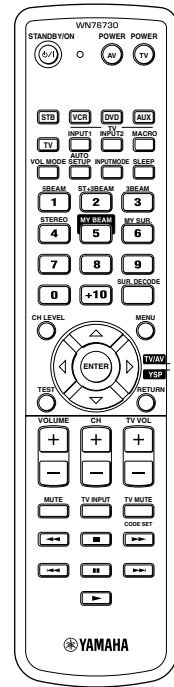
SCHEMATIC DIAGRAM

YSP-600/HTY-760

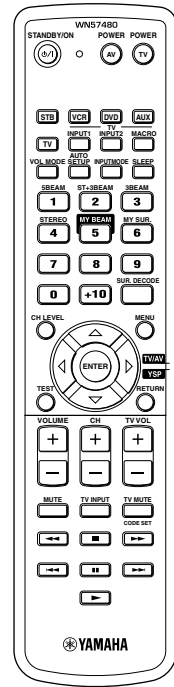


• PANELS

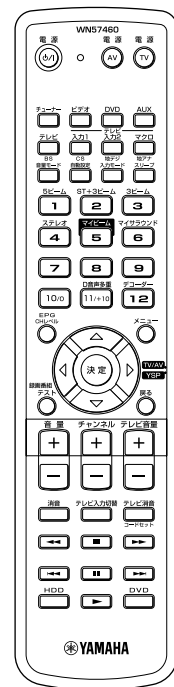
YSP-600
(U model)



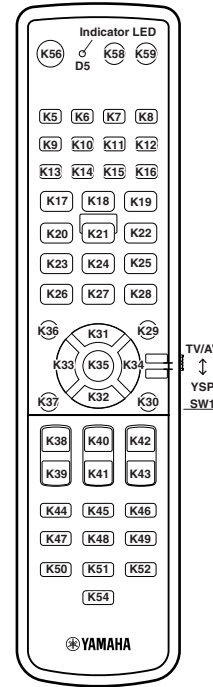
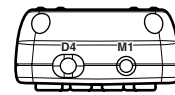
YSP-600
(C, T, K, A,
B, G, E, F, L, V models)
HTY-760
(B, G, E, F models)



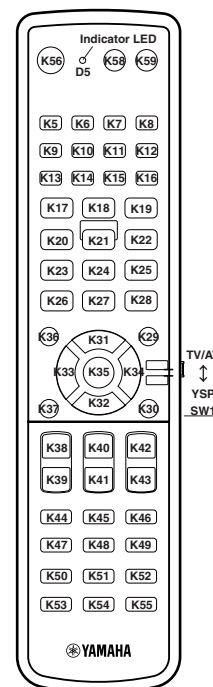
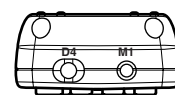
YSP-600
(J model)



Key layout



Key layout



• KEY CODE

Key no.	Label		YSP	Operation at SW1=ON (TV/AV mode)										
	U, C, T, K, A, B, G, E, F, L, V models	J model		9					5	6	7	8		
K5	STB	チューナー	78-DF	78-DF is transmitted.										
K6	VCR	ビデオ	78-49	78-49 is transmitted.										
K7	DVD	DVD	78-4A	78-4A is transmitted.										
K8	AUX	AUX	78-DE	78-DE is transmitted.										
K9	TV	テレビ	78-DF	78-DF is transmitted.										
			Key No. Label Library Default	TV					STB	VCR	DVD	AUX		
				FIX/TV					Free	Free	Free	Free		
				H 206					Excluding 206	—	M 399	P1 699	P2 748	
				K13 BS	K14 CS	K15 DIGITAL (Default)	K16 ANALOG							
K10	TV INPUT1	テレビ入力1	→	→	→	50-21	←	INPUT1	←	←	←	←		
K11	TV INPUT2	テレビ入力2	→	→	→	50-22	←	INPUT2	←	←	←	←		
K12	TV MACRO	テレビマクロ	(—)	→	→	—	←	—	—	—	—	—		
K13	VOL MODE	音量モード	78-8A	→	→	56-49	←	BS	—	—	BS	—		
K14	AUTO SETUP	自動調整	78-A3	→	→	56-4C	←	CS	—	—	CS	—		
K15	INPUT MODE	入力モード	78-8D	→	→	56-4A	←	Digital tuner	—	—	Digital tuner	—		
K16	SLEEP	スリープ	78-4F	→	→	50-0A	←	Analog tuner	—	—	Analog tuner	—		
K17	1 / 5BEAM	1 / 5ビーム	78-C2	56-0D	56-61	56-71	50-0D	"1"	"1"	"1"	"1"	"1"		
K18	2 / ST+3BEAM	2 / ST+3ビーム	78-C3	56-0E	56-62	56-72	50-0E	"2"	"2"	"2"	"2"	"2"		
K19	3 / 3BEAM	3 / 3ビーム	78-C4	56-0F	56-63	56-73	50-0F	"3"	"3"	"3"	"3"	"3"		
K20	4 / STEREO	4 / ステレオ	78-50	56-1C	56-64	56-74	50-1C	"4"	"4"	"4"	"4"	"4"		
K21	5 / MY BEAM	5 / マイビーム	78-C5	56-1D	56-65	56-75	50-1D	"5"	"5"	"5"	"5"	"5"		
K22	6 / MY SUR.	6 / マイサラウンド	78-C6	56-1E	56-66	56-76	50-1E	"6"	"6"	"6"	"6"	"6"		
K23	7	7		56-1F	56-67	56-77	50-1F	"7"	"7"	"7"	"7"	"7"		
K24	8	8		56-04	56-68	56-78	50-04	"8"	"8"	"8"	"8"	"8"		
K25	9	9		56-05	56-69	56-79	50-05	"9"	"9"	"9"	"9"	"9"		
K26	0	0		56-0C	56-60	56-70	50-06	"10"/"0"	"0"	"0"	"10"/"0"	"0"		
K27	+10	+10	78-A5	56-06	56-6A	56-7A	50-07	"11"/"+10"	—	—	"11"/"+10"	—		
K28	SUR. DECODE	12 / デコーダー	78-99	56-07	56-6B	56-7B	50-0C	"12"/"—"	—	—	"12"/"—"	—		
K29	MENU	メニュー	78-9D	→	→	50-53	←	"MENU"	("MENU")	—	"MENU"	—		
K30	RETURN	戻る	78-C0	→	→	50-A3	←	"RETURN"	—	—	"RETURN"	—		
K31	▲ (UP)	▲	78-8E	→	→	50-70	←	"↑"	("↑")	—	"↑"	—		
K32	▼ (DOWN)	▼	78-8F	→	→	50-71	←	"↓"	("↓")	—	"↓"	—		
K33	◀ (LEFT)	◀	78-9F	→	→	50-73	←	"←"	("←")	—	"←"	—		
K34	▶ (RIGHT)	▶	78-9E	→	→	50-72	←	"→"	("→")	—	"→"	—		
K35	ENTER	決定	78-C1	→	→	50-33	←	"SELECT"	("SELECT")	—	"SELECT"	—		
K36	CH LEVEL	CH レベル	78-48	→	→	56-41	←	EPG	—	—	EPG	—		
K37	TEST	テスト	78-5F	→	→	56-32	←	—	—	—	Channel list	—		
K38	VOLUME +	音量 +	78-1E	←	←	←	←	←	←	←	←	←		
K39	VOLUME -	音量 -	78-1F	←	←	←	←	←	←	←	←	←		
K40	CH +	チャンネル +	→	→	→	50-19	←	"CH UP"	"CH UP"	"CH UP"	"CH UP"	"CH UP"		
K41	CH -	チャンネル -	→	→	→	50-18	←	"CH DOWN"	"CH DOWN"	"CH DOWN"	"CH DOWN"	"CH DOWN"		
K42	TV VOL +	テレビ音量 +	→	→	→	50-12	←	TV "VOL UP"	—	—	—	—		
K43	TV VOL -	テレビ音量 -	→	→	→	50-15	←	TV "VOL DOWN"	—	—	—	—		
K44	MUTE	消音	78-9C	←	←	←	←	←	←	←	←	←		
K45	TV INPUT	テレビ入力切替	→	→	→	50-09	←	TV "INPUT SEL"	—	—	—	—		
K46	TV MUTE / CODE SET	テレビ消音 / コードセット	→	→	→	50-0B	←	TV "MUTE"	—	—	—	—		
				The equipment of TV, STB, DVD, VCR, and AUX is set. Effective of the state of SW1.					←	←	←	←		
K47	◀◀	◀◀	→	→	→	56-21	←	—	—	REW	REW	—		
K48	■ (STOP)	■ (STOP)	→	→	→	56-23	←	—	—	STOP	STOP	—		
K49	▶▶	▶▶	→	→	→	56-22	←	—	—	FF	FF	—		
K50	◀◀	◀◀	→	→	→	56-30	←	—	—	—	◀◀	—		
K51	▢ (PAUSE)	▢ (PAUSE)	→	→	→	56-24	←	—	—	Pause	Pause	—		
K52	▶▶	▶▶	→	→	→	56-37	←	—	—	—	▶▶	—		
K53	—	HDD	→	→	→	50-A4	←	—	—	HDD	—	—		
K54	◀ (PLAY)	◀ (PLAY)	→	→	→	56-20	←	—	—	PLAY	PLAY	—		
K55	—	DVD	→	→	→	50-AC	←	—	—	DVD	—	—		
K56	STANDBY/ON	電源	78-CC	←	←	50-AC	←	←	←	←	←	←		
K58	AV / POWER	AV / 電源	→	POWER of select mode immediately before.					—	POWER	POWER	POWER	POWER	
K59	TV / POWER	TV / 電源	→	TV "POWER"	→	50-17	←	—	—	—	—	—		

Adjusting the system parameters

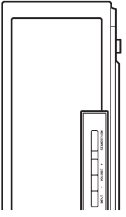
This unit has additional menus that are displayed in the front panel display. These menus offer additional operations to adjust and customize the way this unit operates.

Note


When "F.PANEL KEY" is set to "F.PANEL: OFF", STANDBY/ON on the front panel is ineffective. Use STANDBY/ON on the remote control instead to adjust the system parameters.

Using the system parameters

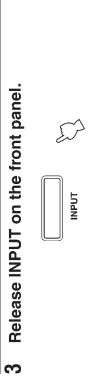
Follow the procedure below to enter the system parameters.

- 

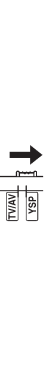
1 Press **STANDBY/ON** on the remote control to turn off the power of this unit.

STANDBY/ON
- 


2 Press and hold **INPUT** on the front panel and press **STANDBY/ON** on the remote control to turn on the power of this unit. "MEMORY PROTECT" is displayed in the front panel display.

STANDBY/ON
- 


3 Release **INPUT** on the front panel.

INPUT
- 

4 Set the operation mode selector to YSP.

TV/AV YSP
- 

5 Use \triangle / ∇ to select the parameter to be set, then press **ENTER**. See the table for the types of parameters.

ENTER
- 

6 Use \triangle / ∇ to select and change the parameter setting. See the table for the parameter settings.

ENTER

- 1 Press **STANDBY/ON** on the remote control to turn off the power of this unit.

STANDBY/ON



Adjusting the system parameters

Parameter to be changed and front panel display	Parameter settings
MEMORY PROTECT You can protect the settings you saved in the system memory of this unit from being accidentally erased or unwantedly changed.	ON, OFF MEMORY PROTECT
MAX VOLUME You can set the maximum volume level so that this unit will not output sound beyond the limited volume level.	MAX. 99 to 01, MIN Control step: 1 MAX VOLUME SET
TURN ON VOLUME You can set the initial volume level when the power of this unit is turned on.	MAX. 99 to 01, OFF Control step: 1 TURN ON VOLUME
DEMO MODE You can test the sound beam output from this unit to experience the sound beam.	ON, OFF DEMO MODE
PANEL INP. KEY You can disable the INPUT on the front panel when you adjust the system parameters.	ON, OFF PANEL INP. KEY
Disabling the front panel keys You can disable the front panel keys except when you adjust the system parameters.	ON, OFF F. PANEL KEY
FACTORY PRESET You can reset all of the parameters of this unit to the factory presets. This procedure completely resets ALL the parameters in SET MENU.	RESET, CANCEL FACTORY PRESET

Note

After performing the following procedure you must run AUTO SETUP again to match your surround sound environment.

- 7 Press **STANDBY/ON** on the remote control to set this unit to the standby mode.

STANDBY/ON



The new setting will be activated when you turn on the power of this unit next time.

*:

When the demo mode is turned on, restart the unit, then press **ENTER** while playing back sources to test the sound beam. The sound beam being output alternates between left and right. Press **ENTER** again to stop shuttling.

ADVANCED OPERATION

English

拡張メニューを設定する

各種設定を保護したり、工場出荷状態に戻したりします。

- 4 **TV/AV/YSPスイッチをYSP側にスライドさせる**
リモコンがYSPモードに切り替わります。

TV/AV YSP

- 5 \triangle / ∇ キーを押して、設定したいメニューをフロントパネルディスプレイに表示させ、決定キーを押す

決定

- 6 \triangle / ∇ キーを押して、設定したい項目/指定したい値をフロントパネルディスプレイに表示させる

表示例：[DEMO MODE]を選んだ場合
DEMO MODE

- 1 本機の電源をオフ(スタンバイ)にする

電源



- 2 本体の**INPUT**キーを押しながら、リモコンの**電源**キーを押して電源を入れる

電源

押しながら
INPUT

フロントパネルディスプレイに「MEMORY PROTECT」と表示されます。



- 3 **INPUT**キーをはなす

INPUT



- 7 **リモコンの電源キーを押して、電源をスタンバイにする**
再度電源キーを押して電源を入れると、設定されます。

電源

- **メニューの設定内容を保護する**

メモリー保存した設定の内容を変更できないようにします。「拡張メニューの操作手順」の手順5で「MEMORY PROTECT」を表示させ、手順6で「PROTECT: ON」(設定内容を保護したい場合)を選択してください。

MEMORY PROTECT

選択項目：
PROTECT: OFF, PROTECT: ON

- **音量の最大値を設定する**

本機の音量を、指定した値より大きくできないように設定します。「拡張メニューの操作手順」の手順5で「MAX VOLUME SET」を表示させ、手順6で値を設定してください。

MAX VOLUME SET

調整範囲：
MIN(最小)、01~99、MAX(最大)

- **電源を入れたときの音量を固定する**

本機の電源をオンにしたときの音量を、常に指定した値になるように設定します。「拡張メニューの操作手順」の手順5で「TURN ON VOLUME」を表示させ、手順6で値を設定してください。

TURN ON VOLUME

調整範囲：
OFF, 01~99、MAX(最大)

- **デモモードで再生する**

デモモードでは、ビーム化された音声チャンネルで出力し、水平に動作(スイープ)させます。これにより、本機からビームがどのように出カされているか体感できます。「拡張メニューの操作手順」の手順5で「DEMO MODE」を表示させ、手順6で「DEMO: ON」(デモモードで再生したい場合)を選択してください。

DEMO MODE

選択項目：
DEMO: OFF, DEMO: ON

- **フロントパネルのINPUTキー操作を無効にする**

フロントパネルのINPUTキーを押しても、入力がかわらないようにします。「拡張メニューの操作手順」の手順5で「PANEL INP. KEY」を表示させ、手順6で「P. INPUT: OFF」(フロントパネルのINPUTキー操作を無効にしたい場合)を選択してください。

PANEL INP. KEY

選択項目：
P. INPUT: ON, P. INPUT: OFF

本機について

設置・接続する

準備する

設定する

基本操作

応用操作

付録

拡張メニューを設定する

調整範囲：
OFF, 01~99、MAX(最大)

拡張メニューを設定する

● フロントパネルキー操作を無効にする

拡張メニュー以外の操作をフロントパネルキーでできないようにします。「拡張メニューの操作手順」の手順5で「F.PANEL KEY」を表示させ、手順6で「F.PANEL: OFF」(フロントパネルキー操作を無効にしたい場合)を選択してください。

F. PANEL KEY

選択項目：
F.PANEL:ON、 F.PANEL:OFF

● 設定した内容を初期化する

各種設定をすべて工場出荷状態に戻します。「拡張メニューの操作手順」の手順5で「FACTORY PRESET」を表示させ、手順6で「PRESET: RESET」(工場出荷時の状態に戻したい場合)を選択してください。

FACTORY PRESET

選択項目：
PRESET:CANCEL、 PRESET: RESET

YSP-600/HTY-760

